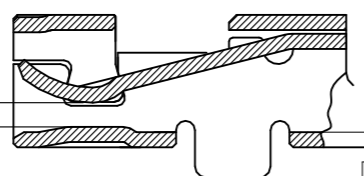
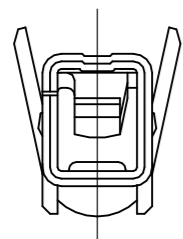
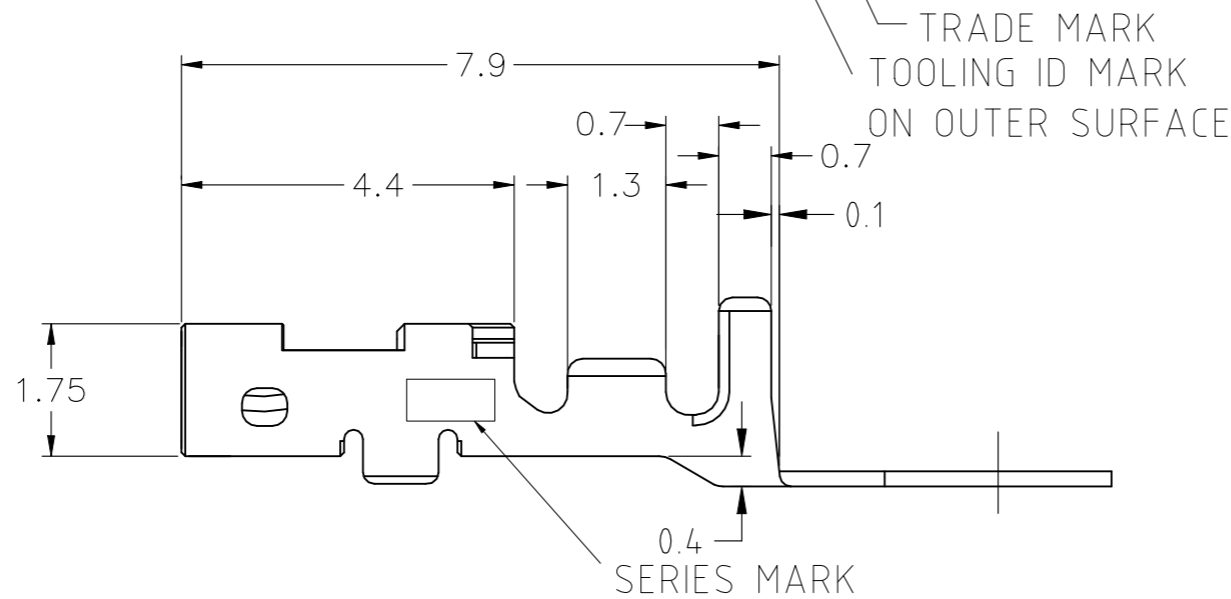
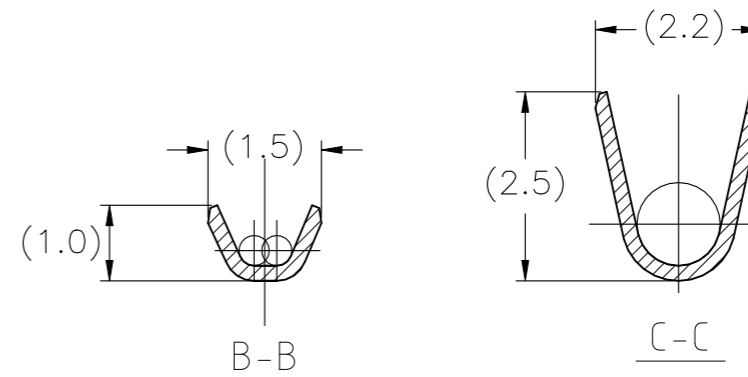
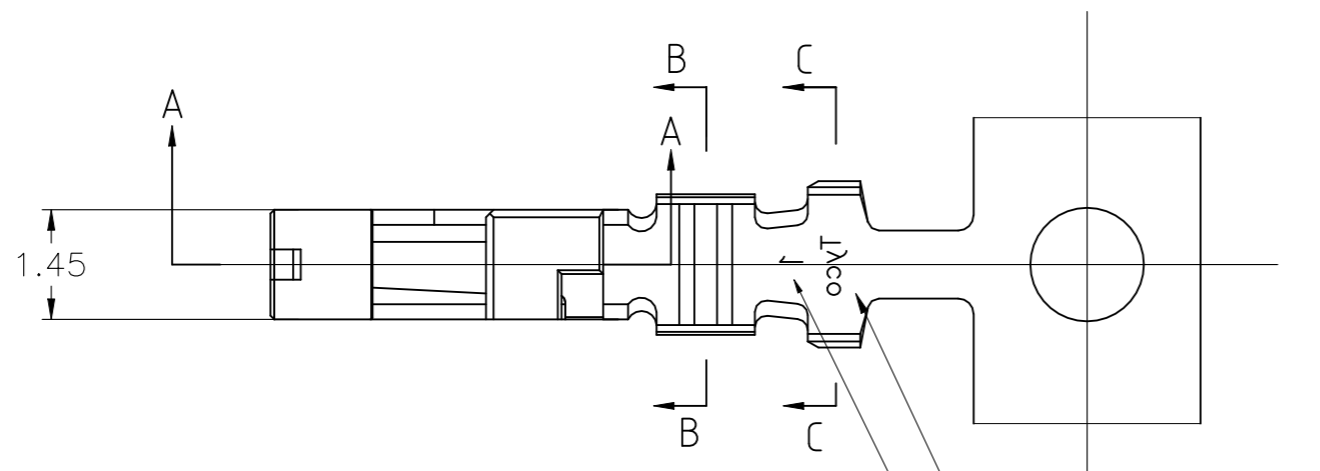


REVISIONS

P	LTR	DESCRIPTION	DATE	DWN	APVD
	F	REVISED PER ECR-22-142637	16JUN2022	RI	TS



MATE WITH 0.5t TAB

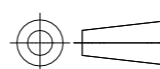
A-A

D S 4	AWG#30~#28 0.05~0.09mm ²	Φ 0.6~Φ 1.2	COPPER ALLOY,FINISH:CONTACT AREA Au 0.2μm MIN,OVER Ni 1.27μm MIN	1827569-4
D S	AWG#30~#28 0.05~0.09mm ²	Φ 0.6~Φ 1.2	COPPER ALLOY,FINISH:CONTACT AREA Au 0.38μm MIN,OVER Ni 1.27μm MIN	1827569-2
SERIES MARK	WIRE RANGE	INSULATION DIA	MATERIAL	PART No.

THIS DRAWING IS A CONTROLLED DOCUMENT.

DIMENSIONS:
単位: 耗
mm

TOLERANCES UNLESS
OTHERWISE SPECIFIED:
一般公差



0	PLC	± 0.3
1	PLC	±
2	PLC	±
3	PLC	±
4	PLC	±
ANGLES		± 3deg

MATERIAL
材料

FINISH
仕上

DWN	T.KUDO	04MAR2005
CHK	D.MITSUGI	04MAR2005
APVD	D.MITSUGI	04MAR2005
PRODUCT SPEC	108-78268	
APPLICATION SPEC	114-5377	
WEIGHT	0	



NAME
名称
DYNAMIC D1000 SERIES
REC CONTACT (S TYPE) REEL

SIZE	CAGE CODE	DRAWING NO 番号	RESTRICTED TO
A3	00779	C-1827569	-

CUSTOMER DRAWING

SCALE
尺度 10:1

SHEET
1 OF 1

REV
F