

THIS DRAWING IS UNPUBLISHED.
 DIFFUSION RESTREINTE
 © COPYRIGHT 20 BY TYCO ELECTRONICS CORPORATION. ALL RIGHTS RESERVED.
 TOUS DROITS RESERVES

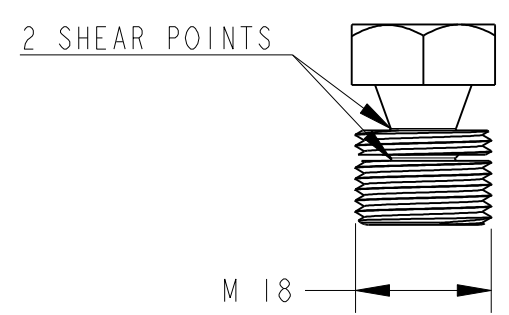
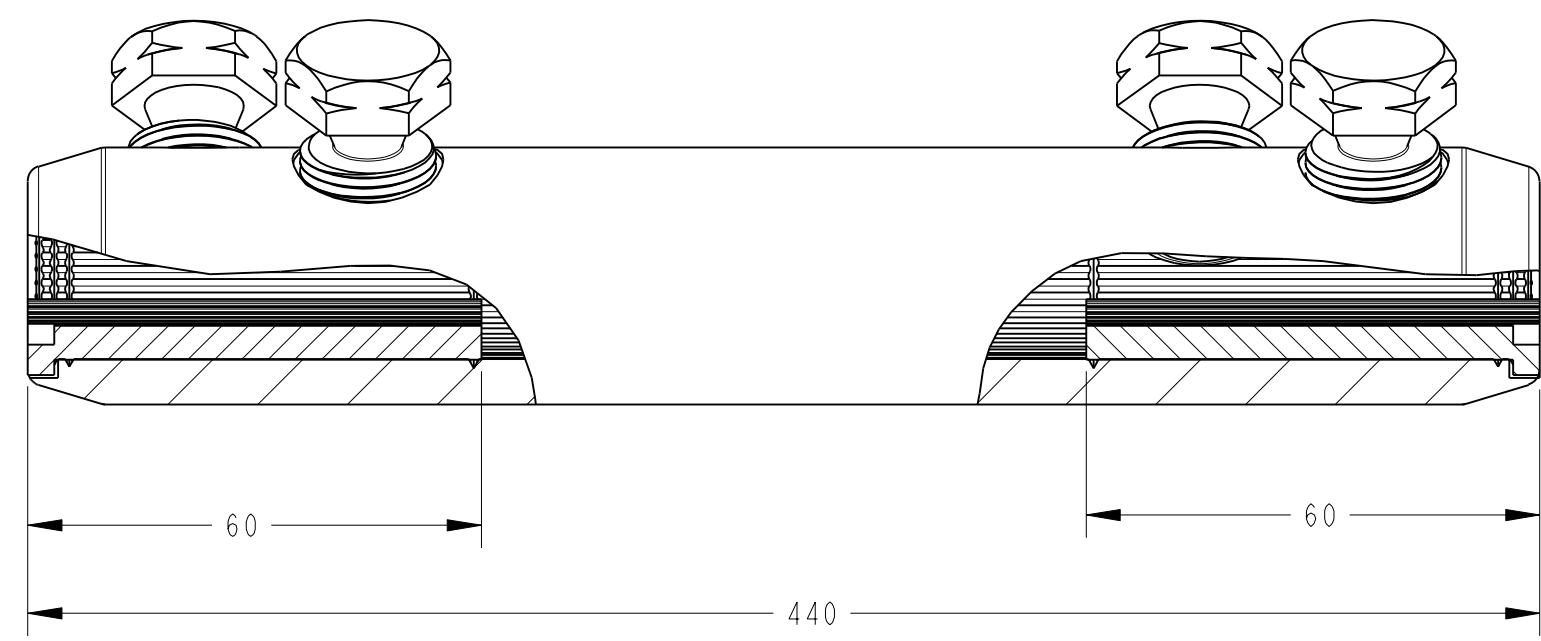
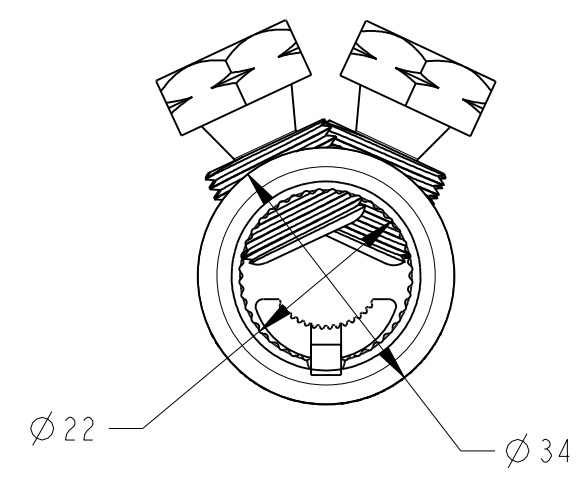
RELEASED FOR PUBLICATION
 LIBRE A LA DIFFUSION
 20

LOC DIST
 FH 2

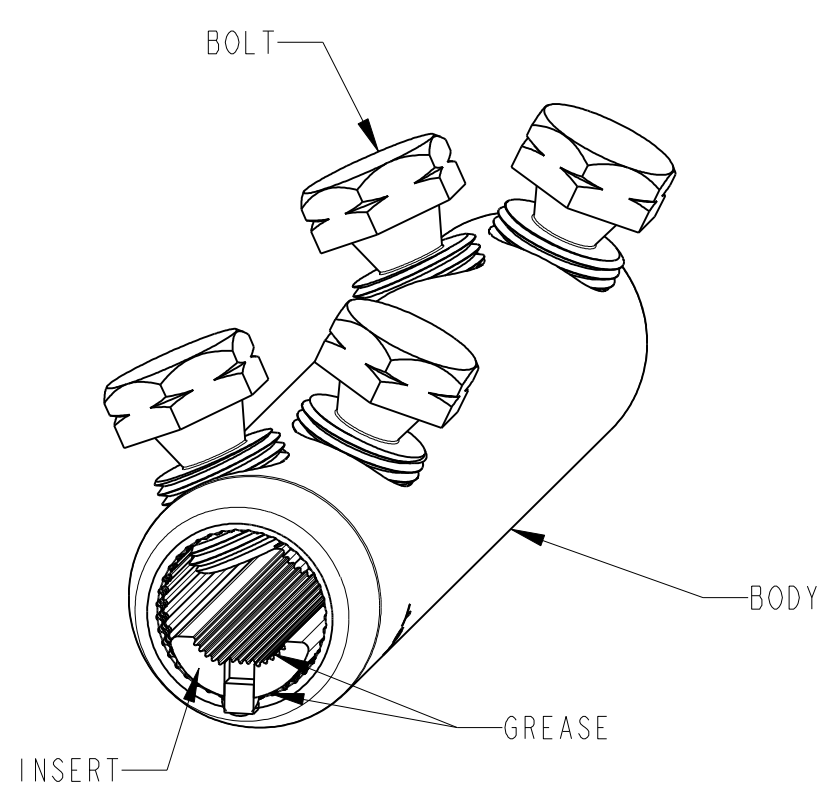
REVISIONS

P	LTR REV	DESCRIPTION MODIFICATIONS	DATE	DWN DESS.	APVD APP.
	0	CREATION	14OCT2004	NA	AD

DESCRIPTION	PART NUMBER	RPN
BSMU-95/240-34-L440	7-1201756-1	F90026-000



		AL				CU	
		RM ROUND STRANDED	RE ROUND SOLID	SM SECTOR STRANDED	SE SECTOR SOLID	RM ROUND STRANDED	SM SECTOR STRANDED
CONDUCTOR CROSS-SECTION QUERSCHNITTSBEREICH	mm ²	95 - 240	95 - 240	95 - 150 185-240 with rounding	95 - 185	95 - 240	95 - 150 185-240 with rounding
CONDUCTOR DIAMETER LEITERDURCHMESSER	mm	Ø 11 - Ø 20.8	Ø 10.5 - Ø 18	-	-	Ø 11 - Ø 19.2	-



TOLERANCES UNLESS OTHERWISE SPECIFIED:
 TOLERANCES NON SPECIFIEES: -

THIS DRAWING IS A CONTROLLED DOCUMENT FOR TYCO ELECTRONICS CORPORATION IT IS SUBJECT TO CHANGE AND THE CONTROLLING ENGINEERING ORGANIZATION SHOULD BE CONTACTED FOR THE LATEST REVISION. CE PLAN EST UN DOCUMENT CONTROLE PAR TYCO ELECTRONICS CORPORATION IL EST SUSCEPTIBLE D'ETRE REVISE. CONTACTER LE SERVICE TECHNIQUE POUR OBTENIR LA DERNIERE REVISION.		DWN/DESSINE 14OCT2004 N. ALMEIDA CHK/VERIFIE - R. BUTHIOT APVD/APPROUVE - A. DUPONT		tyco Electronics SIMEL 21220 Gevrey-Chambertin, FRANCE	
DIMENSIONS: mm 		TOLERANCES UNLESS OTHERWISE SPECIFIED: TOLERANCES NON SPECIFIEES (SUIV NB DE DECIMALES): 0 PLC/DEC: ±0 1 PLC/DEC: ±0 2 PLC/DEC: ±0 3 PLC/DEC: ±0 4 PLC/DEC: ±0 ANGLES ±		NAME TITRE - PRODUCT SPEC SPEC. PRODUIT - APPLICATION SPEC SPEC. APPLICATION -	
MATERIAL MATIERE AL ALLOY		FINISH FINITION TINNED		WEIGHT MASSE APPROX. 350 g SIZE FORMAT A3 CAGE CODE 00779 DRAWING NO No PLAN C=1830143	
CUSTOMER DRAWING /PLAN CLIENT				UNIFORMEMENT POUR REFERENCE SCALE ECHELLE : SHEET FEUILLE OF DE REV 0	