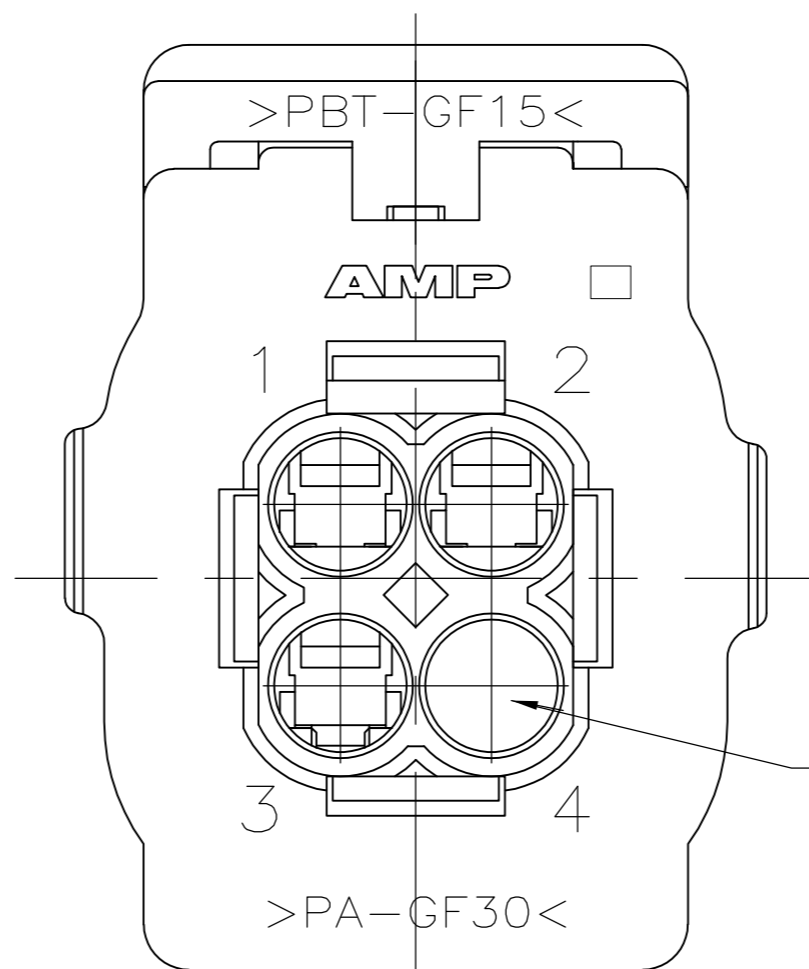
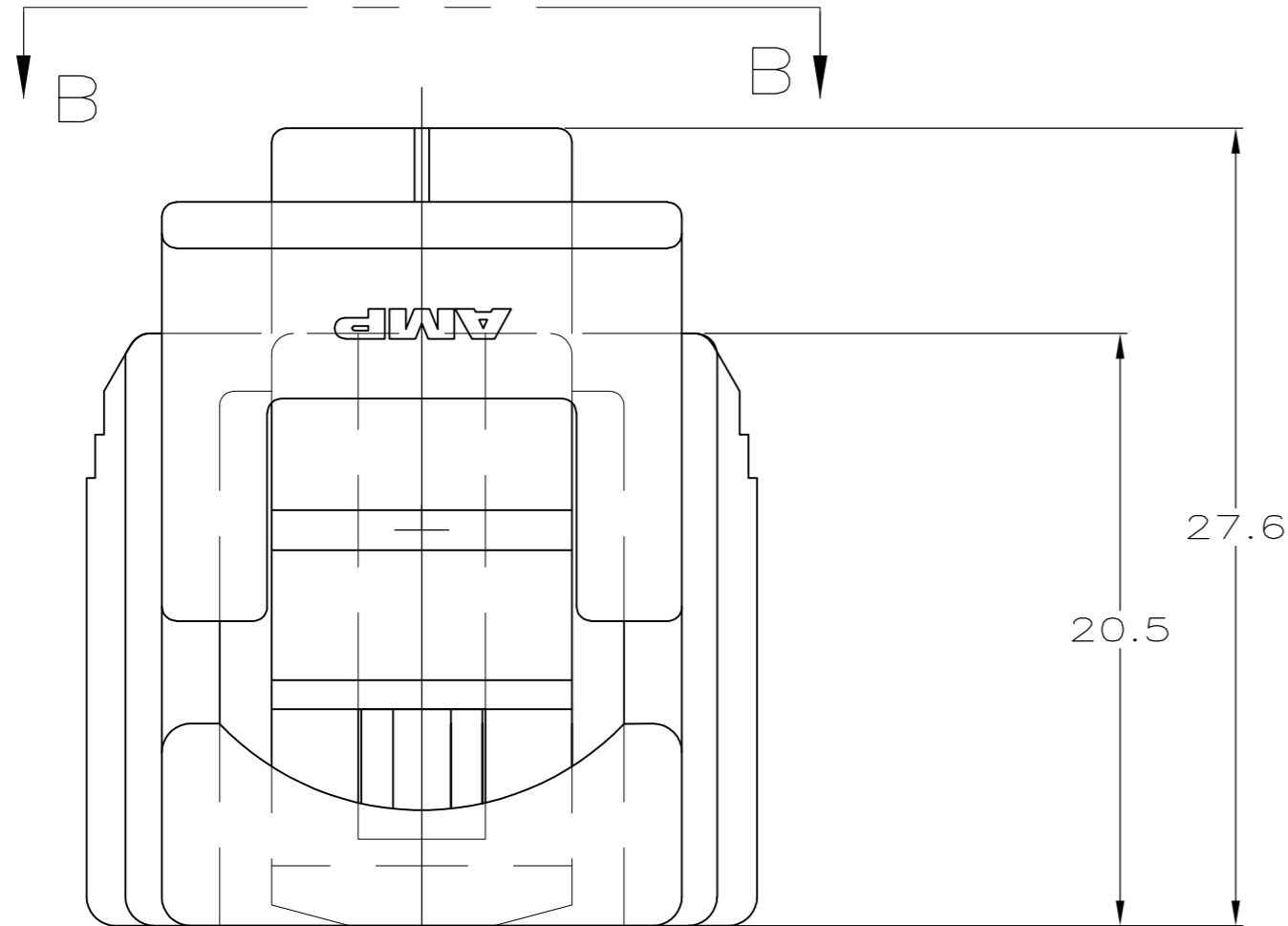
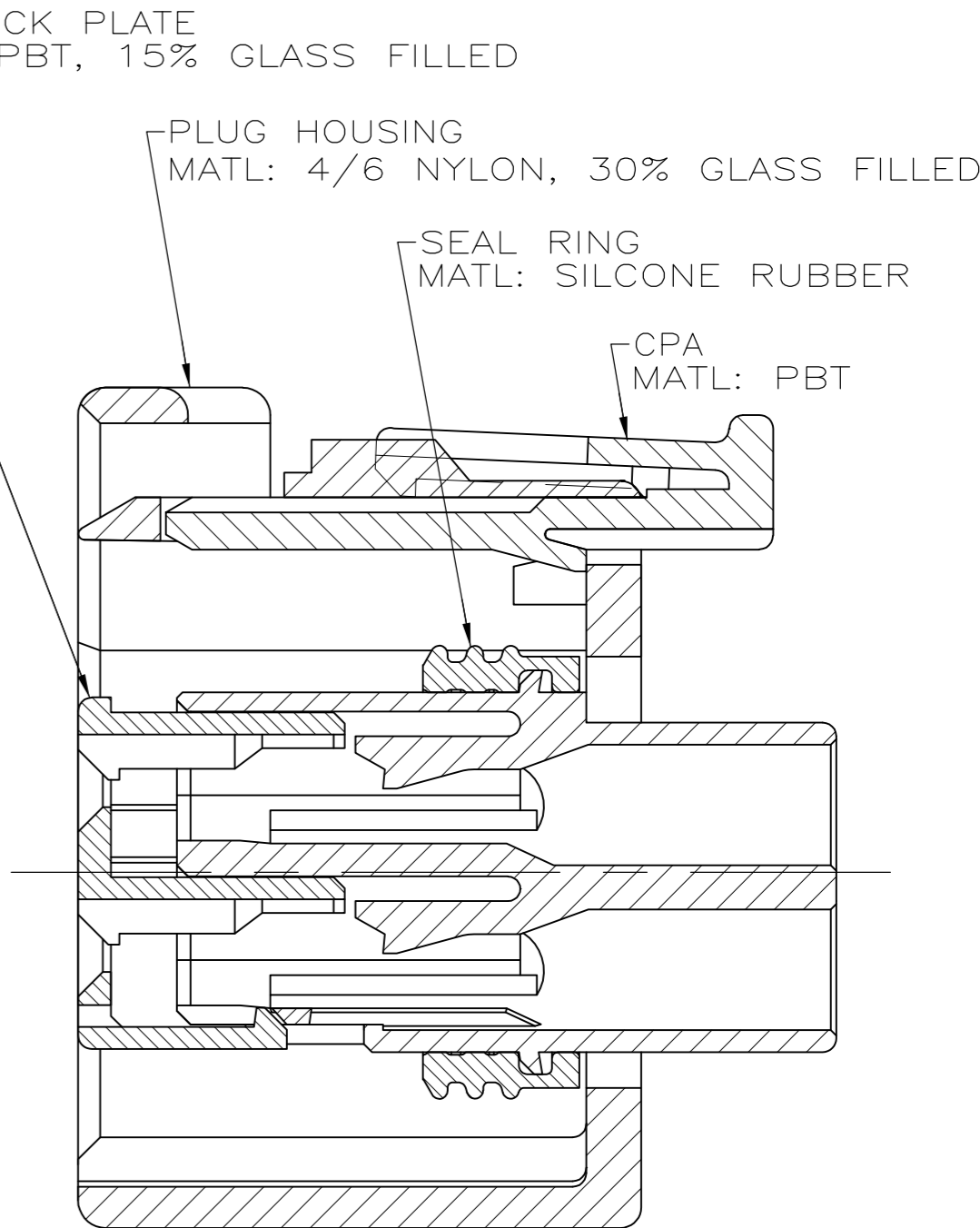
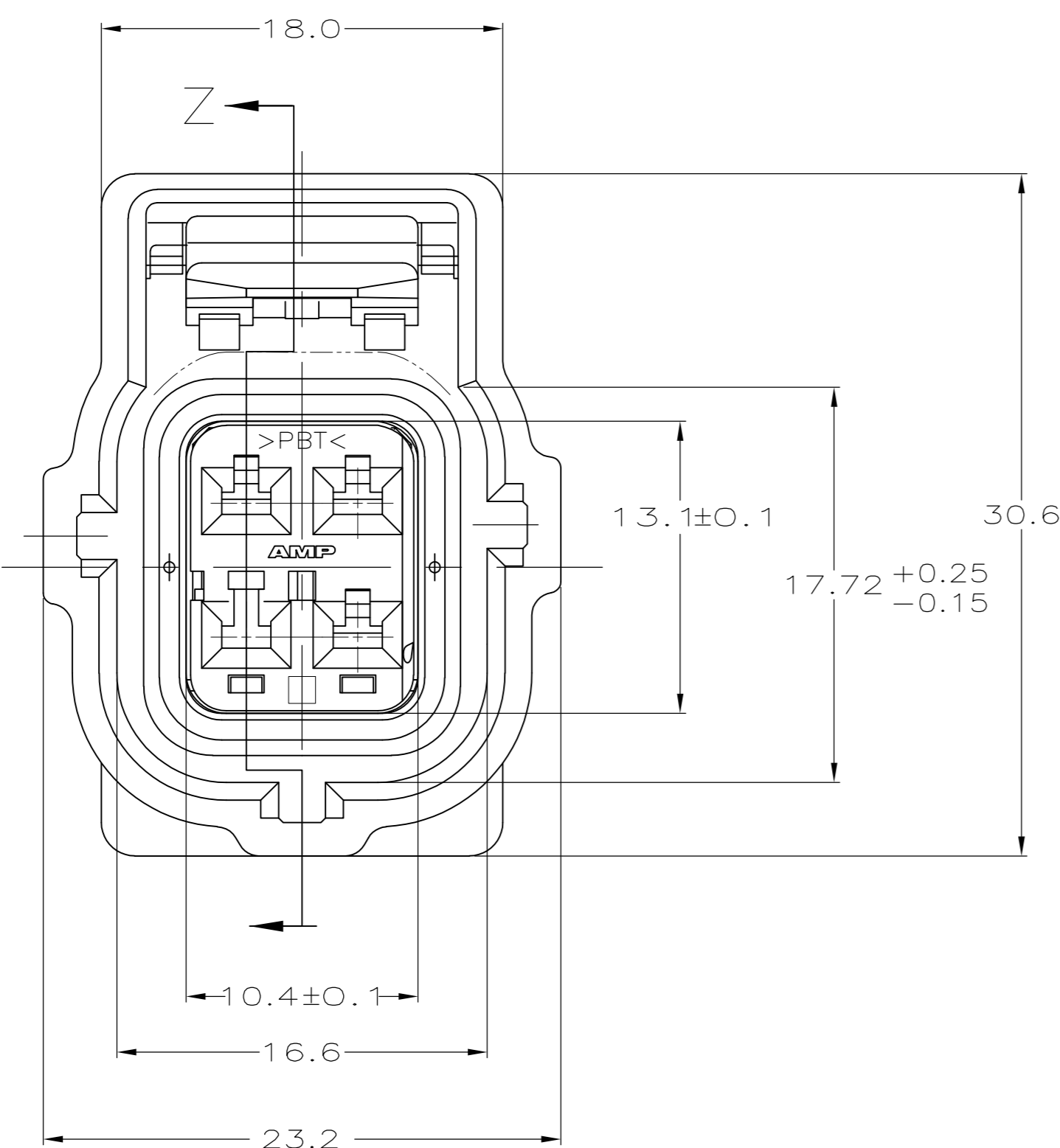


THIS DRAWING IS UNPUBLISHED. RELEASED FOR PUBLICATION
 © COPYRIGHT BY TYCO ELECTRONICS CORPORATION. ALL INTERNATIONAL RIGHTS RESERVED.

LOC	DIST	REVISIONS					
GE	00	P	LTR	DESCRIPTION	DATE	DWN	APVD
		D		REVISED PER ECO-09-008507	09APR2009	DD	MB



VIEW B-B



SECTION Z-Z

BLACK	184340-1
PLUG COLOR	PART NUMBER

THIS DRAWING IS A CONTROLLED DOCUMENT.		DWN KD LYTLE 05NOV99	Tyco Electronics Corporation Harrisburg, PA 17105-3608	
DIMENSIONS: mm		CHK M HUDDLESTON 05NOV99	NAME	
TOLERANCES UNLESS OTHERWISE SPECIFIED:		APVD M HUDDLESTON 05NOV99	PRODUCT SPEC	
0 PLC ± -		APPLICATION SPEC		
1 PLC ± 0.3		WEIGHT		
2 PLC ± 0.15		SCALE		
3 PLC ± -		SHEET		
4 PLC ± -		REV		
ANGLES ± -		CUSTOMER DRAWING		
FINISH		RESTRICTED TO		
-		A2 00779 C=184340		
		SCALE 4:1 SHEET 1 of 1 REV D		