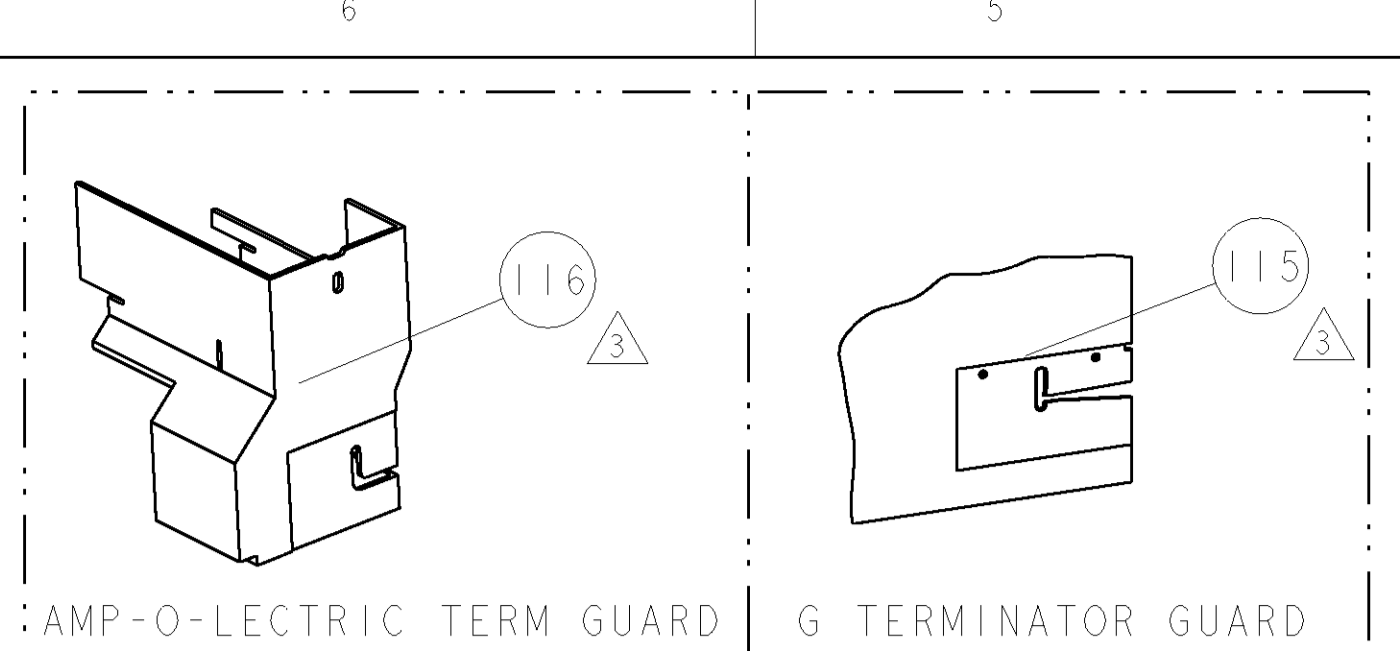


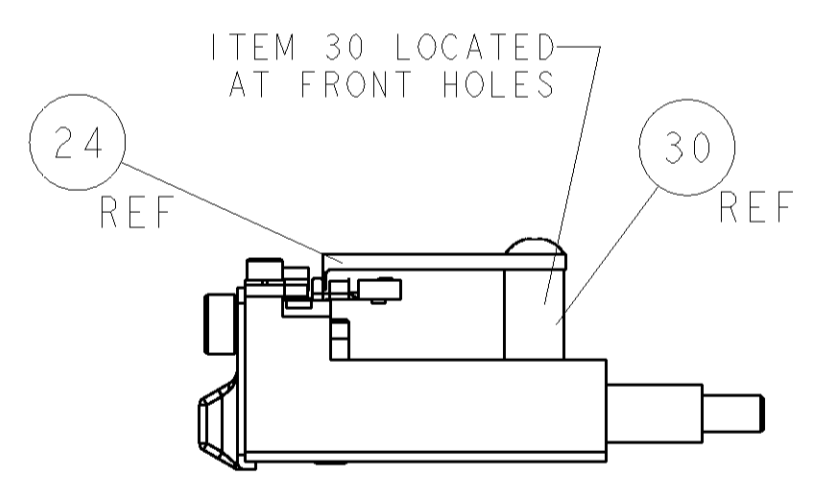
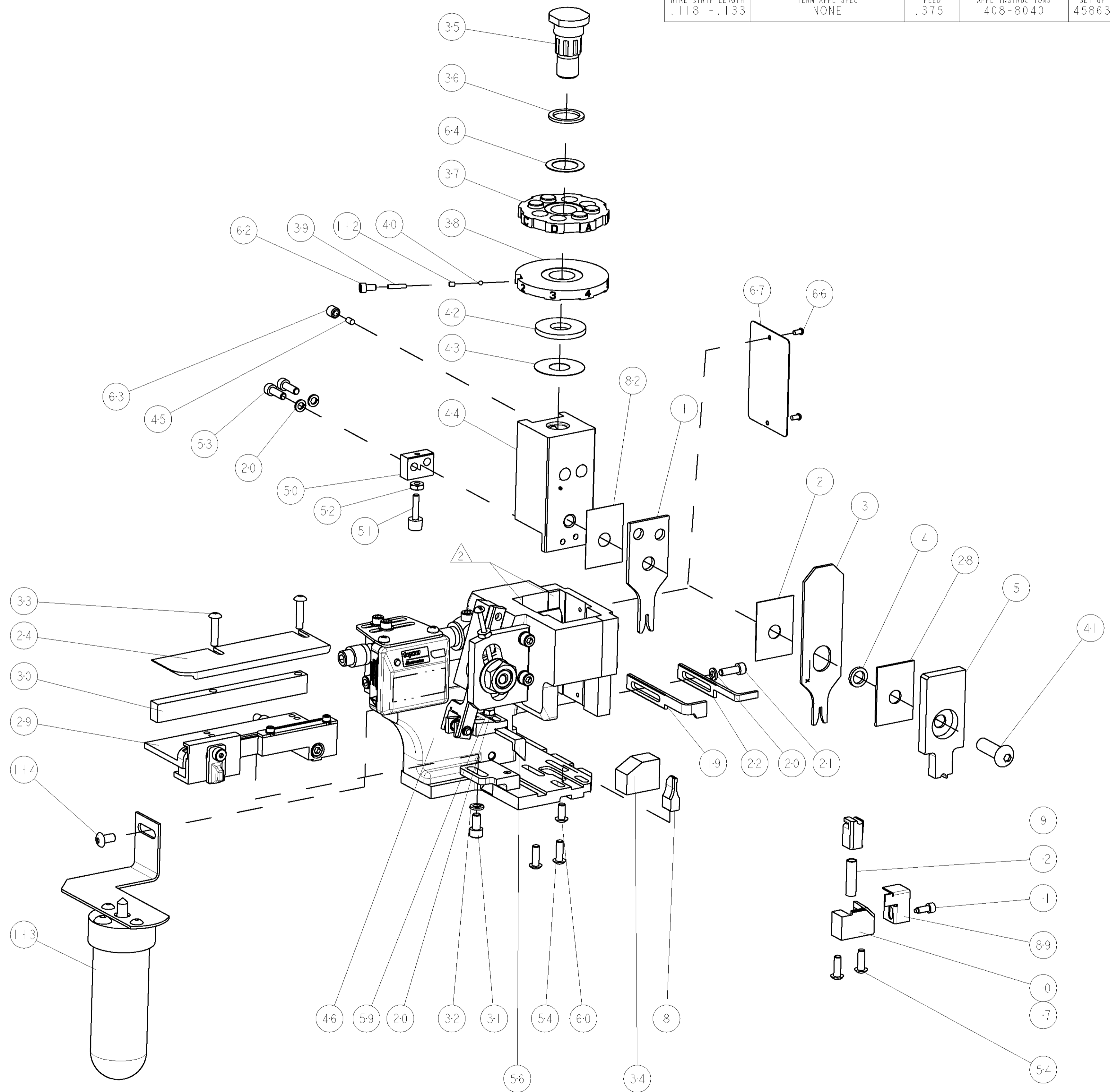
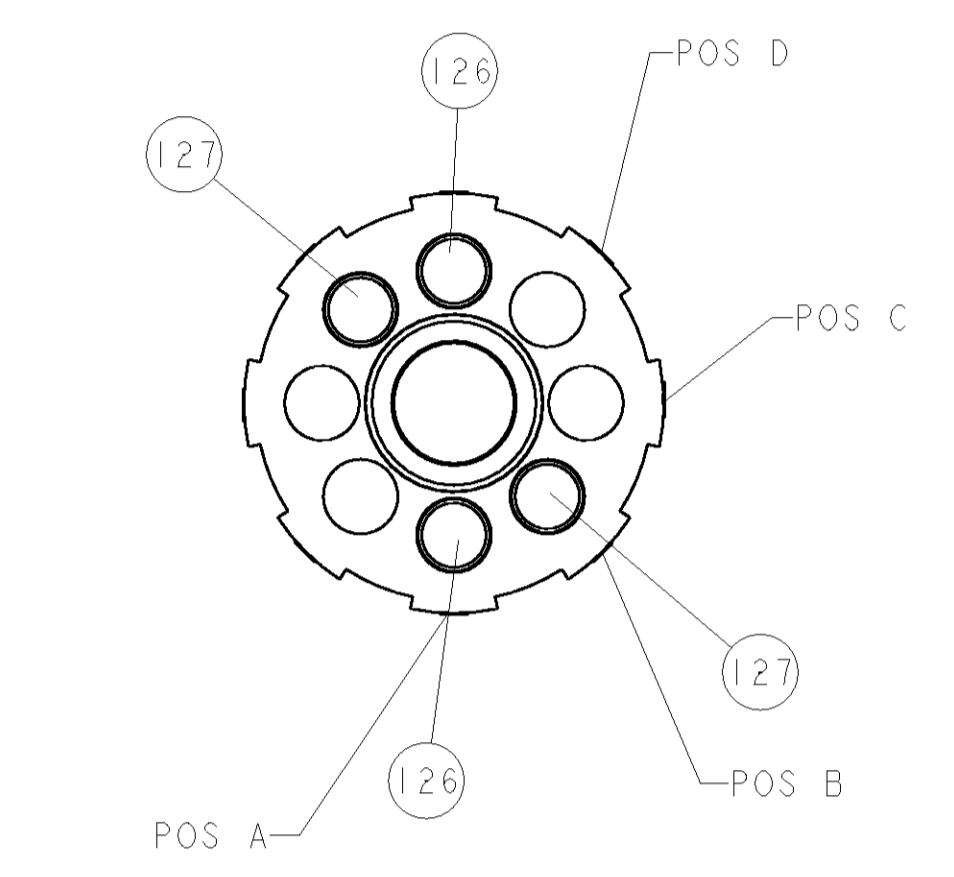
PART NUMBER	REV	FIRST USED	POWER UNIT	FEED TYPE	DESCRIPTION
1852268-1	A	122500-1	LEADMAKER	POST FEED	CUTS CARRIER
1852268-2	A	565435-5	BENCH MODEL K	PRE FEED	CUTS CARRIER
1852268-3	A	354500-1	BENCH MODEL G	PRE FEED	CUTS CARRIER
1852268-6	A	122500-1	LEADMAKER	POST FEED	CONTINUOUS CARRIER
7-1852268-7	A	-	-	-	SPARE PARTS



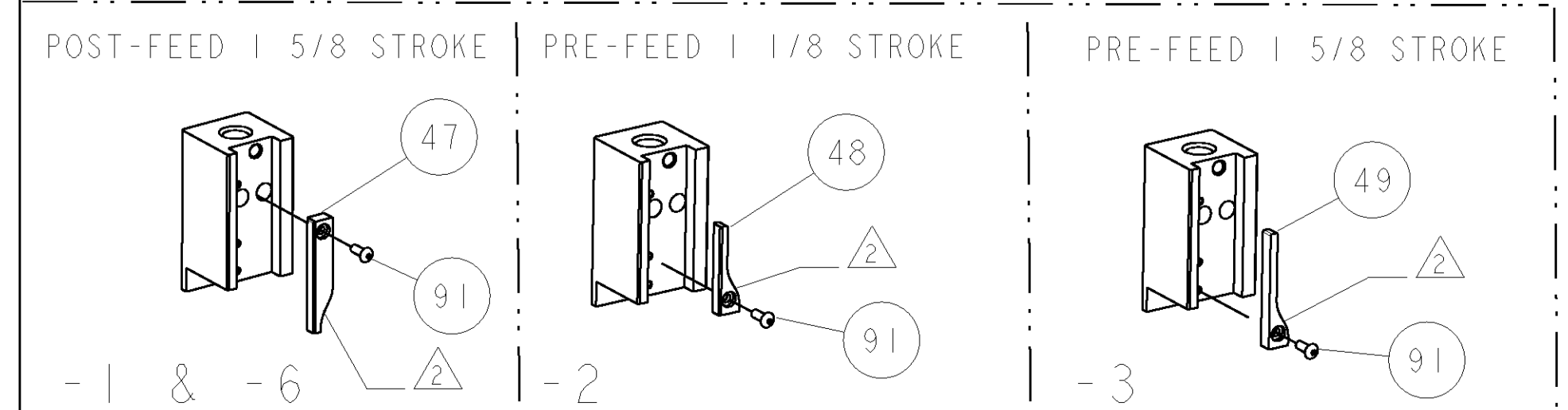
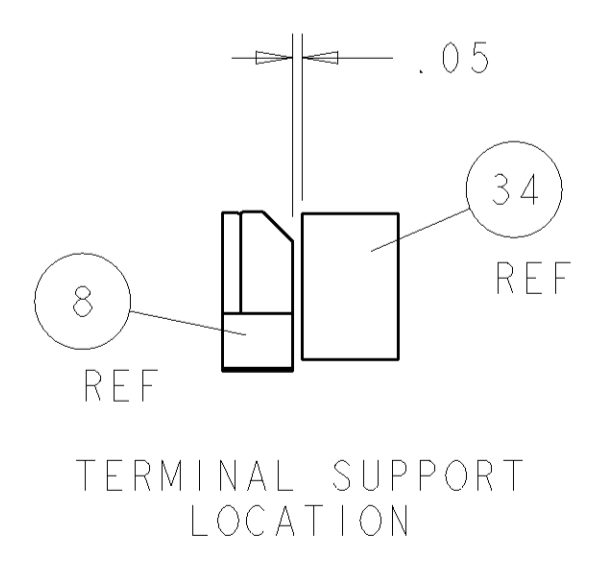
TERMINAL NAME: TERMINAL		JST TERMINAL - AMP CRIMP SPECS	
AMP PN	JST PN	CRIMP HEIGHT	WIRE SIZE
1949051	SHCM-A03T-P025		
-	-	A .042±.002 [1.07±0.05mm]	20 AWG
-	-	B .038±.002 [ .97±0.05mm]	22 AWG
-	-	C -	-
-	-	D -	-
CRIMP	SIZE	TYPE	RANGE
-	-	-	-
-	-	WIRE .062 [1.57mm]	F 22-20 AWG
-	-	INSUL .070 [1.78mm]	F Ø.068 MAX
WIRE STRIP LENGTH	TERM APPL SPEC	FEED	APPL INSTRUCTIONS
.118 - .133	NONE	.375	408-8040
			SET UP GAGE 458637-1

LOC	DIST	REV	DESCRIPTION	DATE	DRN	APPR
A	66		RELEASED	17MAY2006	RK	TE

- △ RECOMMENDED SPARE PARTS
- △ GREASE LIGHTLY
- △ GUARD MUST BE IN PLACE WHEN OPERATING APPLICATOR IN A BENCH MACHINE



FEED TRACK POSITION



QTY	REV	DESCRIPTION	ITEM NO					
-	2	2	2	2	-	5-354779-4	PIN, WIRE DISC, .3260	127
-	2	2	2	2	-	4-354779-6	PIN, WIRE DISC, .3220	126
-	-	-	REF	-	-	455749-1	GUARD WINDOW	116
-	-	-	REF	-	-	679532-1	INSERT, GUARD	115
-	-	-	1	-	-	2-21002-6	SCR, BTN SKT HD CAP 10-32 X .375	114
-	-	-	1	-	-	1-465184-0	LUBRICATOR ASSY	113
-	1	1	1	1	-	690603-1	SPRING ASSIST AMP-O-MATOR APPLICATOR	112
-	1	1	1	1	-	1-21002-7	SCR, BTN SKT HD CAP 6-32 X .375	91
-	1	1	1	1	-	318563-1	GUARD, FRONT CHIP	89
-	1	1	1	1	-	455888-1	SPACER, CRIMPER	82
-	1	1	1	1	-	4088040	SF APPL INST 408-8040	72
-	1	1	1	1	-	217238-1	GENERAL INSTRUCTION PKG	71
-	1	1	1	1	-	461264-1	PLATE, IDENTIFICATION	67
-	2	2	2	2	-	21017-2	SCREW, DRIVE	66
-	1	1	1	1	-	986950-1	WASHER, FLAT PRECISION	64
-	1	1	1	1	-	21009-2	SCR, SET, SELF LOCKING 1/4-20 X .250	63
-	1	1	1	1	-	23030-1	SCR, SKT HD CAP 6-32 X .25	62
-	1	1	1	1	-	22733-8	SCR, BHSC, SELF-LOCKING, 8-32 X .375	60
-	1	1	1	1	-	2-22603-0	SCR, HEX HD CAP 8-32 X .312	59
-	1	1	1	1	-	458537-2	PAWL, FEED	56
-	4	4	4	4	-	2-21002-2	SCR, BTN SKT HD CAP 8-32 X .500	54
-	2	2	2	2	-	2-21000-7	SCR, SKT HD CAP 8-32 X .500	53
-	1	1	1	1	-	21018-5	NUT, HEX, REG 6-32	52
-	1	1	1	1	-	811242-2	BUMPER, HOLD DOWN	51
-	1	1	1	1	-	690753-1	SPACER, TONKER	50
-	-	1	-	-	-	690602-6	CAM, PRE FEED, 1 5/8	49
-	1	-	-	1	-	690501-4	CAM, POST FEED, 1 5/8	47
-	1	1	1	1	-	459456-1	APPL. BASIC SUB ASSY (SIDE WISE MOCA)	46
-	1	1	1	1	-	690191-1	PLUG, NYLON	45
-	1	1	1	1	-	455673-1	RAM, SIDE FEED	44
-	1	1	1	1	-	690125-1	SHIM SUB-ASSY	43
-	1	1	1	1	-	690124-1	WASHER, RAM (.115)	42
-	1	1	1	1	-	7-21002-9	SCR, BTN SKT HD CAP 5/16-24 X 1.00	41
-	1	1	1	1	-	23241-6	BALL, STEEL	40
-	1	1	1	1	-	690170-1	SPRING, COMPRESSION	39
-	1	1	1	1	-	690142-1	DISC, INSULATION	38
-	1	1	1	1	-	354777-1	WIRE DISC, ASSEMBLY	37
-	1	1	1	1	-	22480-5	SPRING, COMPRESSION	36
-	1	1	1	1	-	690212-1	POST, RAM	35
-	1	1	1	1	-	690786-3	TERMINAL SUPPORT	34
-	2	2	2	2	-	2-21002-4	SCR, BTN SKT HD CAP 8-32 X .750	33
-	1	1	1	1	-	21024-5	WASHER, SPRG LOCK, REG NO 10	32
-	1	1	1	1	-	3-21000-4	SCR, SKT HD CAP 10-32 X .375	31
-	1	1	1	1	-	1320908-4	SPACER, STRIP GUIDE	30
-	1	1	1	1	-	1633091-2	ASSEMBLY, STRIP GUIDE	29
-	1	1	1	1	-	1-455888-0	SPACER, CRIMPER	28
-	1	1	1	1	-	1320928-1	PLATE, STRIP GUIDE	24
-	1	-	-	1	-	690472-2	STRIPPER	22
-	1	1	1	1	-	2-21000-7	SCR, SKT HD CAP 8-32 X .500	21
-	4	4	4	4	-	21024-4	WASHER, SPRG LOCK, REG NO 8	20
-	-	1	1	-	-	691353-1	STRIPPER	19
-	1	-	-	-	-	679625-1	SHEAR HOLDER, FRONT (NO CUT)	17
-	1	1	1	1	-	3-22280-3	SPRING, COMPRESSION	12
-	1	1	1	1	-	690461-1	STOP, SHEAR	11
-	-	1	1	1	-	690459-1	SHEAR HOLDER, FRONT	10
-	1	1	1	1	-	462006-1	FLOATING SHEAR, FRONT	9
-	1	1	1	1	-	2-1633107-1	ANVIL, COMBINATION .062	8
-	1	1	1	1	-	2-455889-0	DEPRESSOR, SHEAR	5
-	1	1	1	1	-	238011-6	BLOCK, CRIMPER SPACER	4
-	1	1	1	1	-	3-683453-3	CRIMPER, INSULATION PREMIUM	3
-	1	1	1	1	-	455888-4	SPACER, CRIMPER	2
-	1	1	1	1	-	1-456403-3	CRIMPER, WIRE PREMIUM	1

DIMENSIONS: INCHES		TOLERANCES UNLESS OTHERWISE SPECIFIED:		DWG: R. KNEPPER 04MAY2006		TycO Tyco Electronics Harrisburg, PA 17105-3608	
0 PLC	±	1 PLC	±0.1	CHK: T. ELBIN 17MAY2006	NAME: T. BENCHOFF	SIDE FEED HDM APPLICATOR	
1 PLC	±0.01	2 PLC	±0.01	APPR: T. BENCHOFF 17MAY2006	PRODUCT SPEC: -	SIZE: A1	CAGE CODE: 00779
3 PLC	±0.001	3 PLC	±0.001	APPLICATION SPEC: -		SCALE: 3:5	DRAWING NO: 1852268
4 PLC	±0.0001	4 PLC	±0.0001	WEIGHT: -		SHEET: 1	REV: A
ANGLES	±0.0001	FINISH: -		CUSTOMER DRAWING		OF: 1	

CUSTOMER VIEWABLE ASSEMBLY