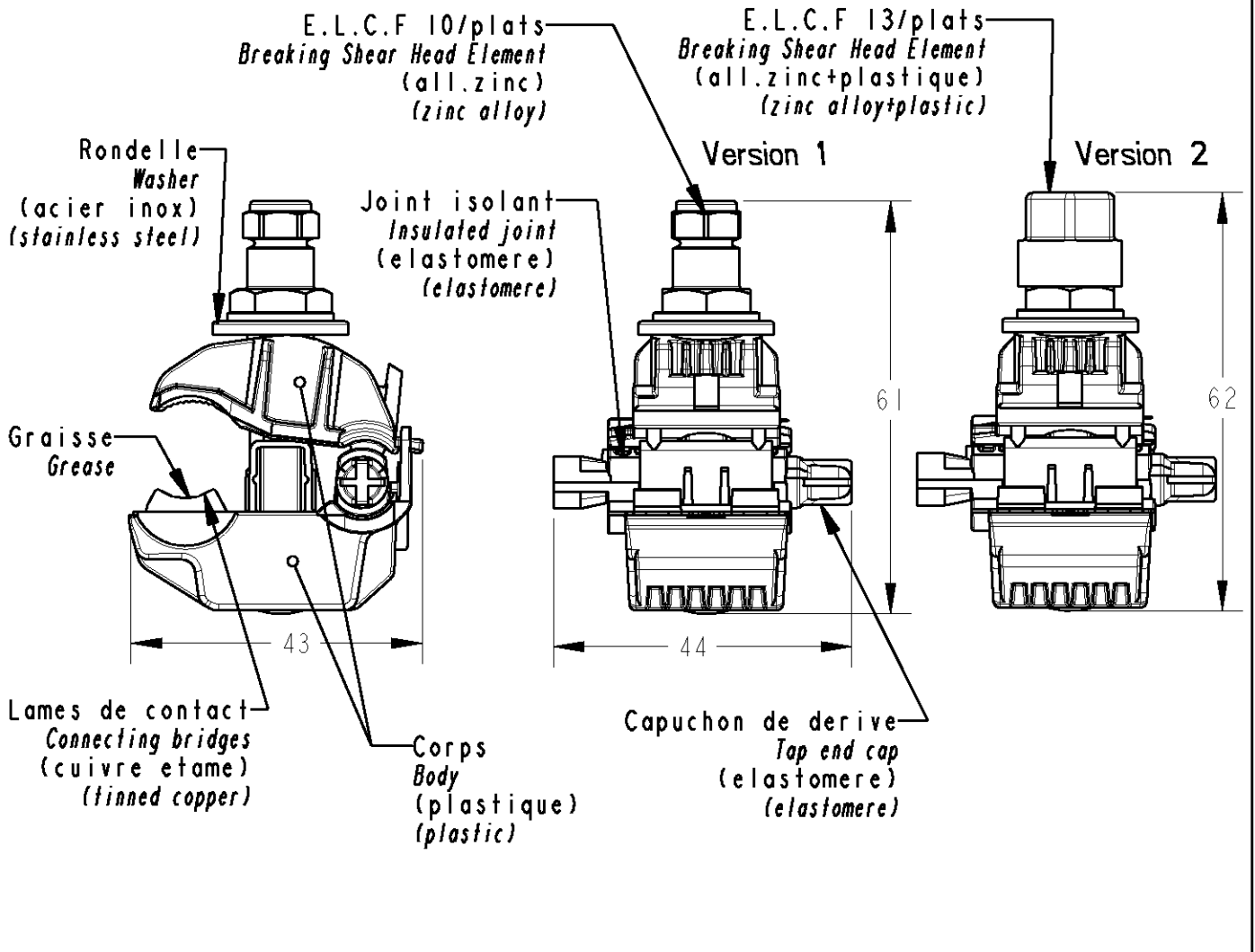


LOC	DIST	REVISIONS				
P	LTR REV	DESCRIPTION MODIFICATIONS	DATE	DWN DESS.	APVD APP.	
FH	2					
	O	EQ00-0244-05	11MAY05	CA	DM	
	A	EQ00-0414-05	21SEP05	CA	DM	
	B	EQ00-0563-06	22Dec2006	CA	DM	



PN	Code	REFERENCE	Capacities mm <sup>2</sup>		Couple rupture ELCF Breaking shear head torque	Cle serrage hexagonale Hexagonal wrench	Version
			Principal Main	Derive Tap			
1856549-1	037148	EP 155	16-155 *	1,5-10	6,6 to 8 Nm	10 mm	1
1856549-2	037149	EP 120	16-120	1,5-6			
1856549-3	037387	EP 120-13	16-120	1,5-6		13 mm	2

\* 155 mm<sup>2</sup> Cable nu / Bare cable

TOLERANCES UNLESS OTHERWISE SPECIFIED	-
TOLERANCES NON SPECIFIEES	-
FINISH	-

DIMENSIONS: mm

TOLERANCES UNLESS OTHERWISE SPECIFIED / TOLERANCES NON SPECIFIEES (SUIV. NB DE DECIMALES):

0 PLC / DEC: ±0  
 1 PLC / DEC: ±0  
 2 PLC / DEC: ±0  
 3 PLC / DEC: ±0  
 4 PLC / DEC: ±0  
 ANGLES ±

DWN / DESSINE ANDRE	22SEP2005
CHK / VERIFIE TISSE	-
APVD / APPROUVE PORCHERAY	-
PRODUCT SPEC SPEC. PRODUIT	-
APPLICATION SPEC SPEC. APPLICATION	-
WEIGHT MASSE APPROX.	54 gr

MATERIAL MATIERE -

**tyco Electronics** SIMEL  
 21220 Gevrey-Chambertin, FRANCE

NAME TITRE EP 155/120 ...

SIZE FORMAT A4	CAGE CODE 00779	DRAWING NO No PLAN	RESTRICTED TO RESERVE A
----------------	-----------------	--------------------	-------------------------

UNIQUEMENT POUR REFERENCE

SCALE ECHELLE | : |

SHEET FEUILLE | OF DE |

REV B