

4

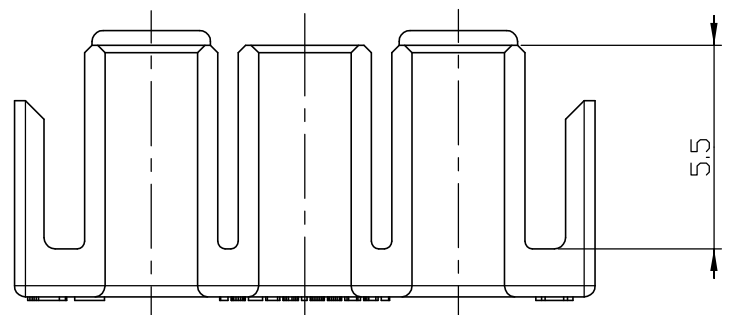
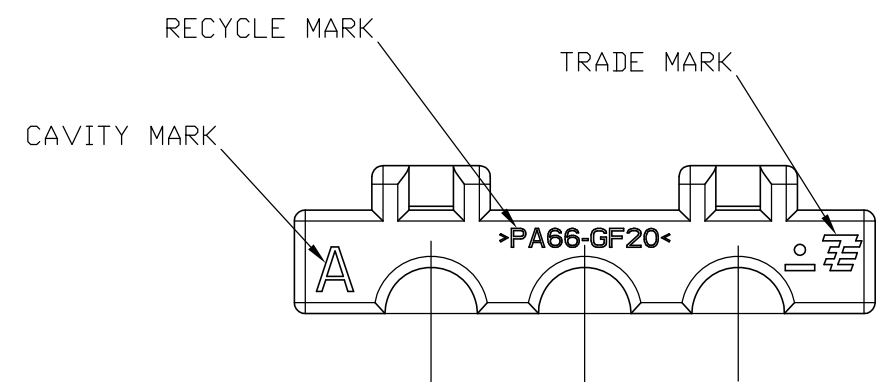
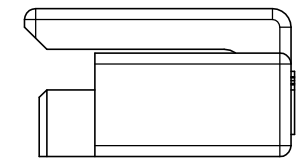
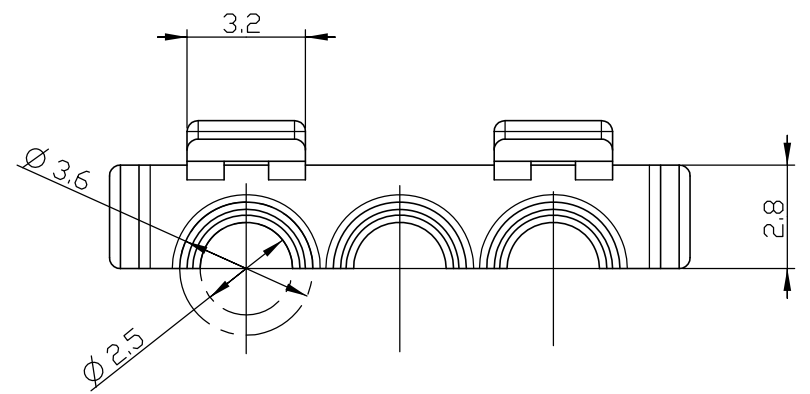
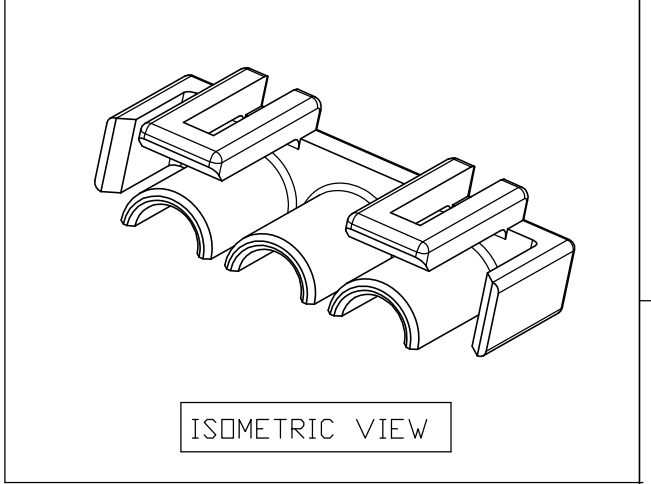
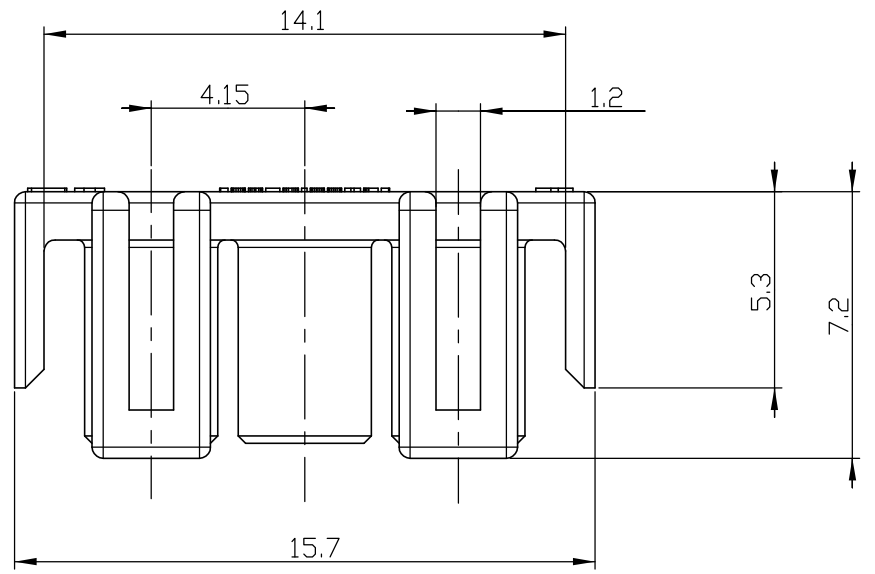
3

2

1

THIS DRAWING IS UNPUBLISHED. RELEASED FOR PUBLICATION 20  
 © COPYRIGHT 20 BY TYCO ELECTRONICS CORPORATION. ALL RIGHTS RESERVED.

LOC	DIST	REVISIONS			
P	LTR	DESCRIPTION	DATE	DWN	APVD
DS	-				
	A	RELEASED	18,MAR,08	JH	JK



NOTES.  
 1. APPLICABLE HSG P/N: X-1897621-X, X-1897625-X

1897629-5	YELLOW
P/N	COLOR

<small>THIS DRAWING IS A CONTROLLED DOCUMENT FOR TYCO ELECTRONICS CORPORATION          IT IS SUBJECT TO CHANGE AND THE CONTROLLING ENGINEERING ORGANIZATION          SHOULD BE CONTACTED FOR THE LATEST REVISION.</small>		DWN JH GONG CHK BW KANG APVD JK SONG PRODUCT SPEC 108-61101 APPLICATION SPEC 114-16017 WEIGHT - CUSTOMER DRAWING				NAME MINI MTDL 3P DOUBLE LOCK PLATE SIZE A3 CAGE CODE 00779 DRAWING NO C-1897629 RESTRICTED TO -	
DIMENSIONS: MM	TOLERANCES UNLESS OTHERWISE SPECIFIED:						
	0 PLC ±						
	1 PLC ±						
	2 PLC ± ±0.25						
	3 PLC ±						
	4 PLC ±						
	ANGLES ±						
MATERIAL 6/6 NYLON	FINISH -						
		SCALE 4:1		SHEET 1 OF 1		REV A	