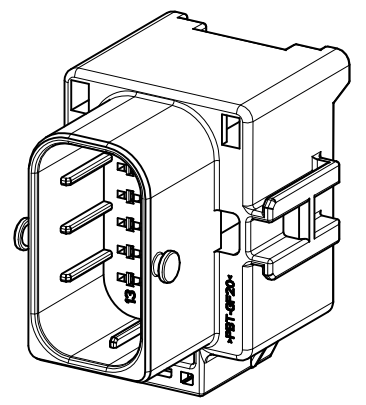
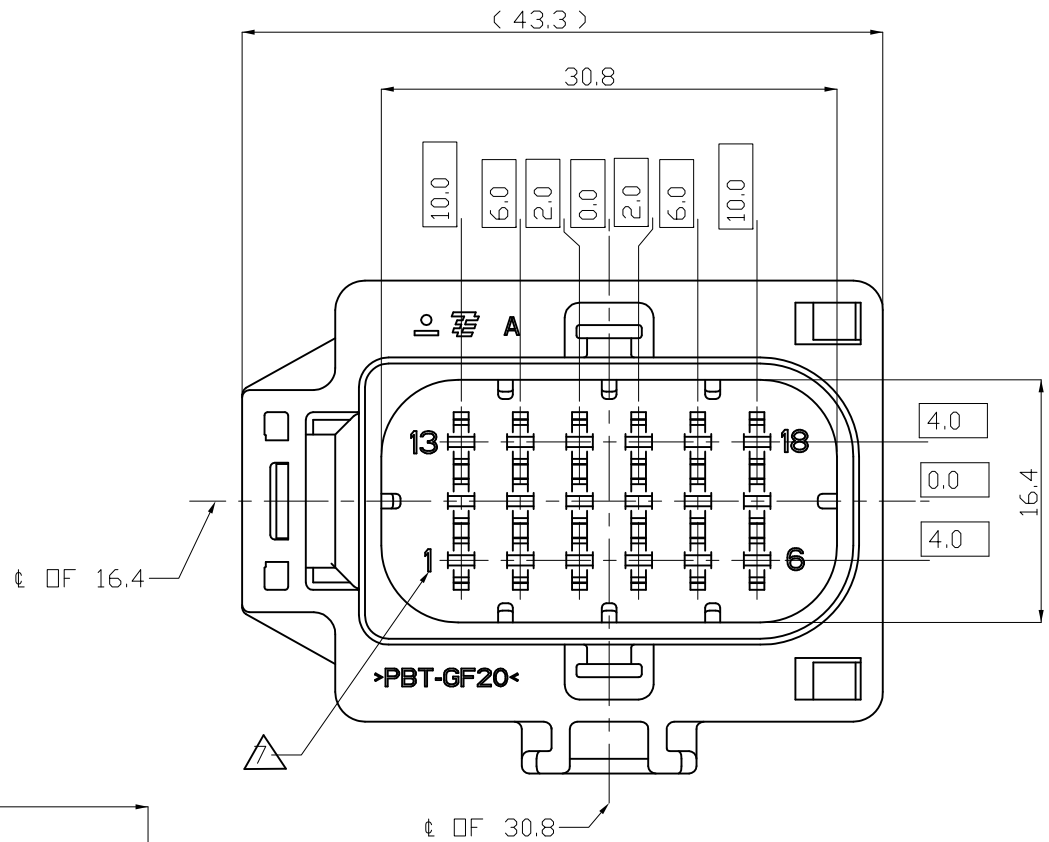


LOC	DIST	REVISIONS					
DS	-	P	LTR	DESCRIPTION	DATE	DWN	APVD
		A		RELEASE	03.MAR.'09	GC	JK



ISO VIEW

TABLE 1. APPLICABLE TAB CONTACT.

TAB	PART NO.	WIRE RANGE(mm ²)	INSULATION DIA.(mm) (FLR)
MCP 1.5	969028	0.2-0.5	1.2-1.6
	964269	0.5-1.0	1.4-2.1

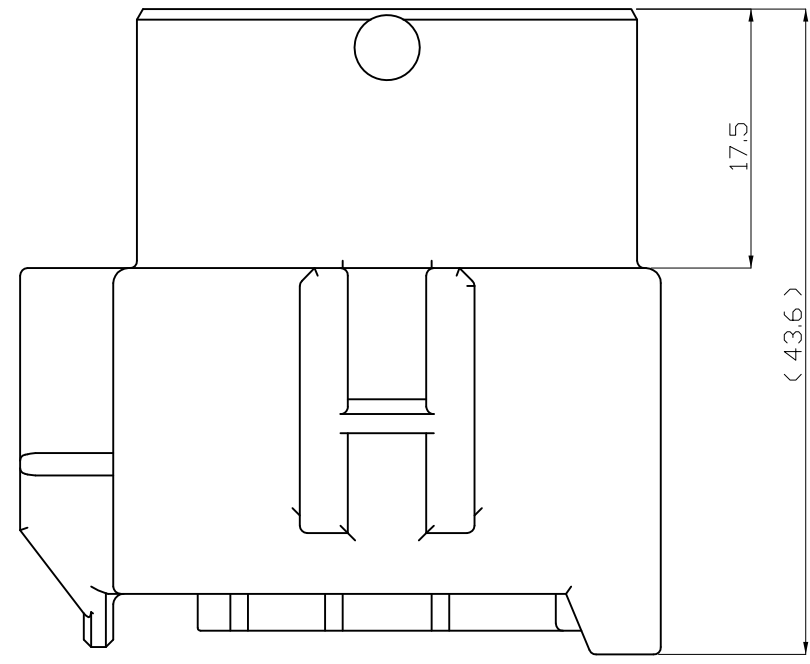
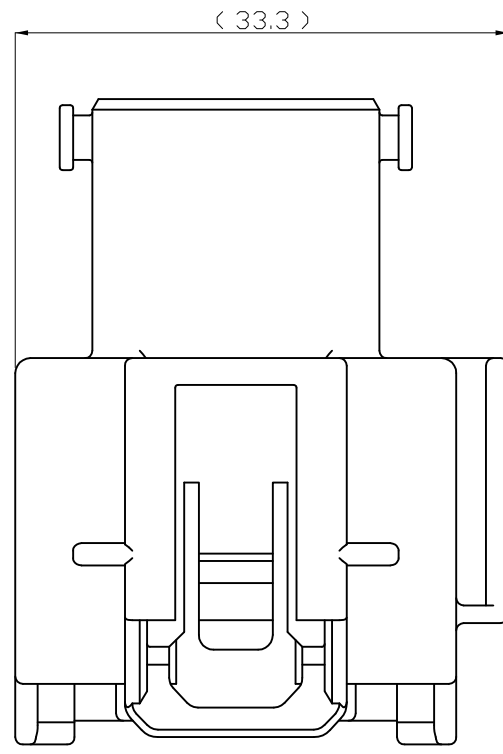
TABLE 2. APPLICABLE SINGLE WIRE SEALS

WIRE RANGE(mm ²)	INSULATION DIA. (mm)	COLOR	PART NO.
0.35-0.50	1.2-1.6	RED	964971-1
0.50-0.75	1.4-1.9	GREY	963530-1
1.0	1.9-2.1	YELLOW	964972-1
	DEAD END PLUG	WHITE	963531-1

NOTE ;

- GENERAL TOLERANCE : ± 0.3 , ± 3.0 °
 - APPLICABLE TAB CONTACT : SEE TABLE 1.
 - APPLICABLE SINGLE WIRE SEAL : SEE TABLE 2.
 - THE MATING REC. HSG ASS'Y P/N : 1897688-2
 - THE MATING COVER P/N : 1897692-2
 - APPLICABLE CLIP : 1897255-2, 1897256-2
- CURCUIT NO.

1897686-2	TAB HSG	PBT-GF20	BLACK
PART NO.	DESCRIPTION	MATERIAL	COLOR



THIS DRAWING IS A CONTROLLED DOCUMENT FOR TYCO ELECTRONICS CORPORATION
 IT IS SUBJECT TO CHANGE AND THE CONTROLLING ENGINEERING ORGANIZATION
 SHOULD BE CONTACTED FOR THE LATEST REVISION.

DIMENSIONS:	TOLERANCES UNLESS OTHERWISE SPECIFIED
mm	
	0 PLC \pm
	1 PLC ± 0.5
	2 PLC ± 0.13
	3 PLC ± 0.013
	4 PLC ± 0.0001
	ANGLES \pm
MATERIAL	FINISH
-	-

DWN	GC KWON	22 JAN 2010	AMP KOREA	
CHK	KT LIM	-	Tyco Electronics kyungsan, korea	
APVD	JK SONG	-	NAME	
PRODUCT SPEC	-	-	MCP1.5 SEALED 18P TAB HSG	
APPLICATION SPEC	-	-	SIZE	CAGE CODE
WEIGHT	-	-	A300779	C=1897686
CUSTOMER DRAWING			SCALE	2:1
			SHEET	1 OF 1
			REV	A