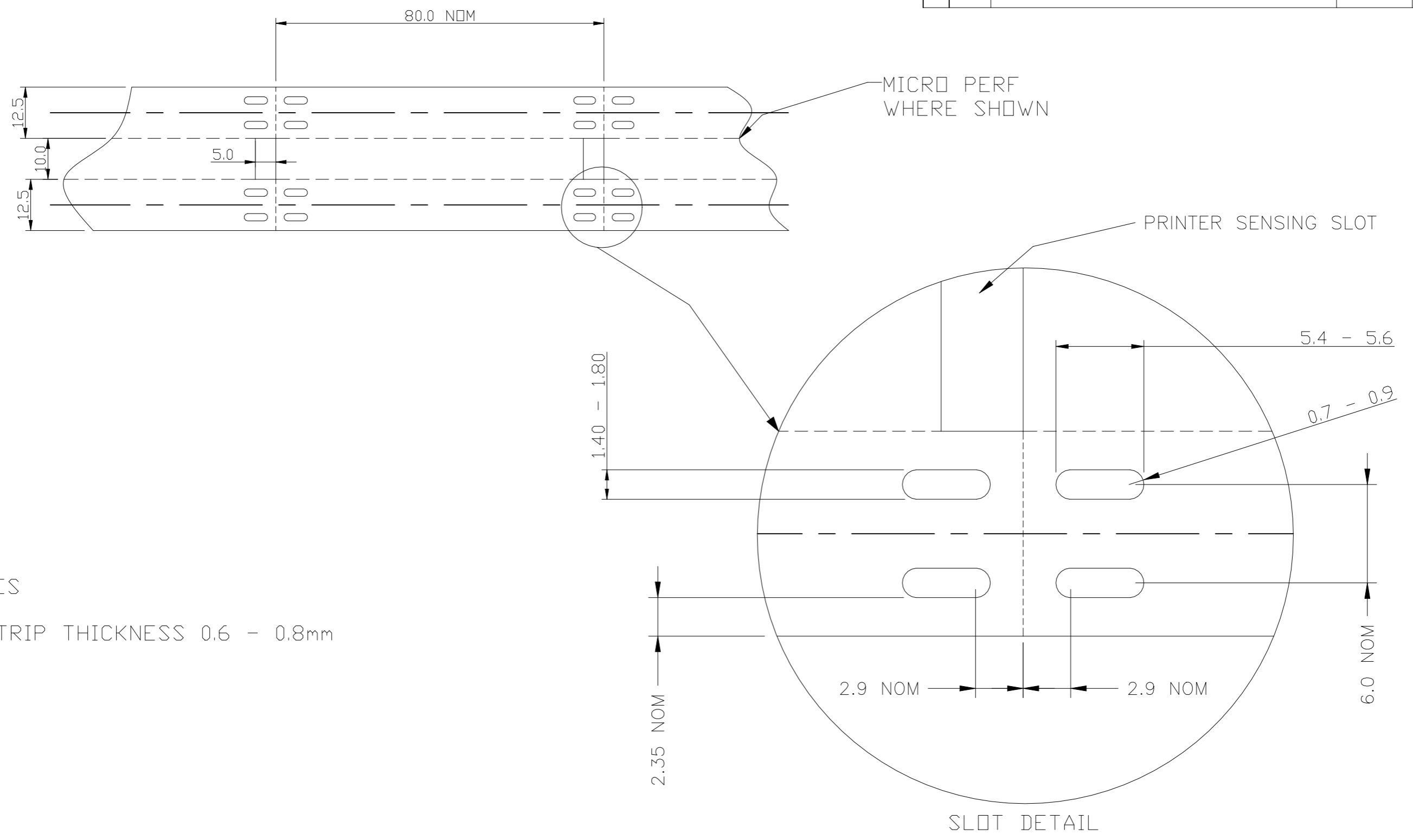


REVISIONS					
P	LTR	DESCRIPTION	DATE	DWN	APVD
	3	DIM ADDITION - ECN-20-193104	13JAN2023	AFK	MN



NOTES

1, STRIP THICKNESS 0.6 - 0.8mm

THIS DRAWING IS A CONTROLLED DOCUMENT.		DWN AFK	30APR2020	STE TE Connectivity	
DIMENSIONS: mm		CHK -	APVD -		
TOLERANCES UNLESS OTHERWISE SPECIFIED:		PRODUCT SPEC RW-2529		LOW COST CABLE MARKER TWO ACROSS	
0 PLC ± -		APPLICATION SPEC 411-121000		SIZE	RESTRICTED TO
1 PLC ± 0.25		WEIGHT 1.64g		CAGE CODE A3AY00M	DRAWING NO C-1901N0004
2 PLC ± -		CUSTOMER DRAWING		SCALE ---	SHEET 1 OF 1
3 PLC ± -				REV 3	
4 PLC ± -					
ANGLES ± -					
MATERIAL CROSSLINKED POLYOLEFIN		FINISH -			