

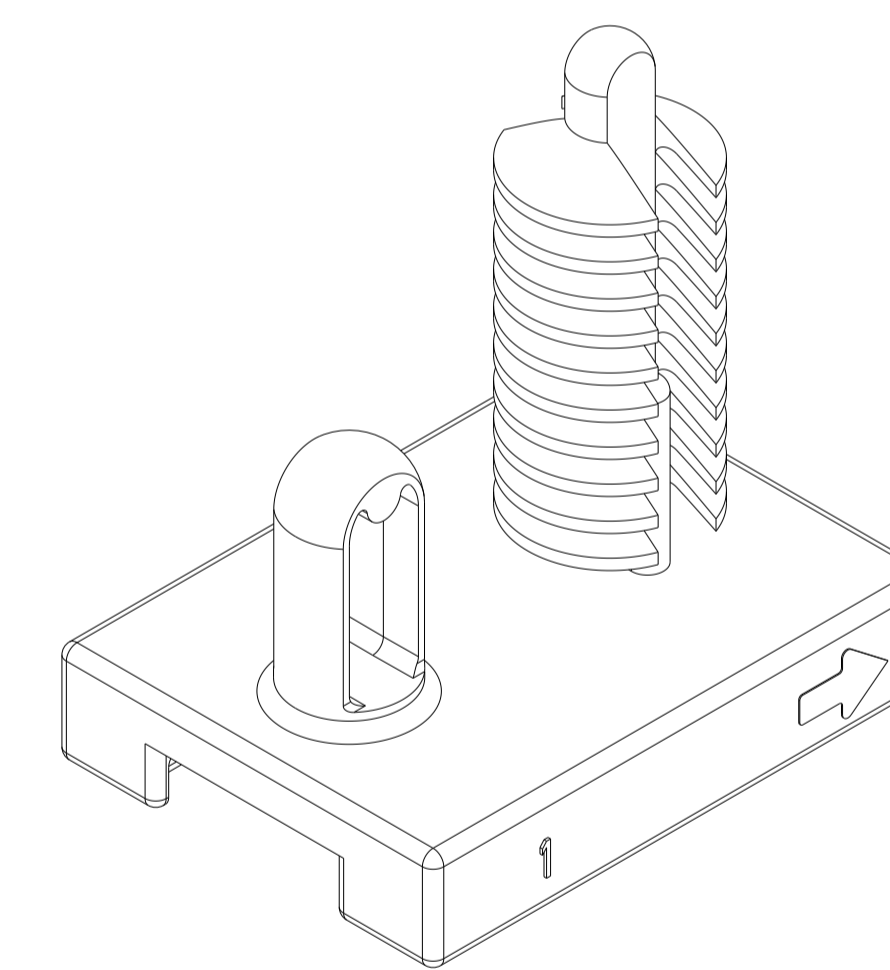
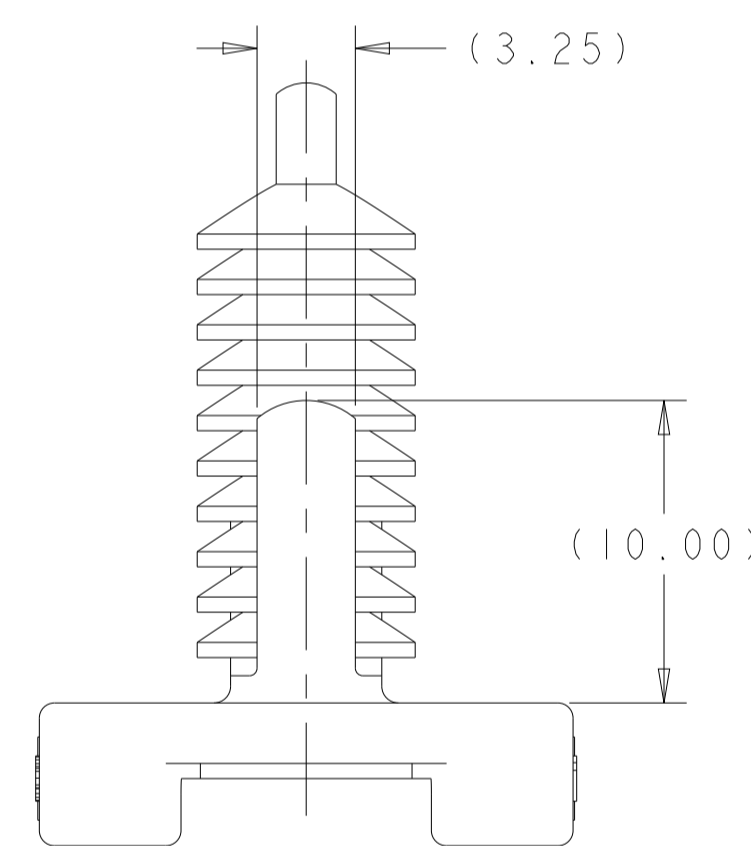
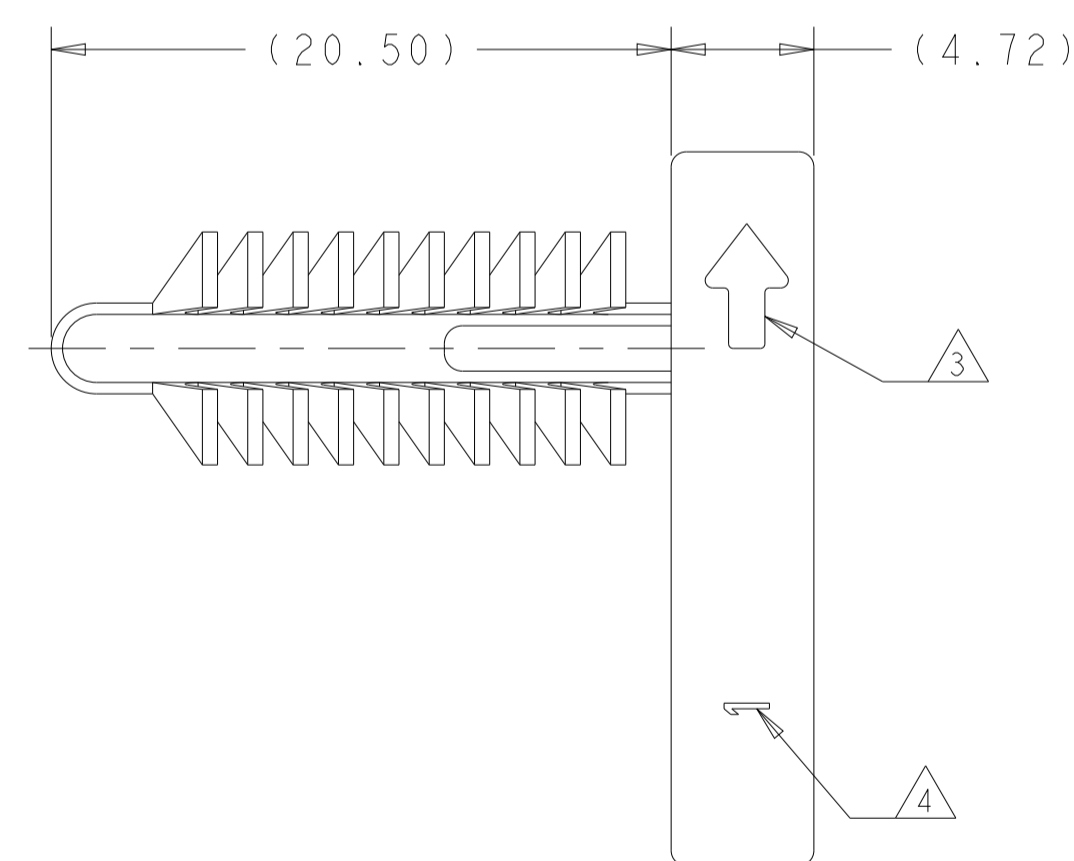
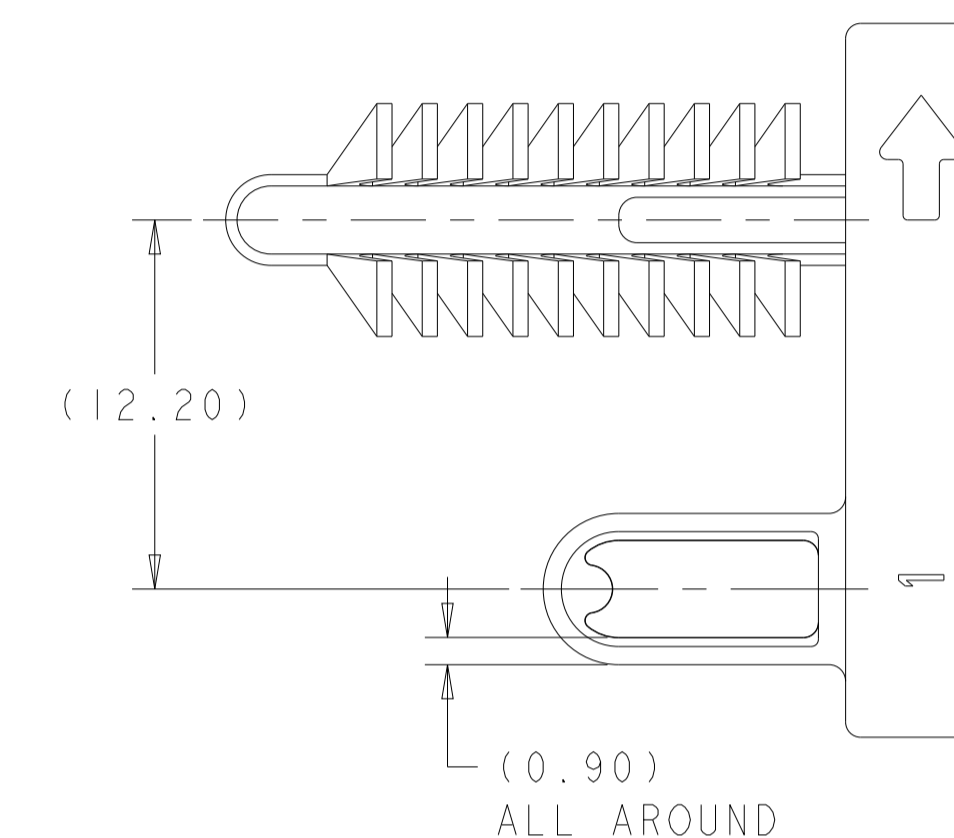
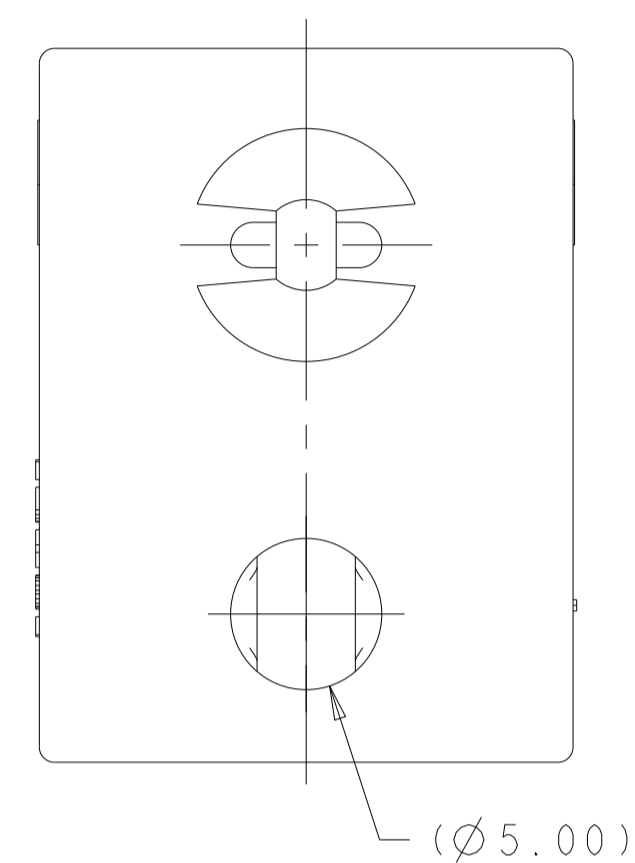
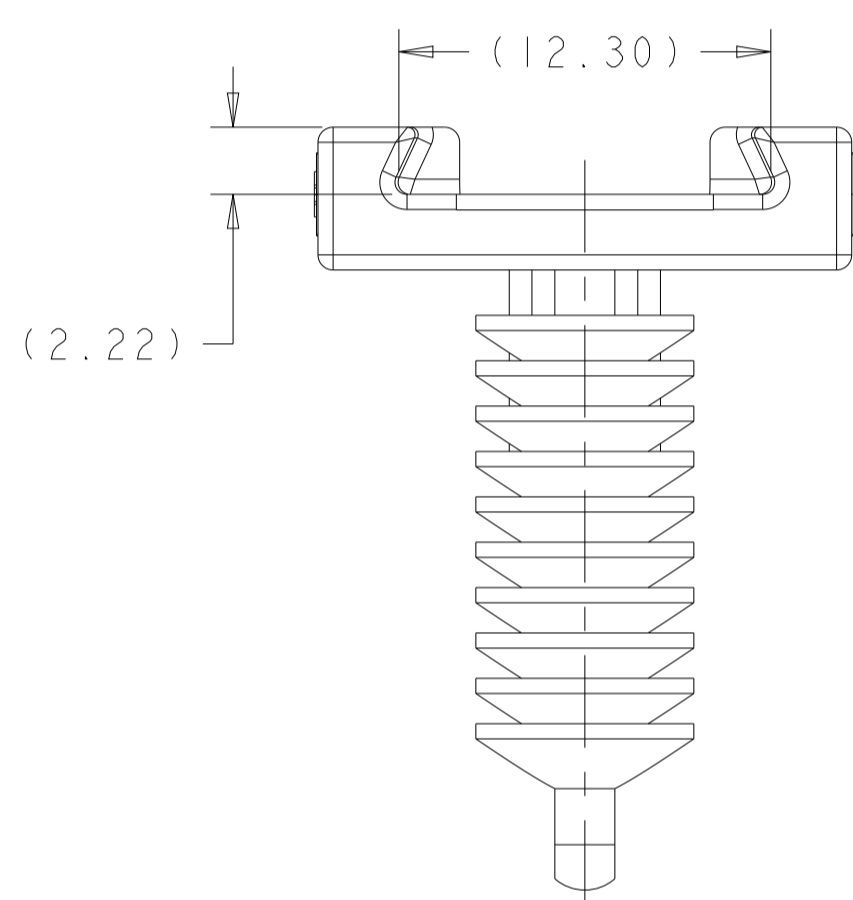
RECOMMENDED MOUNTING PARAMETERS
 1924487-1 AND 1924487-2 ONLY

CONNECTOR POSITION	TREE HOLE (THREADED)	ANTI-ROTATION HOLE (THREADED OR UNTHREADED)	THREAD DEPTH (MINIMUM)
2	M8	M6 (5.0mm)	4mm
3	M8	M6 (5.0mm)	6mm
4	M8	M6 (5.0mm)	6mm
6	M8	M6 (5.0mm)	6mm
8	M8	M6 (5.0mm)	8mm
12	M8	M6 (5.0mm)	8mm

REVISIONS				
P	LTN	DESCRIPTION	DATE	APVD
D		REVISED PER ECO-15-014592	09OCT2015	JM RB
D1		REVISED PER ECO-15-018109	17DEC2015	DD RB
E		REVISED PER ECO-19-009502	20JUN2019	NS RB
E1		REVISED PER PCN-23-189981	16OCT2023	GB CB

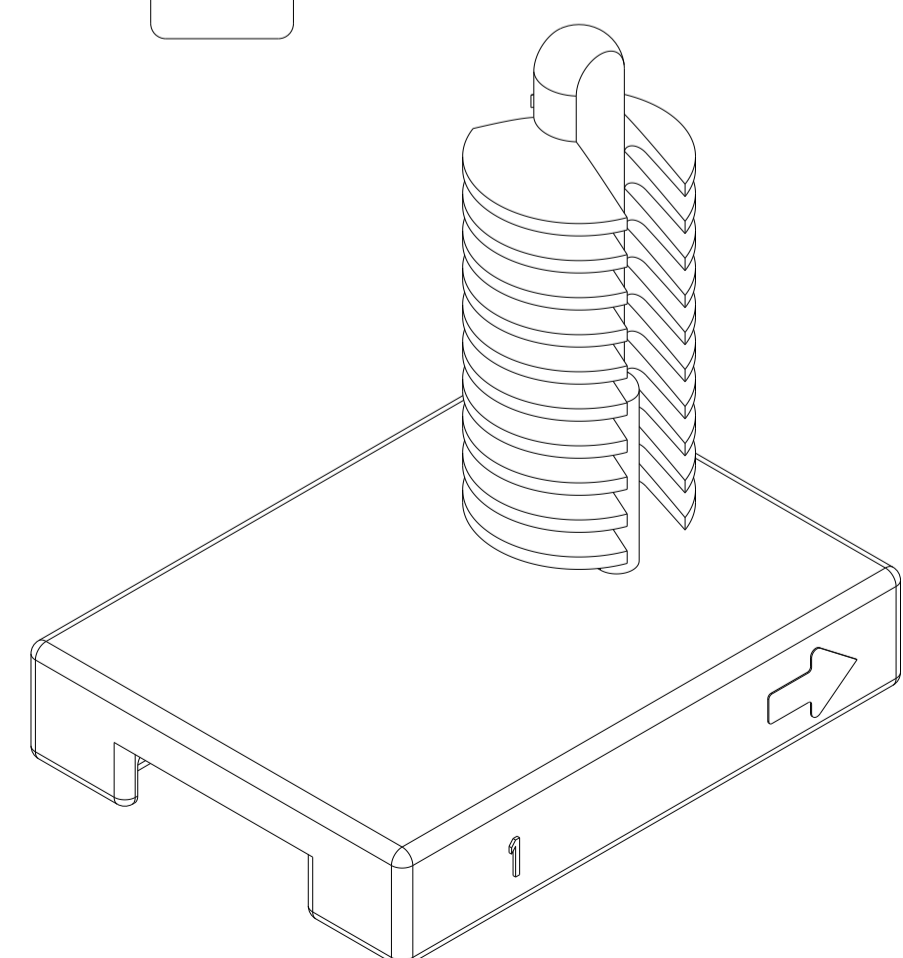
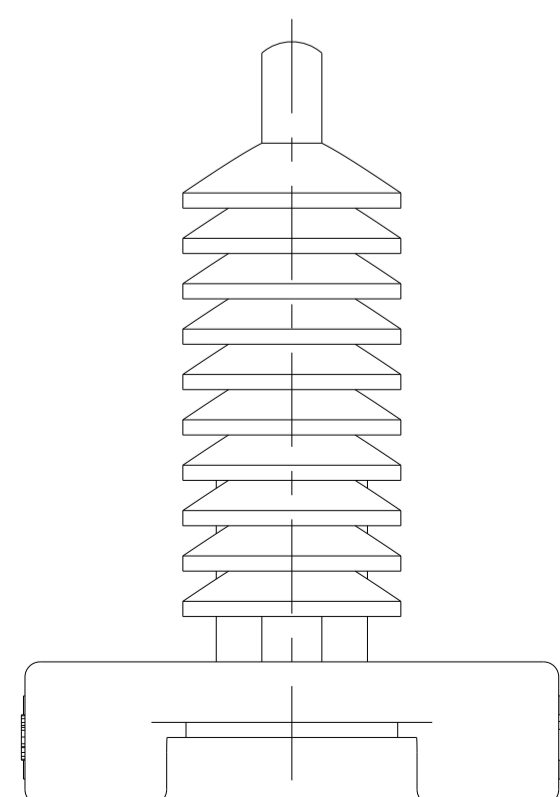
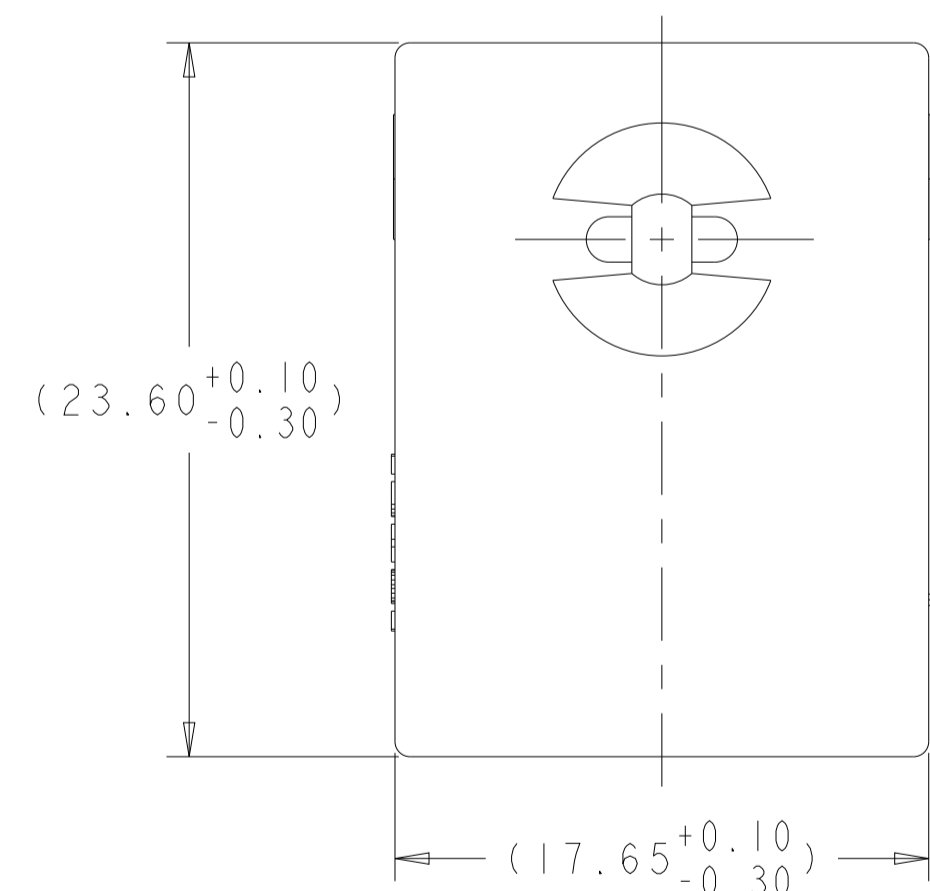
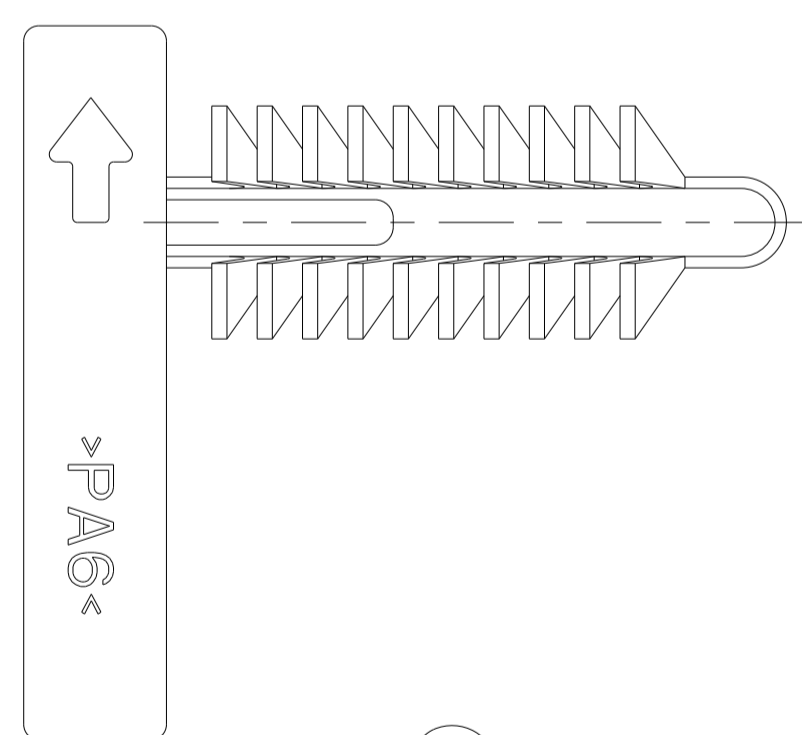
- △ MATERIAL: NYLON 6, COLOR: BLACK
- 2. MOUNTING PARAMETERS: SEE RECOMMENDED MOUNTING TABLE ON LEFT SIDE.
- △3 AREA TO BE FROSTED APPROXIMATELY WHERE SHOWN.
- △4 CAVITY ID.
- △5 ANTI-ROTATION POST DIMENSIONS ONLY APPLY TO 1924487-2.

ⓔ1 6. THIS PART MATES WITH ALL ASI6, DT (EXCEPT FOR 8P), DTM, DTMH RECEPTACLES OR OTHER PARTS WITH THE CLIP RETENTION FEATURE.



1924487-2

DIMS SAME AS 1924487-1 EXCEPT AS SHOWN



1924487-1

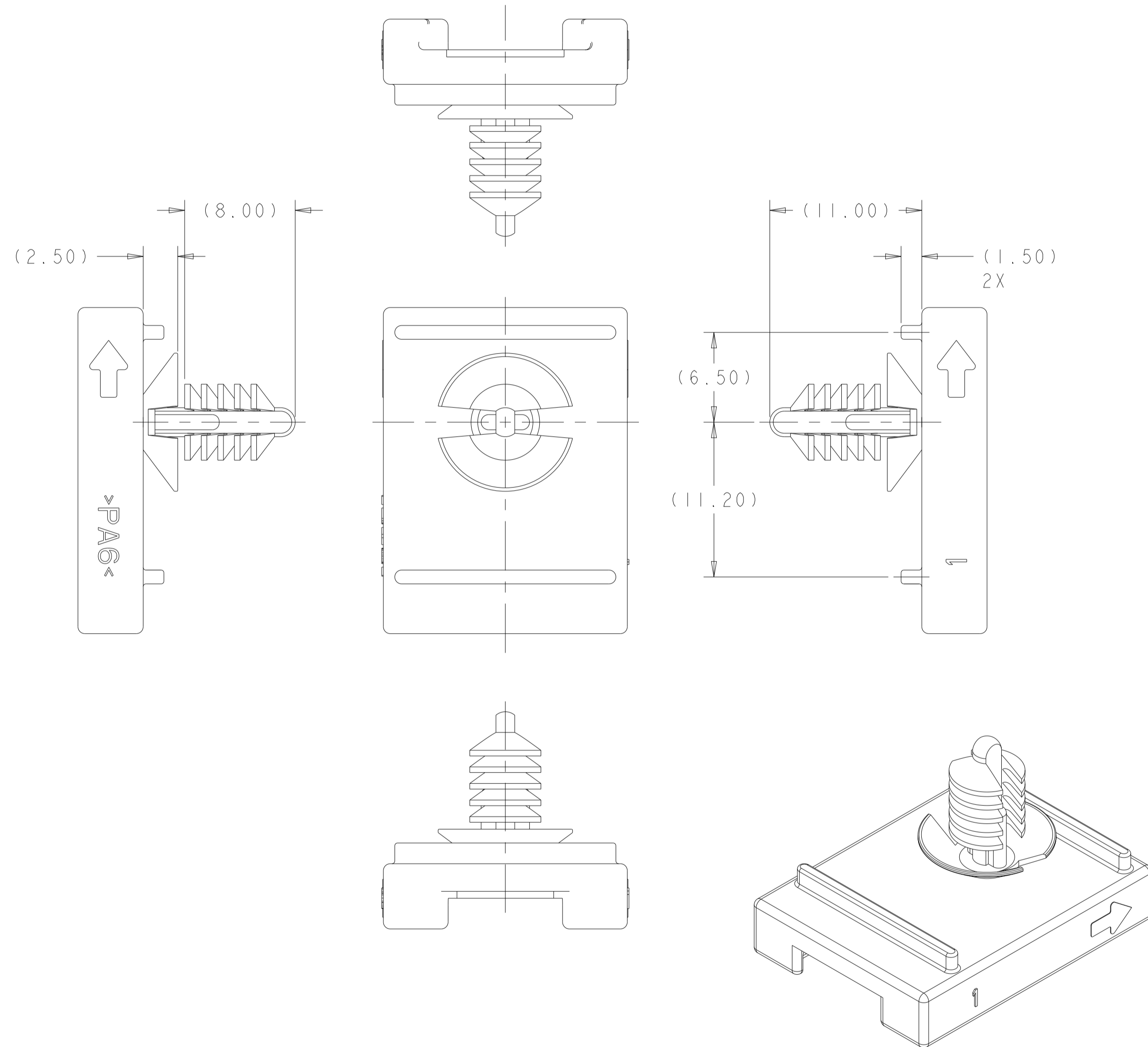
1.50 grams	1924487-3
1.65 grams	1924487-2
1.60 grams	1924487-1
WEIGHT (g)	PART NUMBER

DIMENSIONS:		TOLERANCES UNLESS OTHERWISE SPECIFIED:		MATERIAL:	
mm	0 PLC ±	1 PLC ±0.5	2 PLC ±0.3	3 PLC ±	4 PLC ±
	ANGLES ±	FINISH ±			

THIS DRAWING IS A CONTROLLED DOCUMENT.	OWN J. MARKEY 22FEB2008	CHK J. MARKEY 22FEB2008	APVD J. MARKEY 22FEB2008	NAME	RETAINER CLIP, AMPSEAL 16
				SIZE	A1
				CAGE CODE	00779
				DRAWING NO	1924487
				RESTRICTED TO	
				SCALE	3:1
				SHEET	1 OF 2
				REV	E1

REVISIONS					
P	LTN	DESCRIPTION	DATE	DMN	APVD
-		SEE SHEET 1	-	-	-

RECOMMENDED MOUNTING PARAMETERS
 1924487-3 ONLY
 1924487-3 TO SNAP INTO Ø4.7MM HOLE
 IN 3MM STOCK SHEET METAL.



1924487-3

DIMS SAME AS 1924487-1
 EXCEPT AS SHOWN

THIS DRAWING IS A CONTROLLED DOCUMENT.		DMN J. MARKEY 22FEB2008	
DIMENSIONS:		CHK J. MARKEY 22FEB2008	
mm	TOLERANCES UNLESS OTHERWISE SPECIFIED:	APVD J. MARKEY 22FEB2008	NAME RETAINER CLIP, AMPSEAL 16
0 PLC ±	1 PLC ±0.5	PRODUCT SPEC	SIZE
2 PLC ±0.3	3 PLC ±	APPLICATION SPEC	CAGE CODE
4 PLC ±	ANGLES ±	WEIGHT	DRAWING NO
FINISH		CUSTOMER DRAWING	RESTRICTED TO
		SCALE 3:1	SHEET 2 OF 2
			REV E1