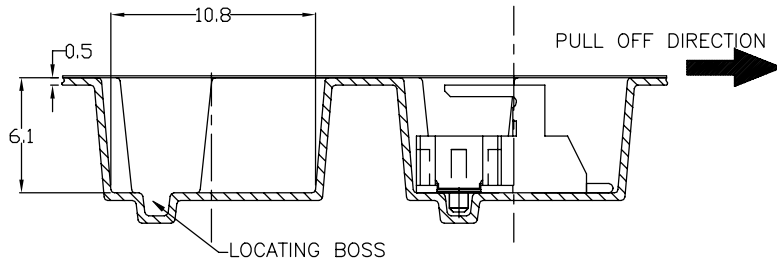
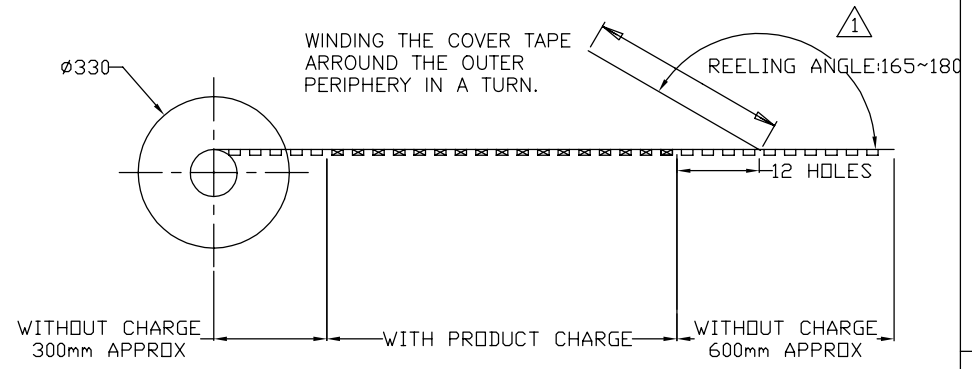
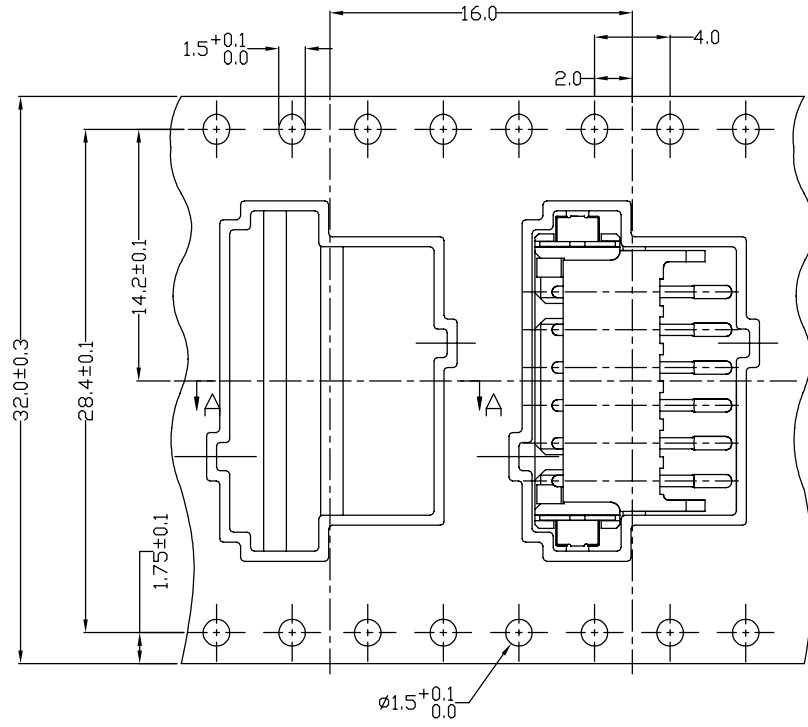


THIS DRAWING IS UNPUBLISHED. RELEASED FOR PUBLICATION
 © COPYRIGHT - By - ALL RIGHTS RESERVED.

LOC	DIST	REVISIONS					
ES	00	P	LTR	DESCRIPTION	DATE	DWN	APVD
		C1		ECR-21-101067	09APR2021	T.Q	N.S

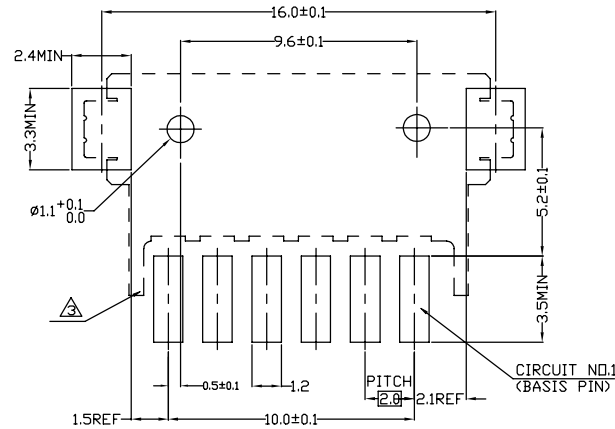
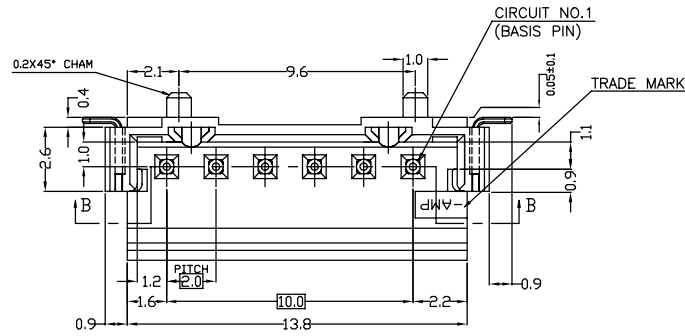


SECTION A-A

TOLERANCE UNLESS OTHERWISE SPECIFIED: 10 * : ±0.2 30 * >10 : ±0.25 100 * >30 : ±0.3 ANGLE : ±3°	BLACK	WITH	500	6	1932033-6				
	COLOR	PLATE	QTY/REEL	Pos	ON TAPE P/N				
THIS DRAWING IS A CONTROLLED DOCUMENT.	DWN C.DING 21SEP07	TE Connectivity ON TAPING (EMBOSS) AMP CT CONNECTOR POST HEADER ASS'Y (BOX-H SMT TYPE W/BOSS & TAIL)							
DIMENSIONS: mm	CHK C.WANG 21SEP07								
	TOLERANCES UNLESS OTHERWISE SPECIFIED: 0 PLC ± - 1 PLC ± - 2 PLC ± - 3 PLC ± - 4 PLC ± - ANGLES ± -	APVD S.YAO 21SEP07	NAME	SIZE	CAGE CODE	DRAWING NO	RESTRICTED TO		
	MATERIAL	FINISH	APPLICATION SPEC	A3	00779	C-1932033	-		
CUSTOMER DRAWING			WEIGHT	SCALE	1:1	SHEET	1 of 2	REV	C1

THIS DRAWING IS UNPUBLISHED. RELEASED FOR PUBLICATION
 © COPYRIGHT - By - ALL RIGHTS RESERVED.

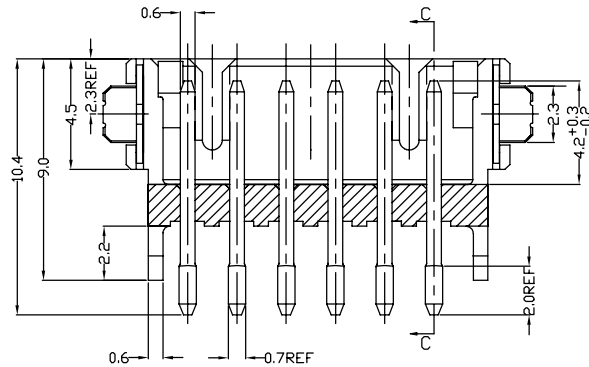
LOC		DIST		REVISIONS			
P	LTR	DESCRIPTION		DATE	DWN	APVD	
-	-	SEE SHEET 1		-	-	-	



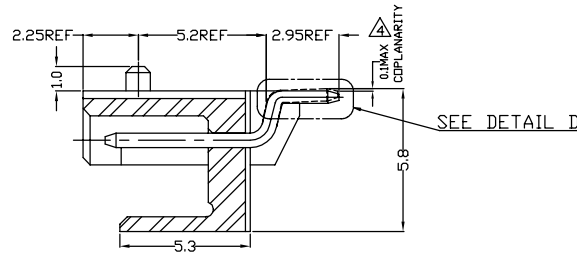
NO ACCUMULATED TOLERANCE
 RECOMMENDED P.C. BOARD LAYOUT
 (P.C.B THK:0.8mm MIN)

NOTES:

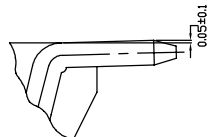
- 1. REELING RESISTANCE : 0.196N-0.686N (20gf-70gf)
 SPEED : 300mm/min
- 2. MATERIAL: HSG- NYLON (UL94V-0)
 COLOR: BLACK ,NATURAL
 POST: TIN BRASS
 TAIL : TIN BRASS
- 3. OCCUPANT AREA ON PC BOARD
- 4. TO BE MEASURED WITH CONNECTOR PLACED ON HORIZONTAL DATUM SURFACE ,FLOAT OF SOLDER TINE AND TAIL FROM DATUM SURFACE IS 0.1mm MAX



SECTION B-B



SECTION C-C



DETAIL D

TOLERANCES UNLESS OTHERWISE SPECIFIED:
 10>* : ±0.2
 30>* >10 : ±0.25
 100>* >30 : ±0.3
 ANGEL : ±3°

THIS DRAWING IS A CONTROLLED DOCUMENT.		DWN	-
DIMENSIONS: mm		CHK	-
TOLERANCES UNLESS OTHERWISE SPECIFIED:		APVD	-
0 PLC ±		PRODUCT SPEC	-
1 PLC ±		APPLICATION SPEC	-
2 PLC ±		WEIGHT	-
3 PLC ±		CUSTOMER DRAWING	-
4 PLC ±		SCALE	1:1
ANGLES ±		SHEET	2 of 2
FINISH		REV	C1

6		1932033-6	
Pos		TAPING P/N	
STE TE Connectivity			
ON TAPING (EMBOSS) AMP CT CONNECTOR POST HEADER ASS'Y (BOX-H SMT TYPE W/BOSS & TAIL)			
SIZE	CAGE CODE	DRAWING NO	RESTRICTED TO
A3	00779	C-1932033	-