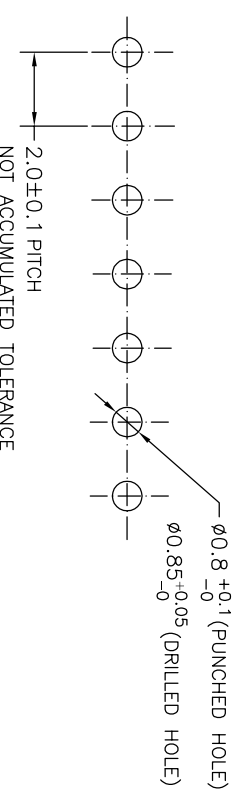
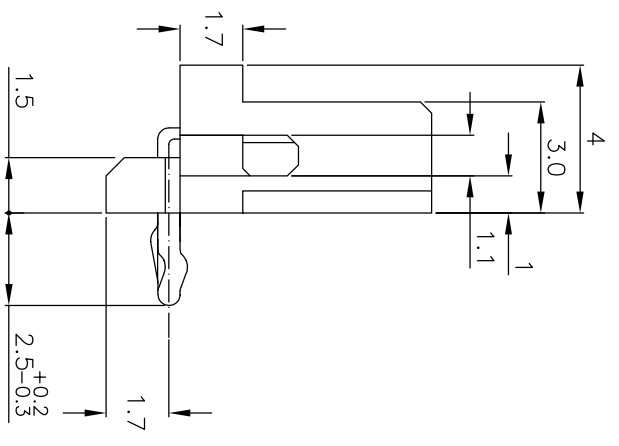
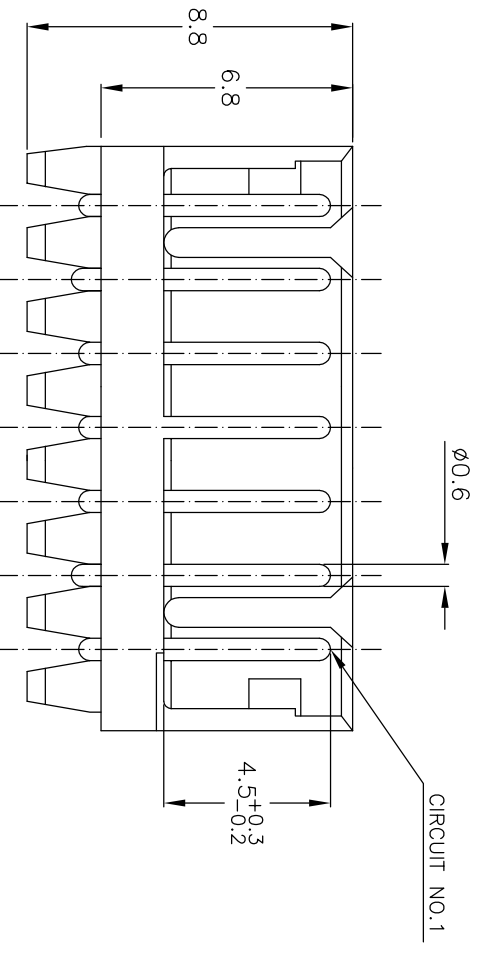
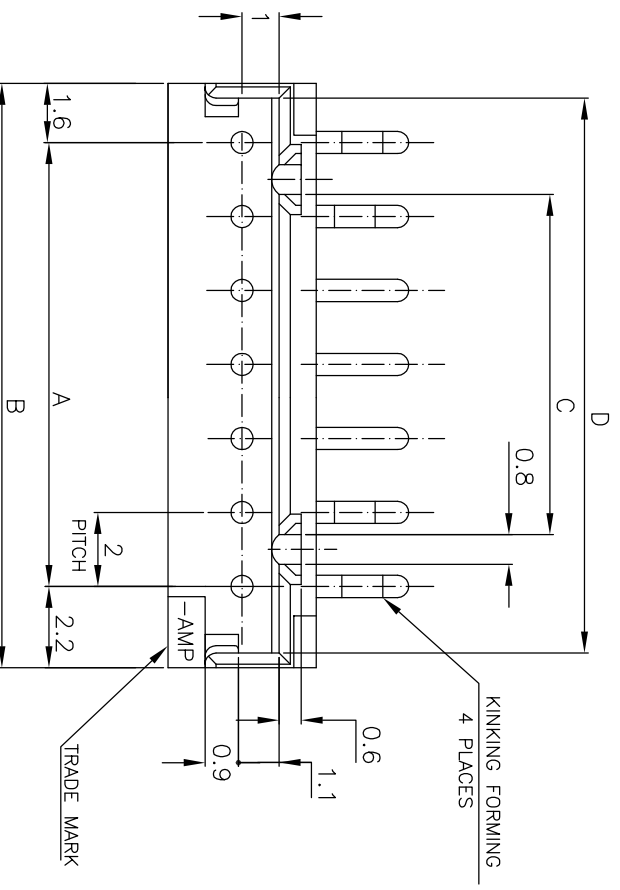


REVISIONS		DATE	DWN	APVD
P	LTR	DESCRIPTION		
A	RELEASED	ECR-07-024400	16OCT07	C.W S.Y



REFERENCE PCB LAYOUT
 (PCB THK:0.8-1.6)

NOTES:

1. MATERIAL: HOUSING - NYLON 66 (UL94V-0)
 POST - TIN BRASS
2. APPLICABLE RECEPTACLE P/N 173977
3. SHORT TINE TYPE OF *-292253-7 SERIES

15.0	9.2	15.8	12	7	1932035-7
D	C	B	A	Pos.	NATURAL
					PART NO.

Tyco Electronics Corporation
 SHANGHAI, CHINA

POST HEADER ASS'Y HORIZONTAL(SHORT TINE) TYPE
 (AMP CT CONNECTOR 2mm PITCH)

THIS DRAWING IS A CONTROLLED DOCUMENT.		DWN C.WANG	20SEP09
DIMENSIONS: MM		CHK M.LI	20SEP09
TOLERANCES UNLESS OTHERWISE SPECIFIED:		APVD S.YAO	20SEP09
0 PLC	±	PRODUCT SPEC	108-60016
1 PLC	±	APPLICATION SPEC	
2 PLC	±	WEIGHT	
3 PLC	±	CUSTOMER DRAWING	
4 PLC	±		
ANGLES	±		
FINISH	±		
MATERIAL	SEE NOTE		

TOLERANCES UNLESS OTHERWISE SPECIFIED:
 10 > * : ±0.2
 30 > * : ±0.25
 100 > * : ±0.3
 ANGLE : ±3°

A B C D

A B C D