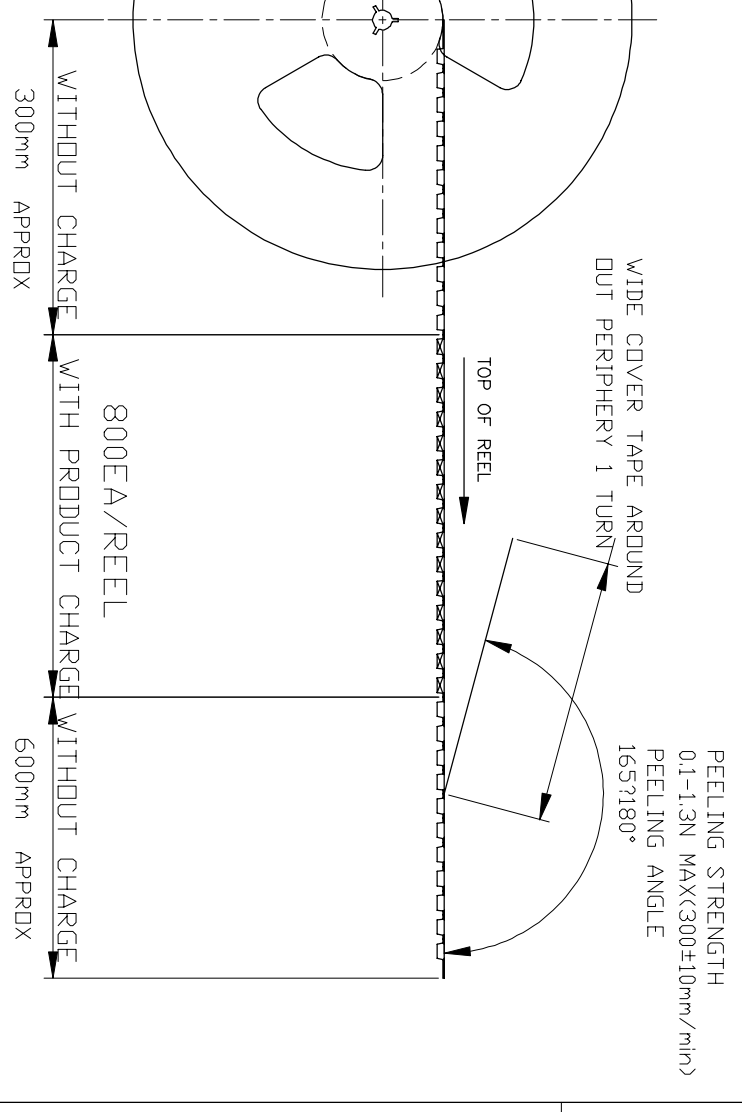
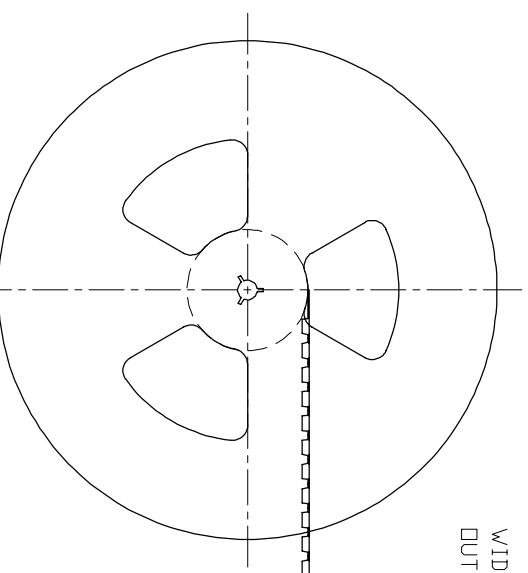
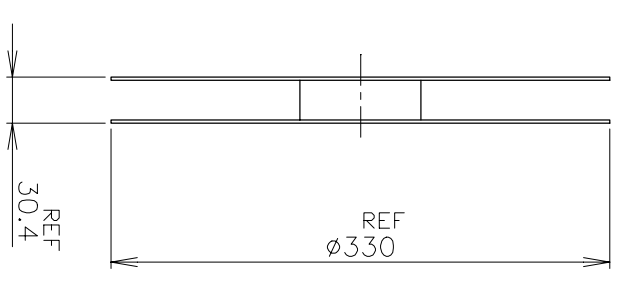
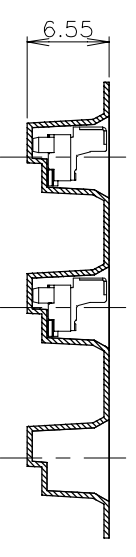
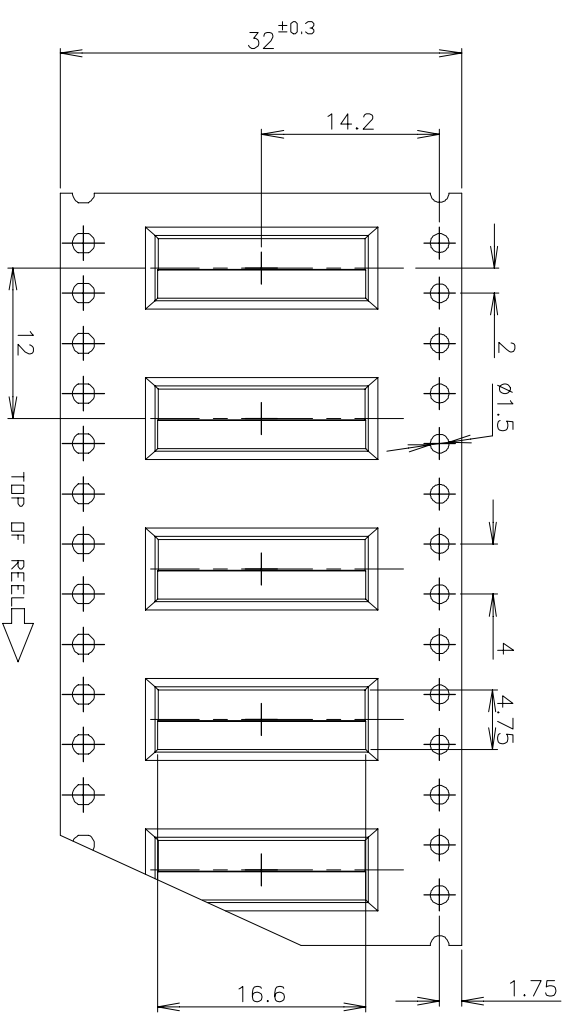


THIS DRAWING IS UNPUBLISHED.

RELEASED FOR PUBLICATION
ALL RIGHTS RESERVED.

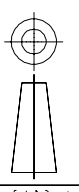
REVISIONS

P	LTR	DESCRIPTION	DATE	DWN	APVD
-	-	SEE SHEET 1	-	-	-



THIS DRAWING IS A CONTROLLED DOCUMENT.

DIMENSIONS:
mm



PLC	TOLERANCES UNLESS OTHERWISE SPECIFIED:	FINISH
0 PLC	±	4. P/C ANGLES
1 PLC	±	
2 PLC	±	
3 PLC	±	
4 PLC	±	

DWN	7JULY2011	DMN	7JULY2011
CHK	Tony Zhang	APVD	Xiang Xu
APVD	Xiang Xu	PRODUCT SPEC	Steven Yao
PRODUCT SPEC	Steven Yao	APPLICATION SPEC	
APPLICATION SPEC		WEIGHT	0
WEIGHT	0	CUSTOMER DRAWING	



TE Connectivity

FBI5-II
PLUG ASSEMBLY 6 POS V TYPE

NAME	SIZE	CAGE CODE	DRAWING NO	RESTRICTED TO
	A3	00779	1932870	-
SCALE	SHEET	REV		
2:1	2 OF 2	A1		