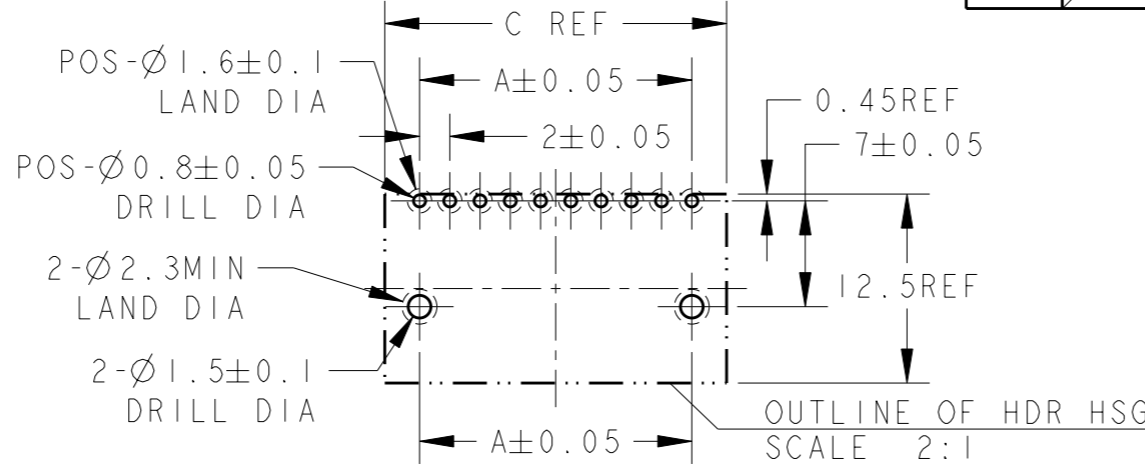
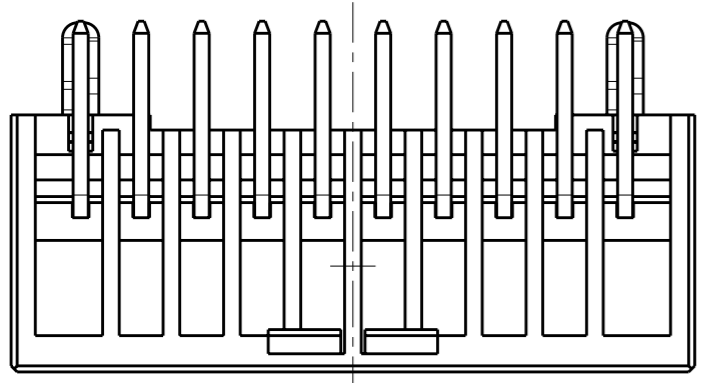
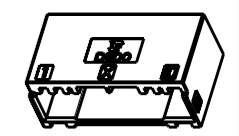


THIS DRAWING IS UNPUBLISHED. RELEASED FOR PUBLICATION 2007  
 © COPYRIGHT 2007 BY TYCO ELECTRONICS CORPORATION. ALL INTERNATIONAL RIGHTS RESERVED.

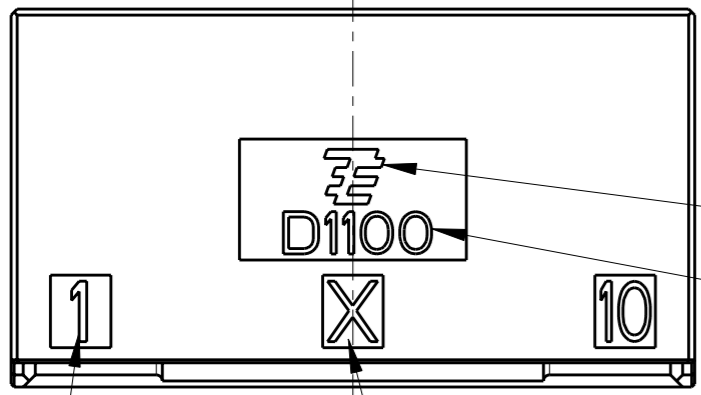
LOC	DIST	REVISIONS					
J		P	LTR	DESCRIPTION	DATE	DWN	APVD
			BI	REVISED PER ECR-10-019595	30SEP10	HMR	T.M



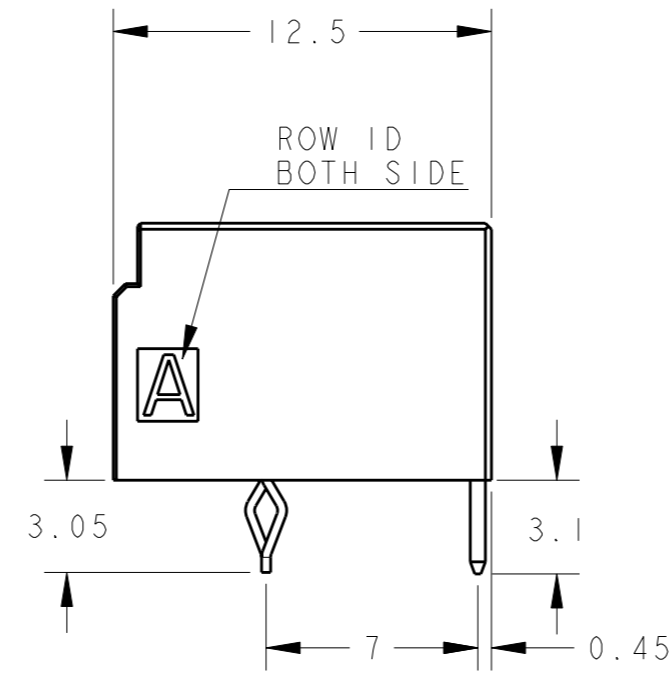
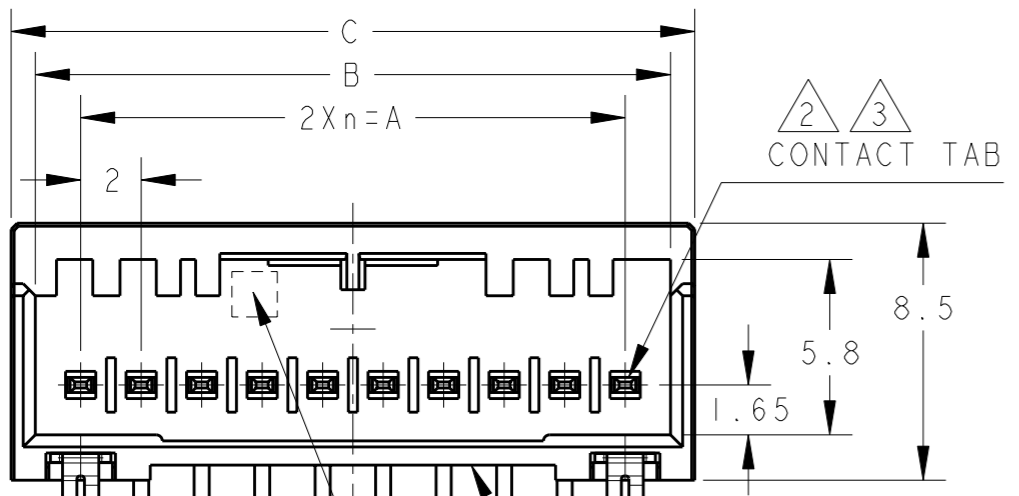
推奨基板取付穴寸法 : コネクタ搭載面 (非累積公差)  
 PC基板厚 :  $1.0 \sim 1.6 \pm 0.1$   
 RECOMMEND PC BOARD HOLE PATTERN : CONNECTOR MOUNT SIDE (NOT ACCUMULATE TOLERANCE)  
 PC BOARD THICKNESS :  $1.0 \sim 1.6 \pm 0.1$



SCALE 1:1



- ①. 材料:ハウジング:ガラス入り熱可塑性ポリエステル樹脂(94V-0)、色:黒  
 コンタクト:銅合金  
 リテンションレグ:錫めっき済銅合金
- ②. めっき(全面):ニッケル下地めっき $1.27 \mu\text{m}$ 以上
- ③. めっき(接触部):②の上に金めっき $0.38 \mu\text{m}$ 以上
- ④. めっき(コンタクト半田付部):②の上に錫めっき $2 \mu\text{m}$ 以上
- 5. Y KEY形状は、X KEY形状と左右対称
- 6. 文字の形状、大きさ、および位置については、大略を示すものであり、詳細を示すものではありません。



- ①. MATERIAL:HOUSING:GLASS FILED THERMO PLASTIC POLYESTER(94V-0), COLOR:BLACK  
 CONTACT:COPPER ALLOY  
 RETENTION LEG:PRE-TIN COPPER ALLOY
- ②. FINISH(ALL OVER):NICKEL PLATING  $1.27 \mu\text{m}$  MIN
- ③. FINISH(CONTACT AREA):GOLD PLATING  $0.38 \mu\text{m}$  MIN AFTER ②
- ④. FINISH(CONTACT TAIL):TIN PLATING  $2 \mu\text{m}$  MIN AFTER ②
- 5. THE KEYING ARRANGEMENT OF "Y" IS SYMMETRIC WITH "X".
- 6. THE SHAPE, SIZE AND POSITION OF THE CHARACTER SHOW THE OUTLINE. THEY DON'T SHOW DETAILS.

10	Y	9	18.0	21.0	22.6	2-1939760-0
10	X	9	18.0	21.0	22.6	1-1939760-0
8	Y	7	14.0	17.0	18.6	2-1939760-8
8	X	7	14.0	17.0	18.6	1-1939760-8
4	Y	3	6.0	9.0	10.6	2-1939760-4
4	X	3	6.0	9.0	10.6	1-1939760-4
POS	KEY	n	A	B	C	PART NO

CAVITY MARK (ALPHABET:CAPITAL LETTER)  
 10POS(X-KEY):1-1939760-0

THIS DRAWING IS A CONTROLLED DOCUMENT FOR TYCO ELECTRONICS CORPORATION IT IS SUBJECT TO CHANGE AND THE CONTROLLING ENGINEERING ORGANIZATION SHOULD BE CONTACTED FOR THE LATEST REVISION.		DWN 30JUL2007 M. MAEBASHI CHK 30JUL2007 T. KUDO APVD 30JUL2007 D. MITSUGI		Tyco Electronics Corporation Kawasaki, Japan	
DIMENSIONS: 単位: 耗 mm TOLERANCES UNLESS OTHERWISE SPECIFIED: 一般公差 $\pm 0.3, \pm 3^\circ$ 0-PLC $\pm$ 1-PLC $\pm$ 2-PLC $\pm$ 3-PLC $\pm$ 4-PLC $\pm$ ANGLES $\pm$		PRODUCT SPEC 108-78268 APPLICATION SPEC 114-5377 WEIGHT		NAME 名称 DYNAMIC D1100S 2.0mm PITCH HDR ASSY, H-TYPE 2-10POS SIZE A3 CAGE CODE 00779 DRAWING NO. 1939760 RESTRICTED TO	
MATERIAL 材料 ①		FINISH 仕上 ②③④		CUSTOMER DRAWING SCALE 尺度 4:1 SHEET 1 OF 2 REV BI	

THIS DRAWING IS UNPUBLISHED.

RELEASED FOR PUBLICATION

2007

© COPYRIGHT 2007

BY TYCO ELECTRONICS CORPORATION. ALL INTERNATIONAL RIGHTS RESERVED.

LOC  
J

DIST

REVISIONS

変更

P

LTR

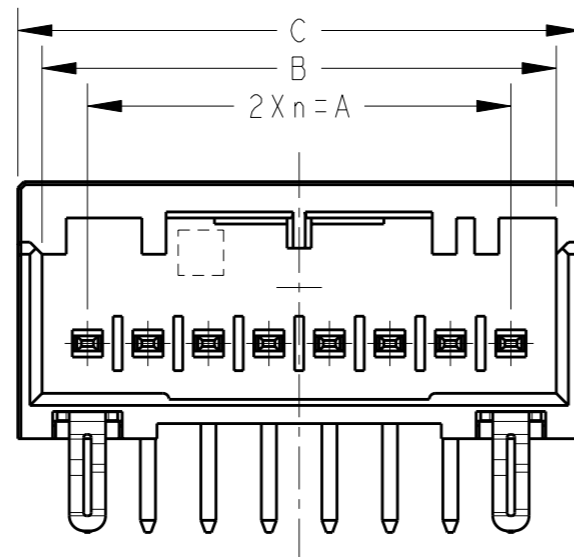
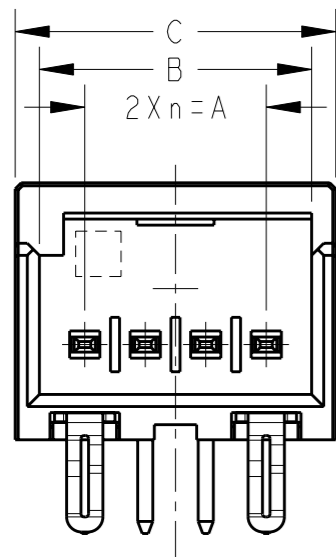
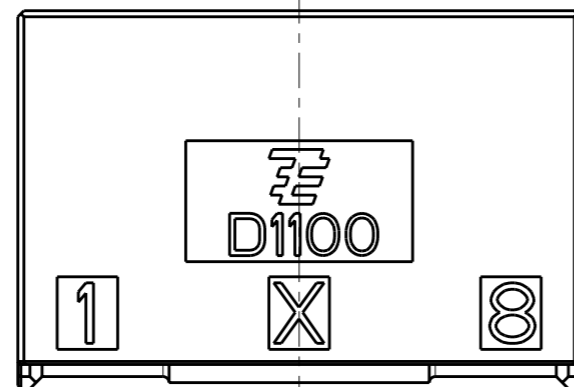
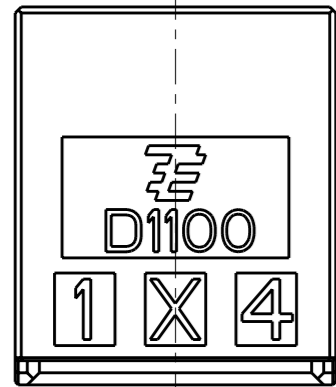
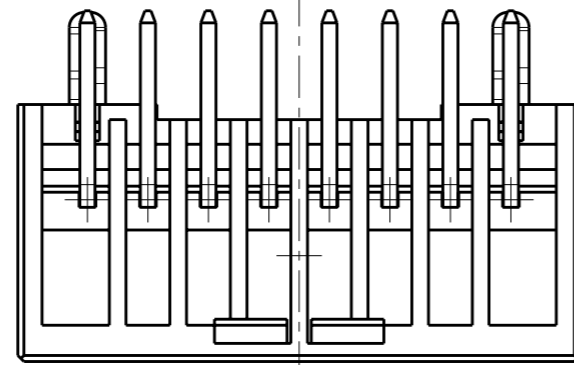
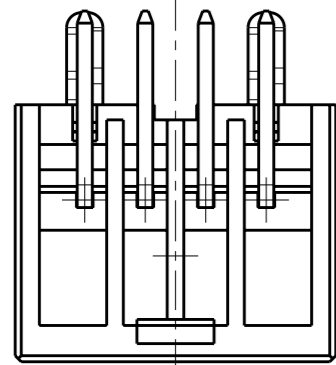
DESCRIPTION

DATE

DWN

APVD

SEE SHEET 1 OF 2

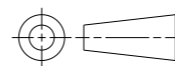


4POS(X-KEY): I-1939760-4

8POS(X-KEY): I-1939760-8

THIS DRAWING IS A CONTROLLED DOCUMENT FOR TYCO ELECTRONICS CORPORATION  
IT IS SUBJECT TO CHANGE AND THE CONTROLLING ENGINEERING ORGANIZATION  
SHOULD BE CONTACTED FOR THE LATEST REVISION.

DIMENSIONS:  
単位: 耗  
mm



TOLERANCES UNLESS  
OTHERWISE SPECIFIED:

- 一般公差
- 0 PLC ±
- 1 PLC ±
- 2 PLC ±
- 3 PLC ±
- 4 PLC ±
- ANGLES ±

MATERIAL  
材料

FINISH  
仕上

DWN 30JUL2007  
M. MAEBASHI

CHK 30JUL2007  
T. KUDO

APVD 30JUL2007  
D. MITSUGI

PRODUCT SPEC  
製品規格  
108-78268

APPLICATION SPEC  
取付適用規格  
114-5377

WEIGHT

CUSTOMER DRAWING



Tyco Electronics Corporation  
Kawasaki, Japan

NAME  
名称  
DYNAMIC D1100S 2.0mmPITCH  
HDR ASSY, H-TYPE  
2-10POS

SIZE A3 CAGE CODE 00779 DRAWING NO. 1939760 RESTRICTED TO

SCALE 4:1 SHEET 2 OF 2 REV B1