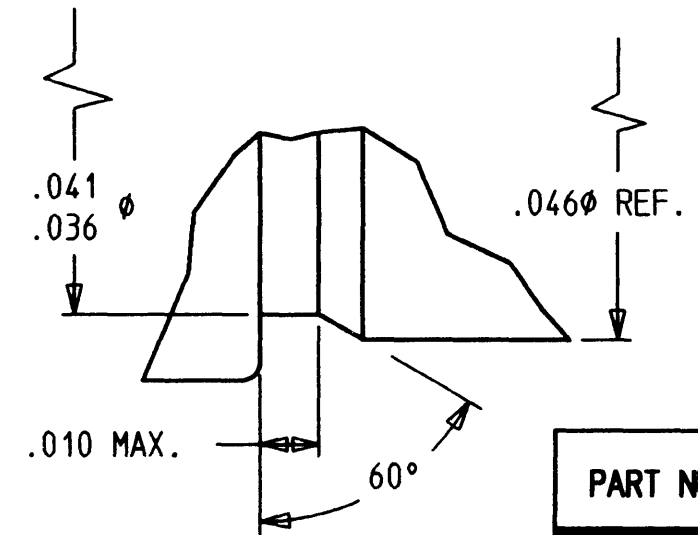
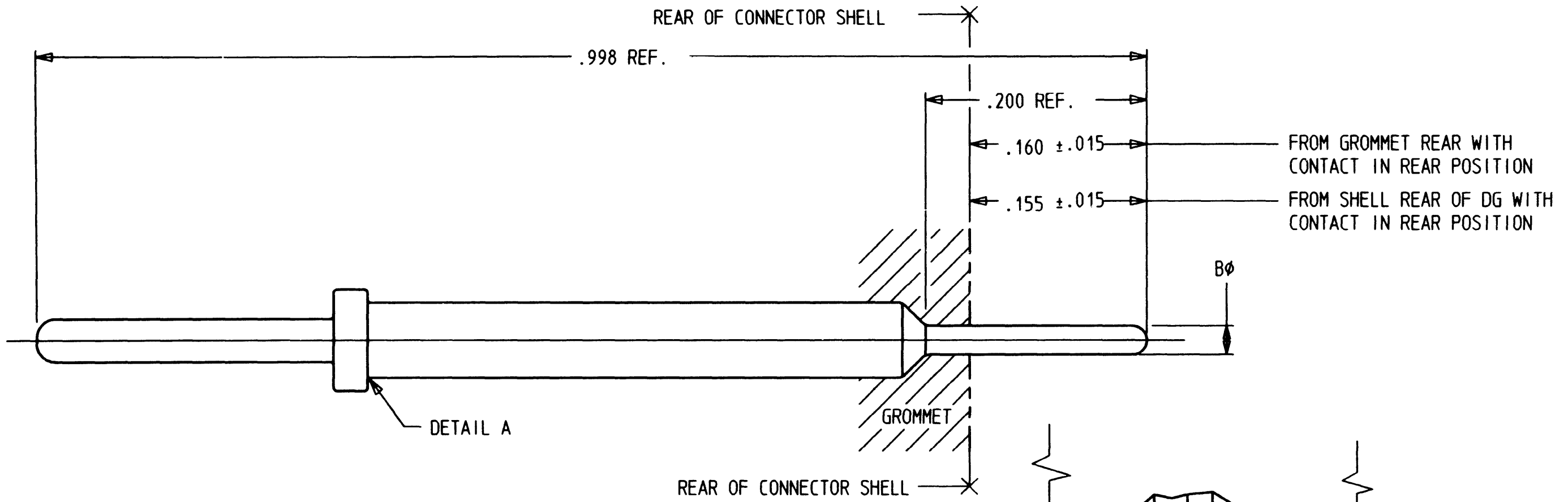


A	1960-201-(**)233	REVISIONS			
		REV	DESCRIPTION	DATE	APPROVED
		A	REVISED PER E.O. C1619	4-12-94	<i>[Signature]</i>



PART NUMBER	SIZE	Bφ ±.002
1960-201-22233	22	.026
1960-201-20233	20	.026
1960-201-16233	16	.040

DETAIL A
SIZE 22 ONLY

- NOTE:
1. DIMENSIONS ARE IN INCHES UNLESS OTHERWISE SPECIFIED.
 2. MATERIAL: CONTACT - COPPER ALLOY.
 3. FINISH: DEUTSCHCOAT V.

SIGNATURE & DATE	
DR	D.WHITACRE 6/27/91
CHK	JO POWELL 8-26-91
PE	D.WHITACRE 6/27/91
APFD	
SCALE	NONE
WT	

**CONTACT. PIN
EXTENDED PIN
DG123A
MIL-C-29600**

ENVELOPE

CP	MATL CODE
DEUTSCH ENGINEERED CONNECTING DEVICES Municipal Airport Banning, California	
B	1960-201-(**)233
DWG SIZE	CODE 11139 SHEET 1 OF 1

1960-201-XX133_env_A