
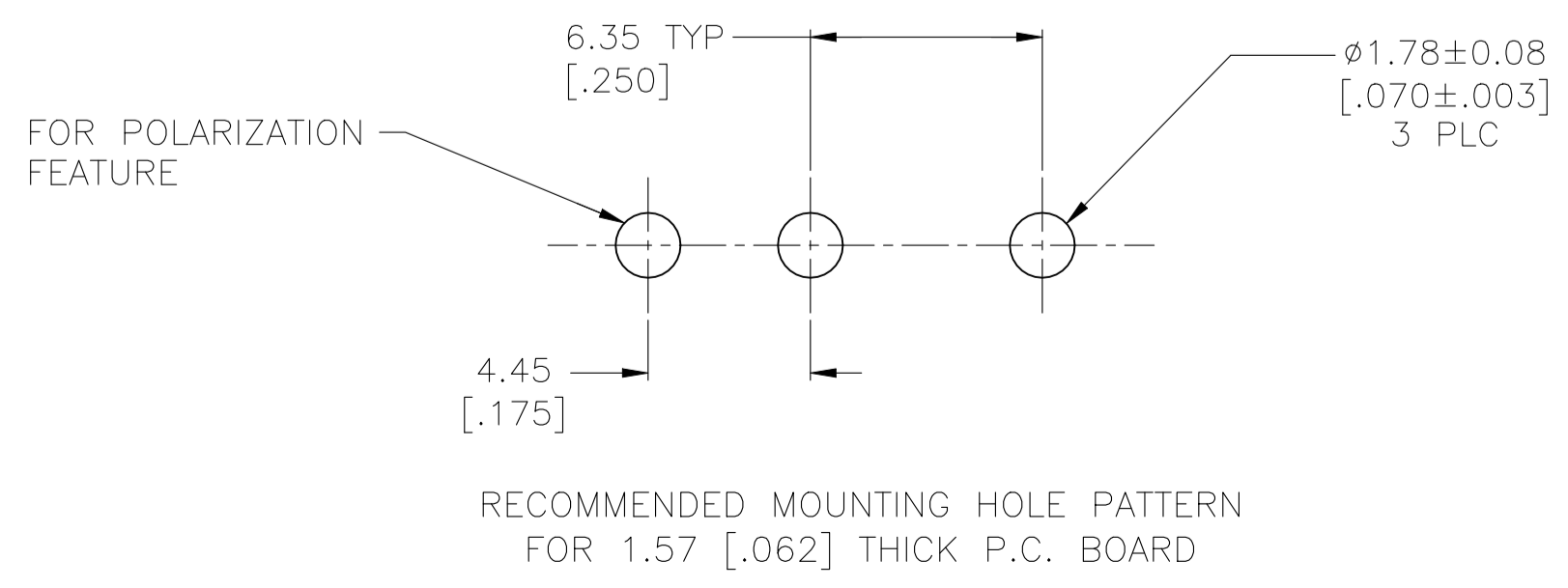
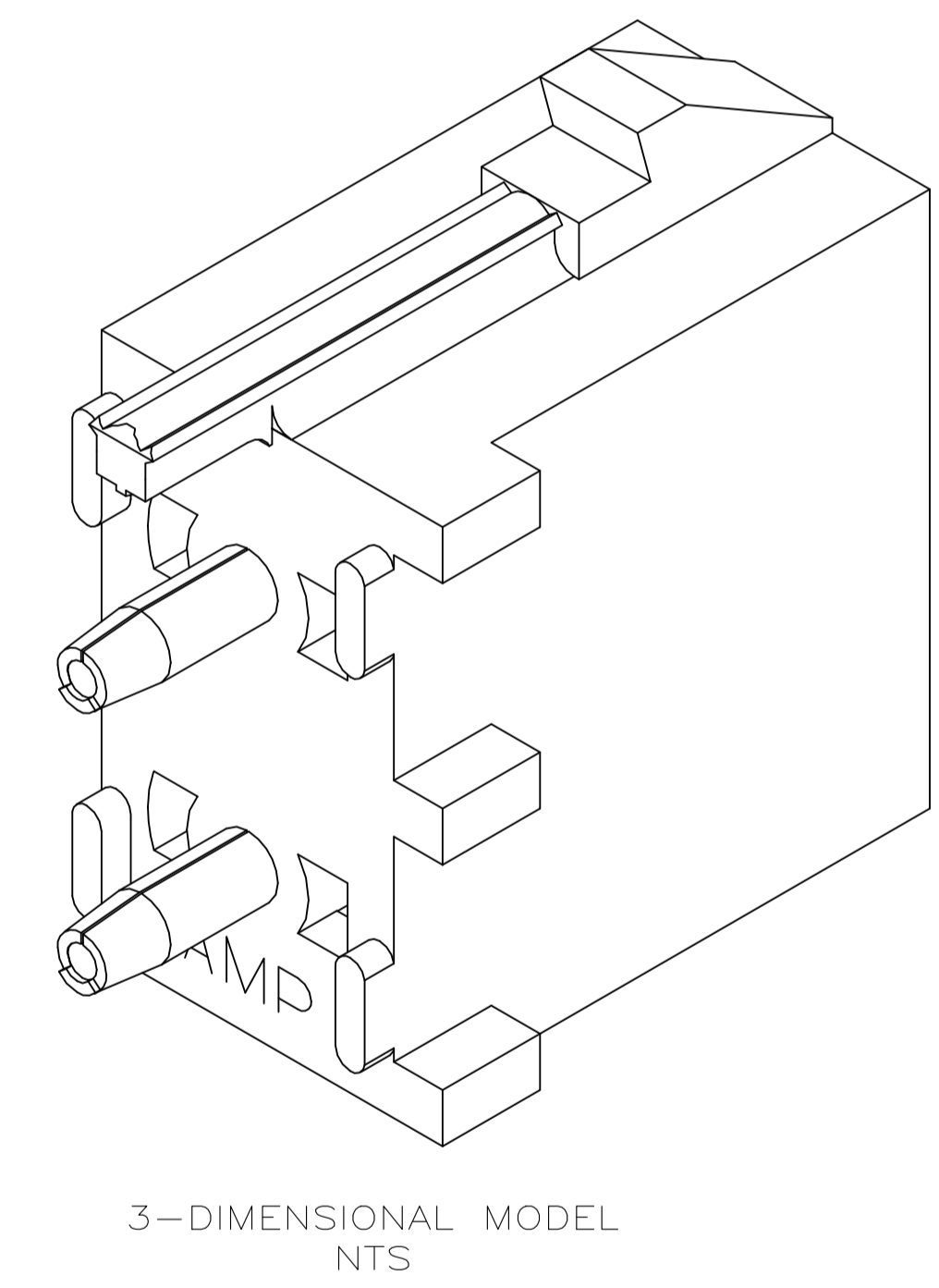
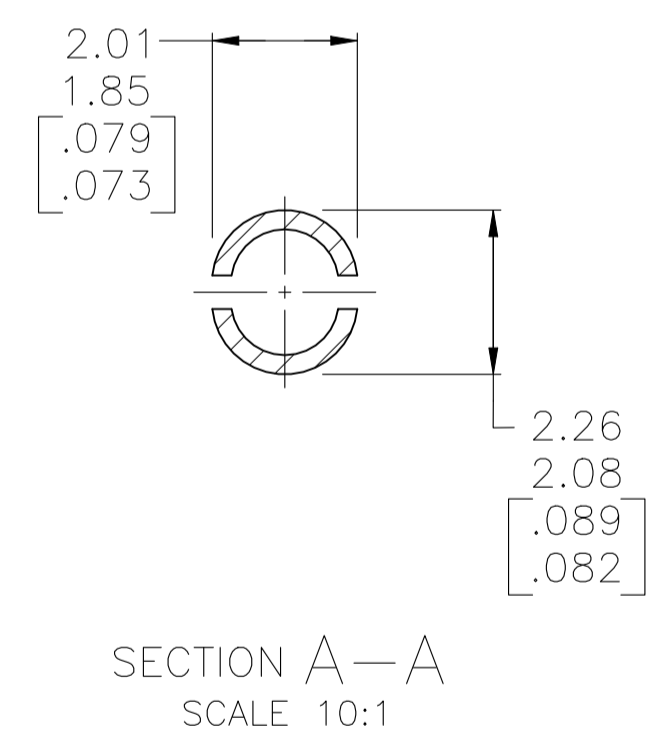
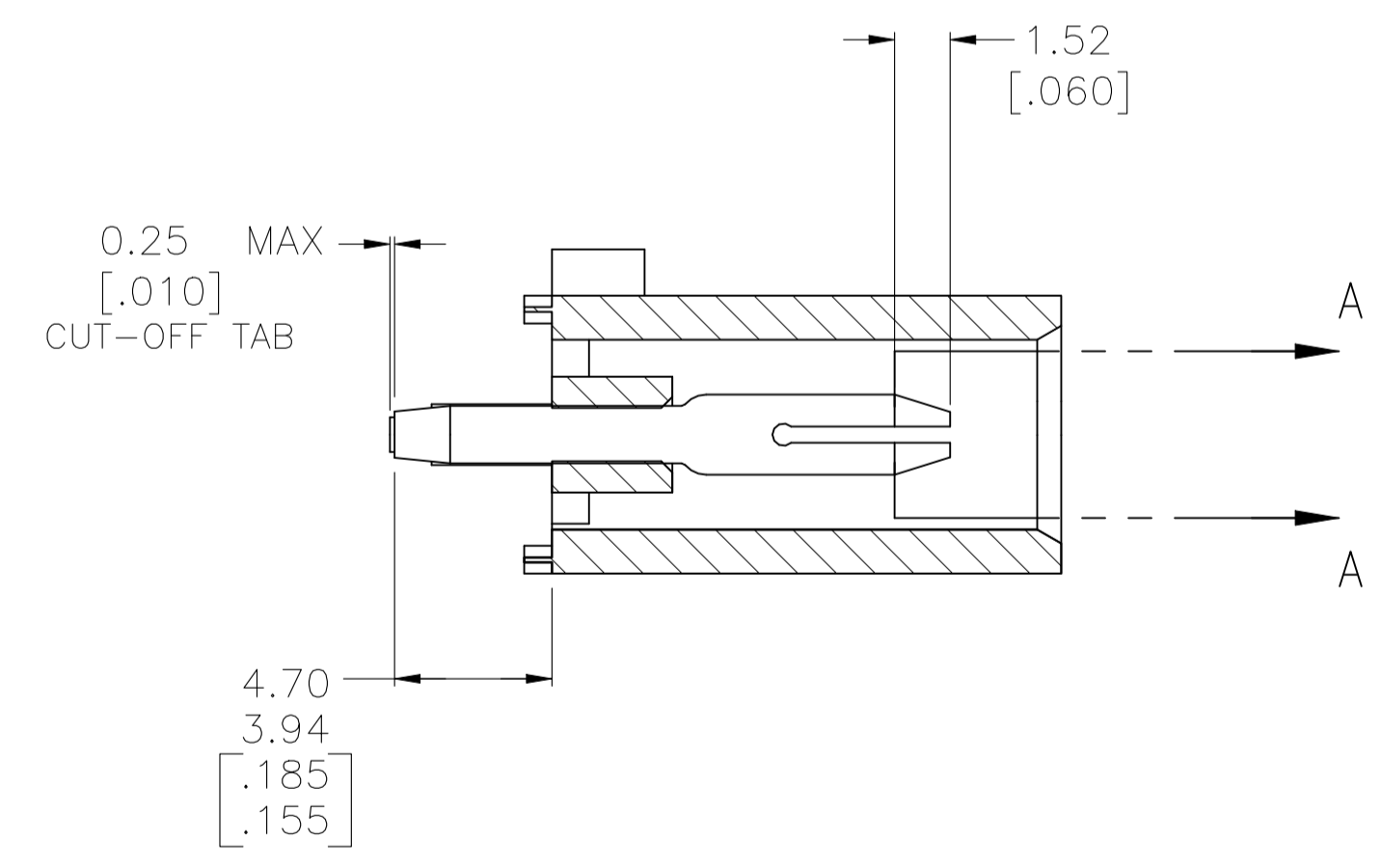
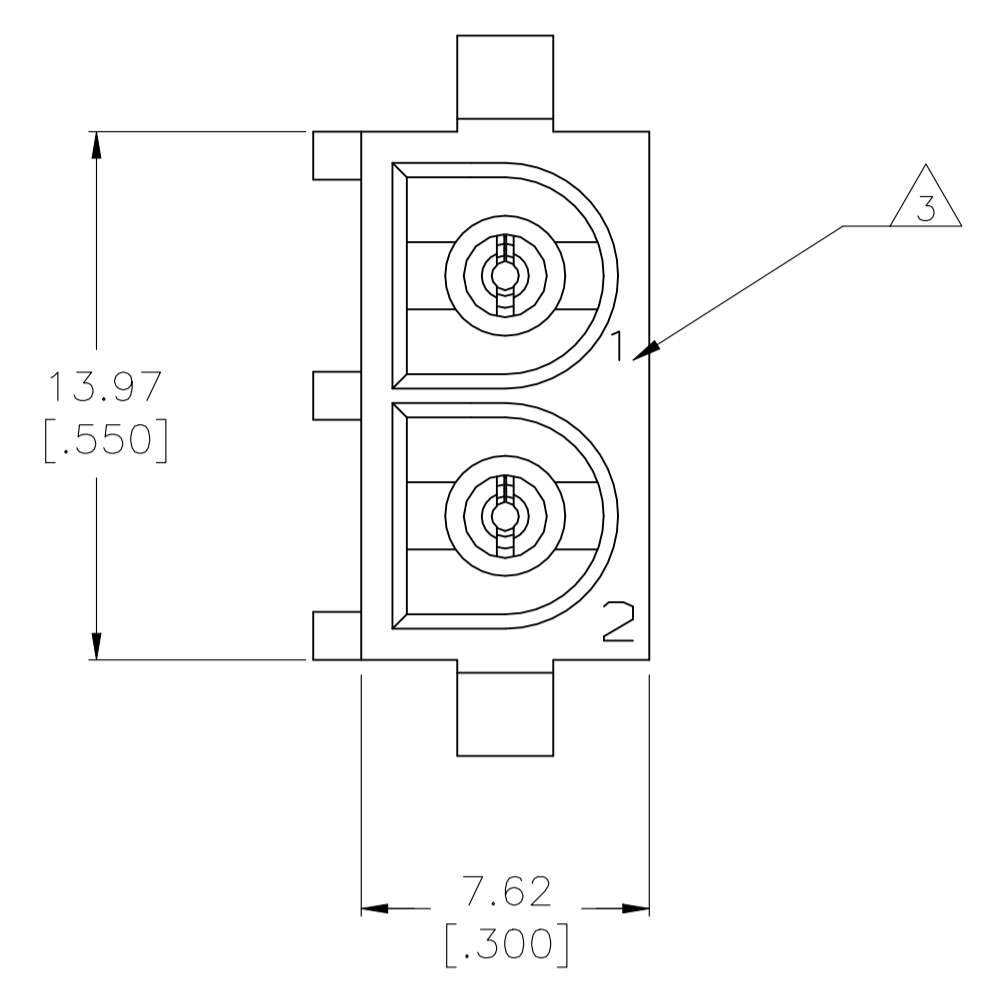
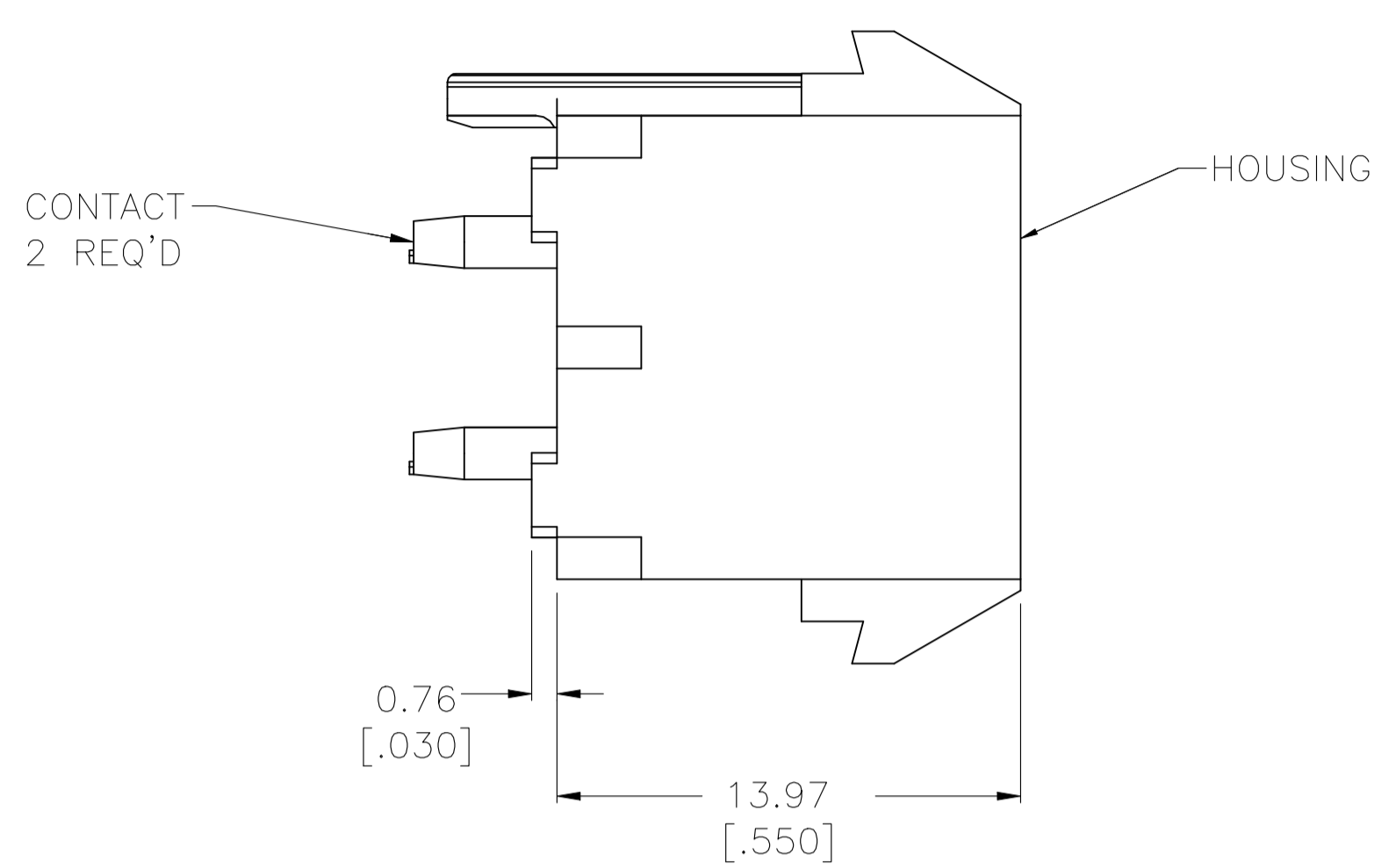
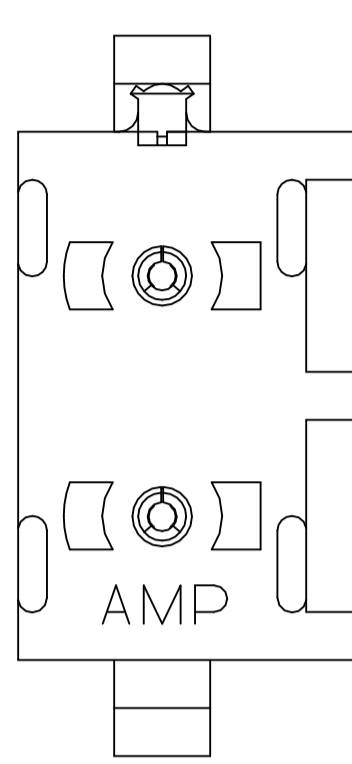


REVISIONS					
REV	DATE	DESCRIPTION	BY	CHK	APP'D
A1	02NOV2021	REVISED PER ECR-21-119230	SS	VS	

- 1 PARTS COMPLY TO AMP SOLDERABILITY SPECIFICATION 109-11-3.
- 2 DIMENSIONS IN BRACKETS ARE IN INCHES.
- 3  CIRCUIT IDENTIFICATION CHARACTERS ARE ADJACENT TO THE INDICATED CAVITIES, BUT LOCATION AND ORIENTATION MAY DIFFER FROM PRINT.
- 4 FLAMMABILITY UL V-0 FOR THICKNESS 0.4, 0.45, 0.8, 1.6, AND 3.0 PER IEC 60695-11-10.
- 5 GLOW WIRE FLAMMABILITY (GWF): 960°C FOR THICKNESS 0.45, 0.8, 1.6, AND 3.0 PER IEC 60695-2-12.
- 6 GLOW WIRE IGNITION (GWI): 825°C FOR THICKNESS 0.45, 800°C FOR THICKNESS 0.8, 775°C FOR THICKNESS 1.6 AND 3.0 PER IEC 60695-2-13.
- 7 DIMENSIONS SHOWN REPRESENT PRODUCT IN DRY CONDITION. ADDITIONAL 2% GROWTH DUE TO END USE LOCATION MOISTURE ABSORPTION MAY OCCUR AND SHOULD BE ACCOUNTED FOR.



THIS DRAWING IS A CONTROLLED DOCUMENT.		DIN 28DEC2015		PHOSPHOR BRONZE, PRE-TIN		NYLON, UL V-0 GW, NATURAL		1969799-1	
DIMENSIONS: mm [INCHES]		TOLERANCES UNLESS OTHERWISE SPECIFIED:		PIN CONTACT MATERIAL AND FINISH		HOUSING MATERIAL		PART NO	
0 PLC ± -		1 PLC ± -		28DEC2015		TE Connectivity			
2 PLC ± 0.13 [.005]		3 PLC ± -		28DEC2015		PIN HEADER ASSEMBLY, POLARIZED, 2 CIRCUIT UNIVERSAL MATE-N-LOK(TM)			
4 PLC ± -		ANGLES ± 0°30'		NAME		SIZE		CAGE CODE	
MATERIAL SEE TABLE		FINISH SEE TABLE		WICKES, EVAN		A1		DRAWING NO	
				WICKES, EVAN		00779		1969799	
				APPLICATION SPEC		CUSTOMER DRAWING		SCALE 5:1	
				WEIGHT 0.000000		SHEET 1 of 1		REV A1	