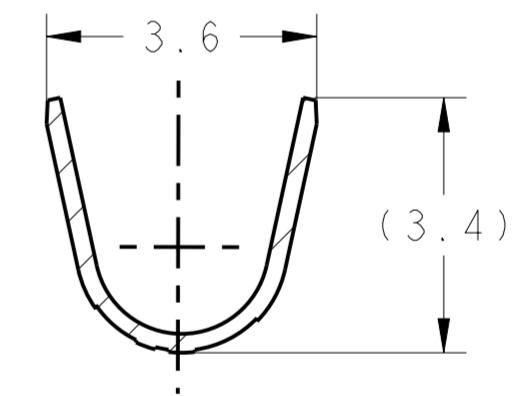
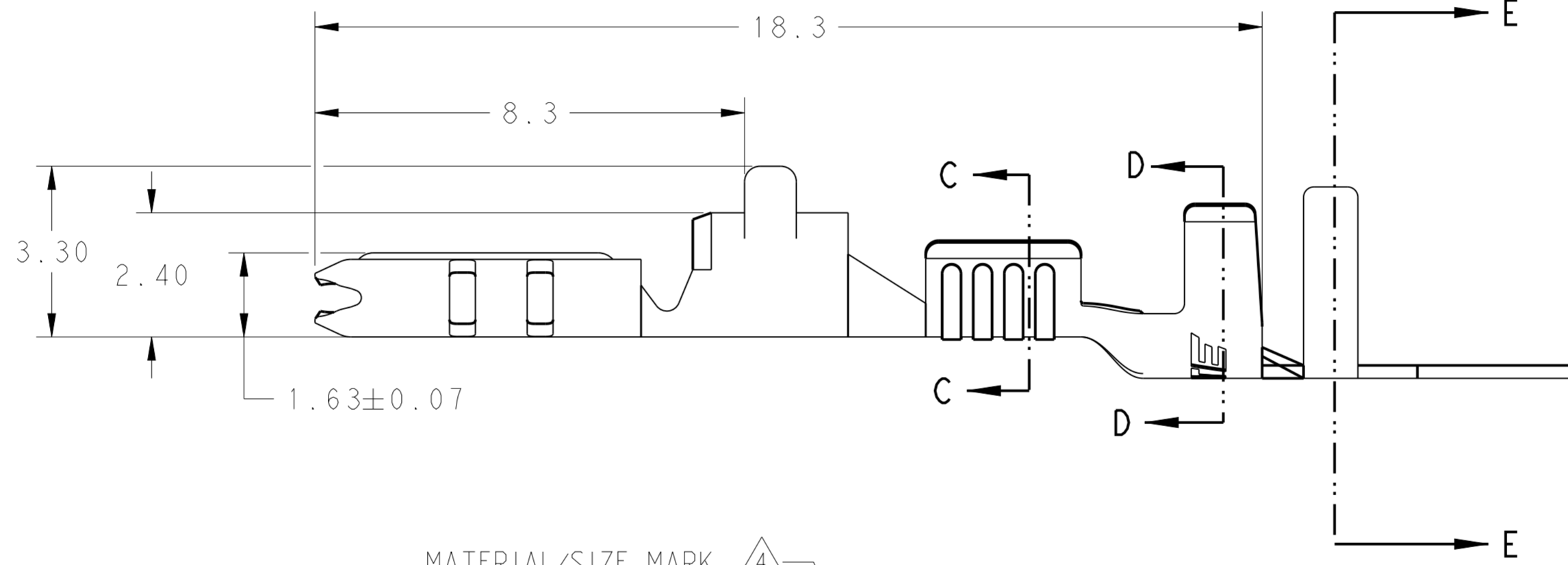
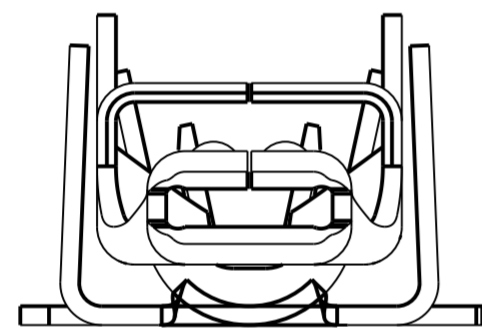
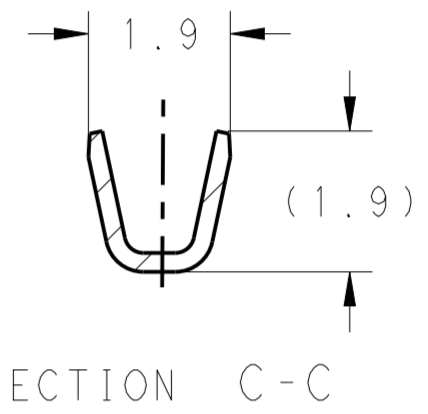
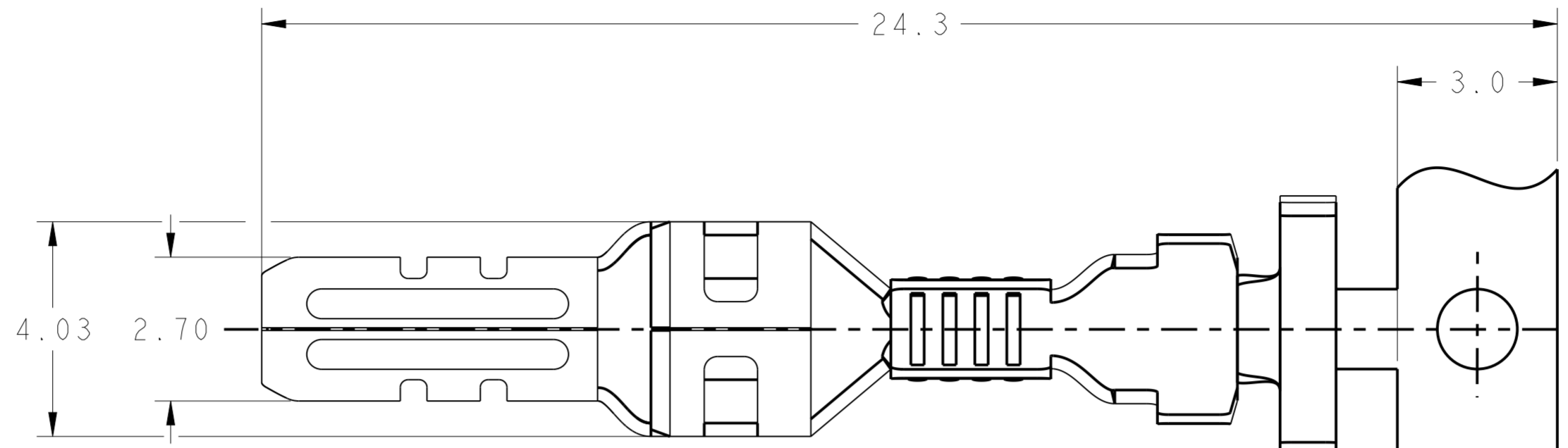
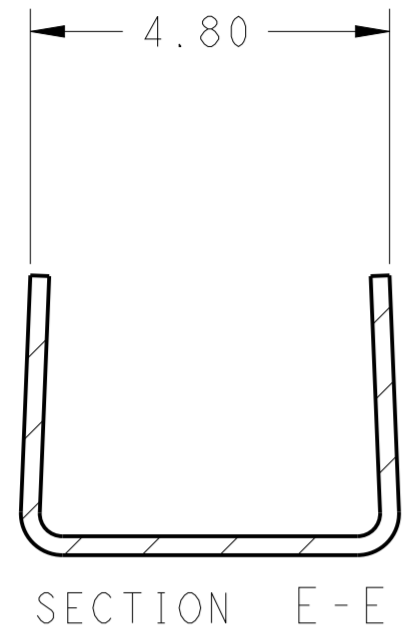
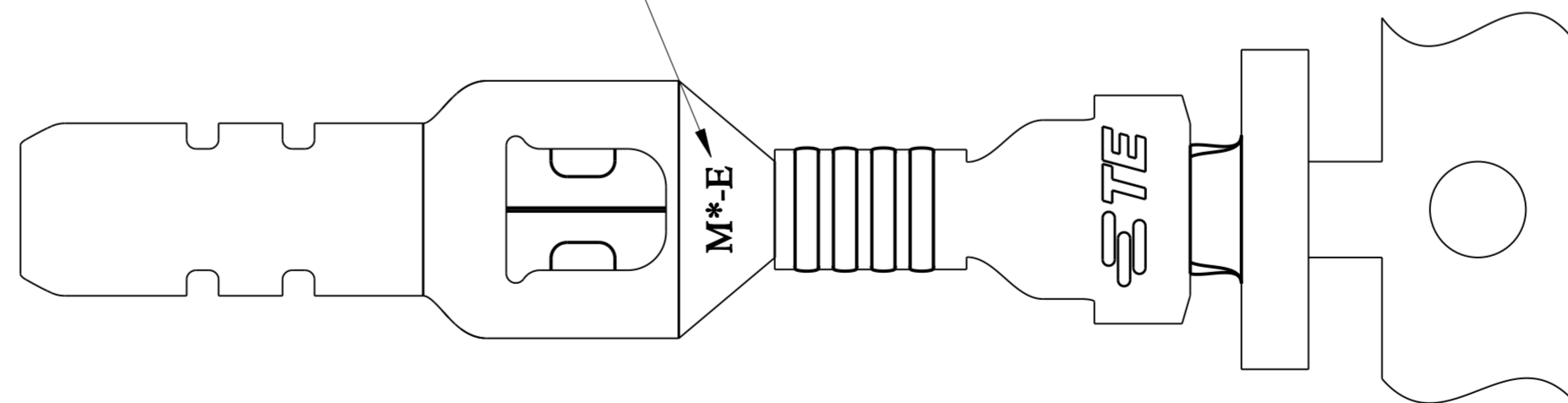


THIS DRAWING IS UNPUBLISHED. RELEASED FOR PUBLICATION 20  
 © COPYRIGHT 20 BY - ALL RIGHTS RESERVED.

LOC	DIST	REVISIONS			
P	LTR	DESCRIPTION	DATE	DWN	APVD
ES	00	F	REVISED PER ECR-21-100678	08APR2021	SS VS



MATERIAL/SIZE MARK  $\triangle$  4



- RECOMMENDED WIRE RANGE: 20~24 AWG COPPER STRANDED (375 - 1200 CMA)
- RECOMMENDED INSULATION DIAMETER: 1.43-2.70mm. INSULATION DIAMETER <1.76mm REQUIRES AN APPLICATOR WITH AN OVERLAP INSULATION CRIMPER.
- APPLICABLE MATED CAP HOUSING P/N:

\*-1971772-\*/\*-1971775-\*/\*-1971875-\*

\*-2232263-\*/\*-2232264-\*/\*-2232357-\*

$\triangle$  WIRE SIZE INDICATOR "E" = 20-24 AWG

COPPER ALLOY	HIGH(150°C)	M0-E	1971786-2
BRASS	STANDARD(105°C)	M8-E	1971786-1
MATERIAL	TEMP. RATING	MATERIAL/SIZE MARK $\triangle$ 4	PART NO

THIS DRAWING IS A CONTROLLED DOCUMENT.		DWN TOMMY WU 11JUL2011	<b>STE</b> TE Connectivity	
DIMENSIONS: mm		CHK HAPYE WU 11JUL2011		
TOLERANCES UNLESS OTHERWISE SPECIFIED:		APVD YUHONG MAO 11JUL2011	NAME	
0 PLC ±		PRODUCT SPEC	TAB CONTACT POWER TRIPLE LOCK	
1 PLC ±0.5		APPLICATION SPEC	-	
2 PLC ±0.30		WEIGHT	SIZE	CAGE CODE
3 PLC ±		Customer Drawing	A2	00779
4 PLC ±		SCALE	5:1	
ANGLES ±		SHEET	1 OF 1	
FINISH		REV	F	