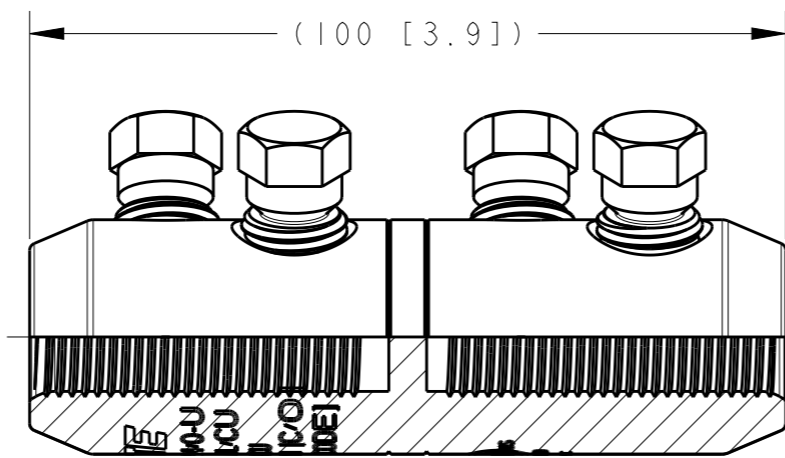
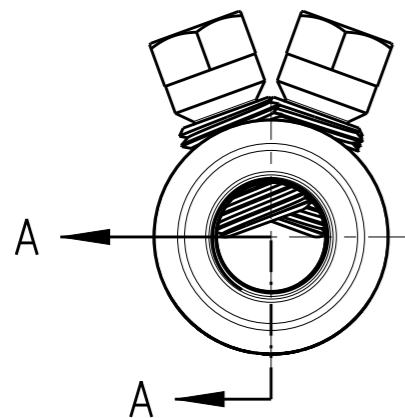
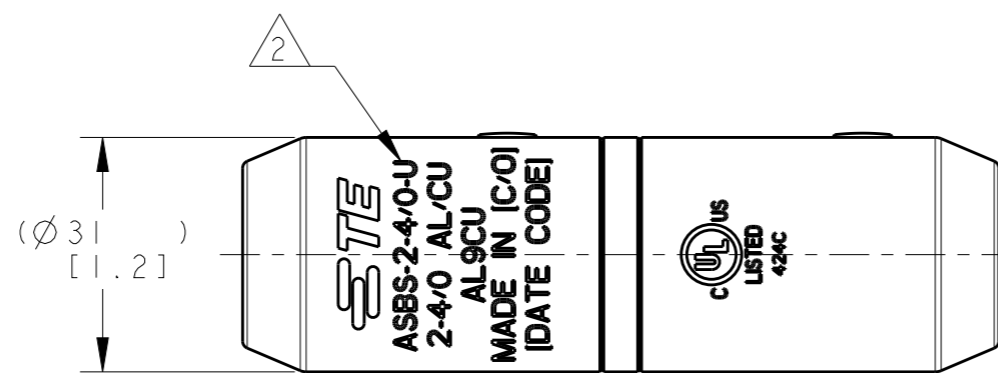


P	LTR	DESCRIPTION	DATE	DWN	APVD
D		LC20-0028-14 / ECO-14-003928	13MAR2014	DM	BJ
E		LC20-0015-15 / ECO-15-001699	29JAN2015	DM	BJ
F		LC20-0096-16 / ECO-16-012326	18AUG2016	DM	BJ
G		LC20-0088-20 / ECO-20-012153	21AUG2020	DM	BJ



SECTION A - A



1. ACCOMMODATES:
 #2 AWG COMPACT Ø6.81 (.268 DIA) TO
 4/0 AWG STANDARD Ø13.41 [.528 DIA]
 ALUMINUM OR COPPER CONDUCTORS.

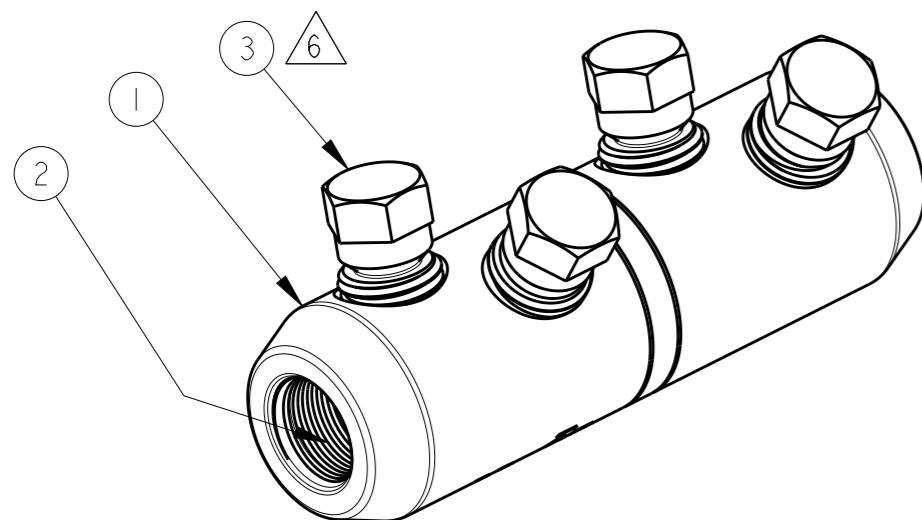
2. MARKING:
STE
 ASBS-2-4/0-U
 2-4/0 AL/CU
 AL9CU
 MADE IN [C/O]
 [DATE CODE]



- 3. ALL DIMENSIONS ARE FOR REFERENCE ONLY.
- 4. CONNECTOR CONTAINS FACTORY APPLIED ANTI-OXIDE INHIBITOR.
- 5. FINISH: ELECTRO-TIN PLATED.
- 6. INSTALL BOLTS WITH 13 mm [1/2 inch] HEX SOCKET.

ASBS-2-4/0-U	1974138-1
CATALOG NO	PART NO

QTY	DESCRIPTION	ITEM NO
1	INSTALLATION INSTRUCTION SHEET, 408-32026	5
1	ABRASIVE TAPE	4
4	MULTI SHEAR HEAD BOLT, M14 SIZE, ALUMINUM ALLOY	3
A/R	INHIBITOR	2
1	CONNECTOR SLEEVE BODY, ALUMINUM ALLOY, TIN PLATED	1



THIS DRAWING IS A CONTROLLED DOCUMENT.	
DIMENSIONS: mm [INCH]	TOLERANCES UNLESS OTHERWISE SPECIFIED:
	0 PLC ±
	1 PLC ±
	2 PLC ±
	3 PLC ±
	4 PLC ±
	ANGLES ±
MATERIAL SEE BOM	FINISH SEE BOM

DWN D. MURUGIAH 19DEC2011	STE TE Connectivity			
CHK A. BULZA 07FEB2012				
APVD B. JOHNSON 07FEB2012	NAME SHEARBOLT SLEEVE CONNECTOR, ALUM, TIN PLATED, SOLID OIL STOP, 2 AWG TO 4/0 AWG			
PRODUCT SPEC -	SIZE A3	CAGE CODE 00779	DRAWING NO C-1974138	RESTRICTED TO
APPLICATION SPEC -	WEIGHT -		SCALE NTS	SHEET 1 OF 1
CUSTOMER DRAWING		REV G		