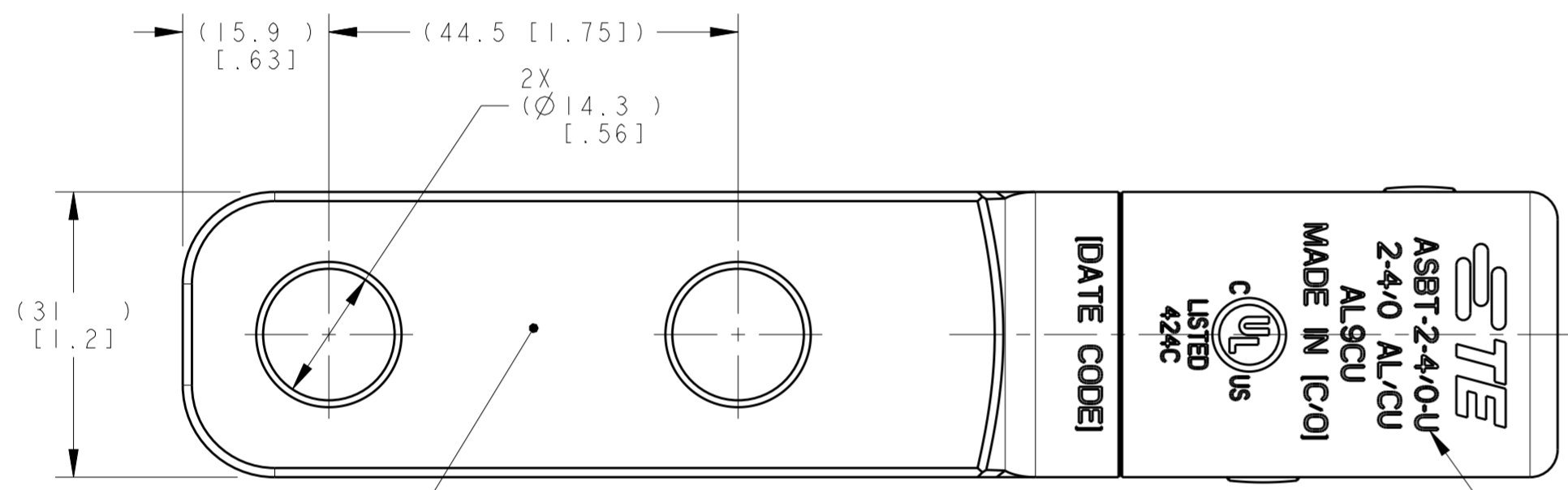
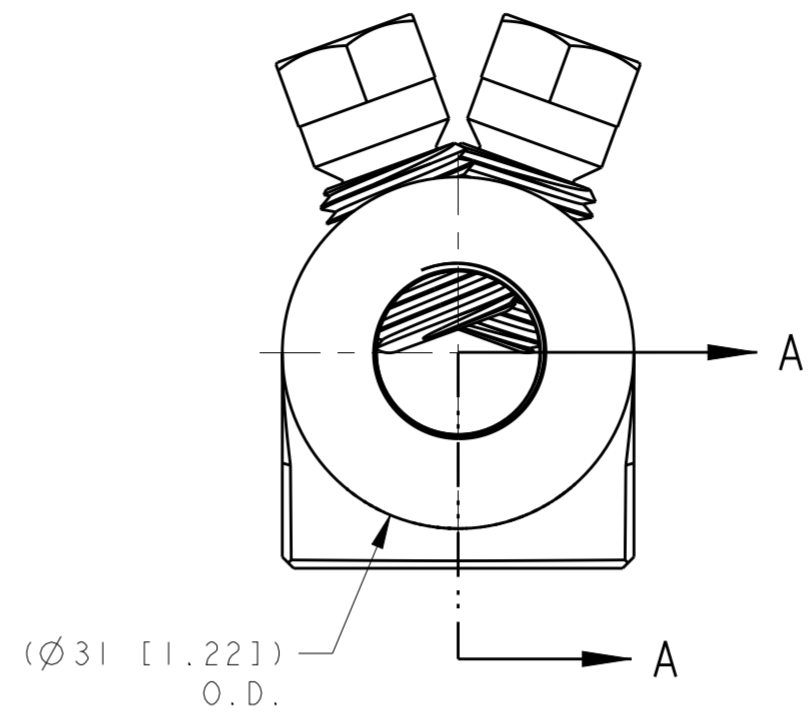
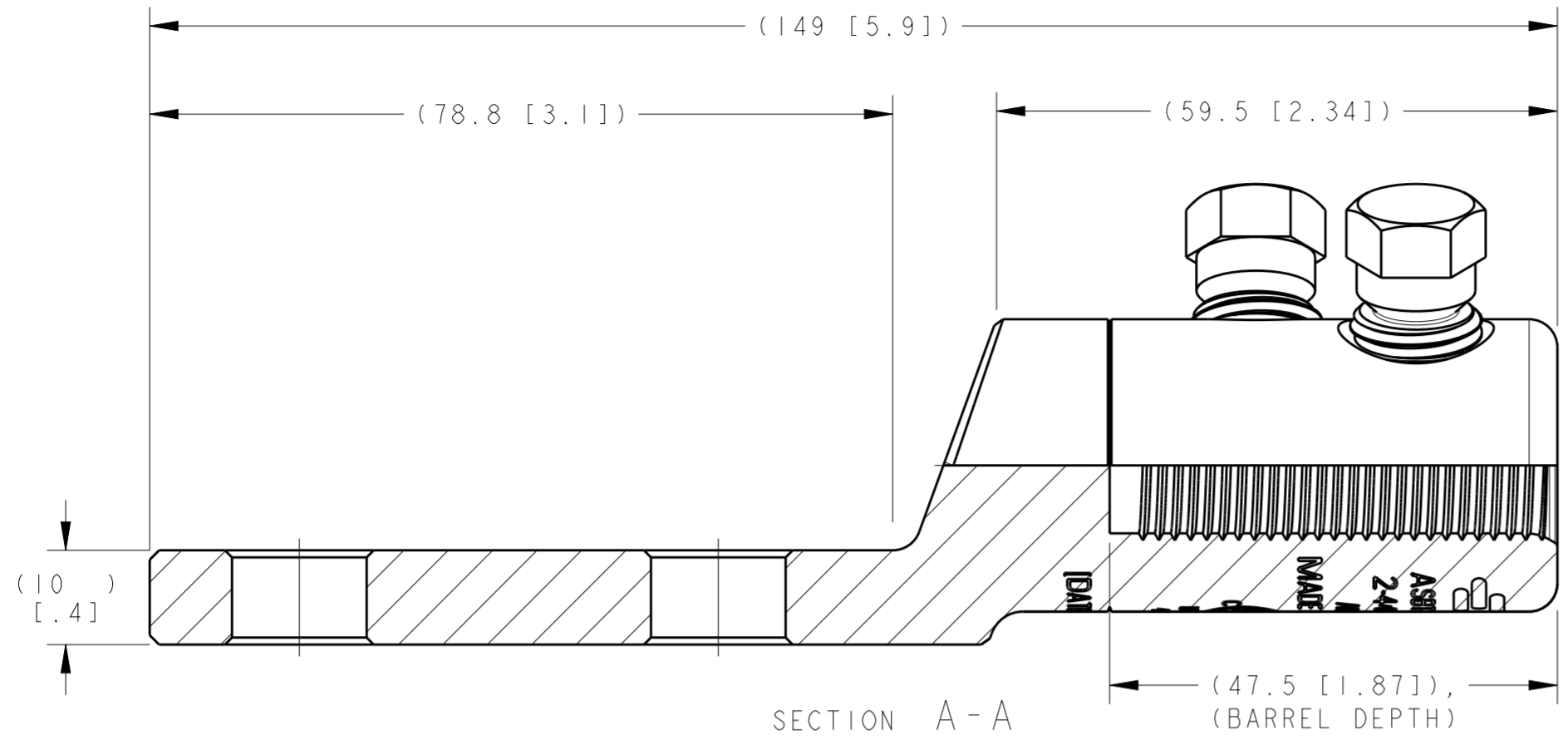


THIS DRAWING IS UNPUBLISHED. RELEASED FOR PUBLICATION 20
 © COPYRIGHT 20 BY - ALL RIGHTS RESERVED.

REVISIONS				
P	LTR	DESCRIPTION	DATE	APVD
C		LC20-0034-14 / ECO-14-004654	25MAR2014	DM BJ
D		LC20-0015-15 / ECO-15-001699	29JAN2015	DM BJ
E		LC20-0098-16 / ECO-16-012468	22AUG2016	DM BJ
F		LC20-0088-20 / ECO-20-012153	21AUG2020	DM BJ



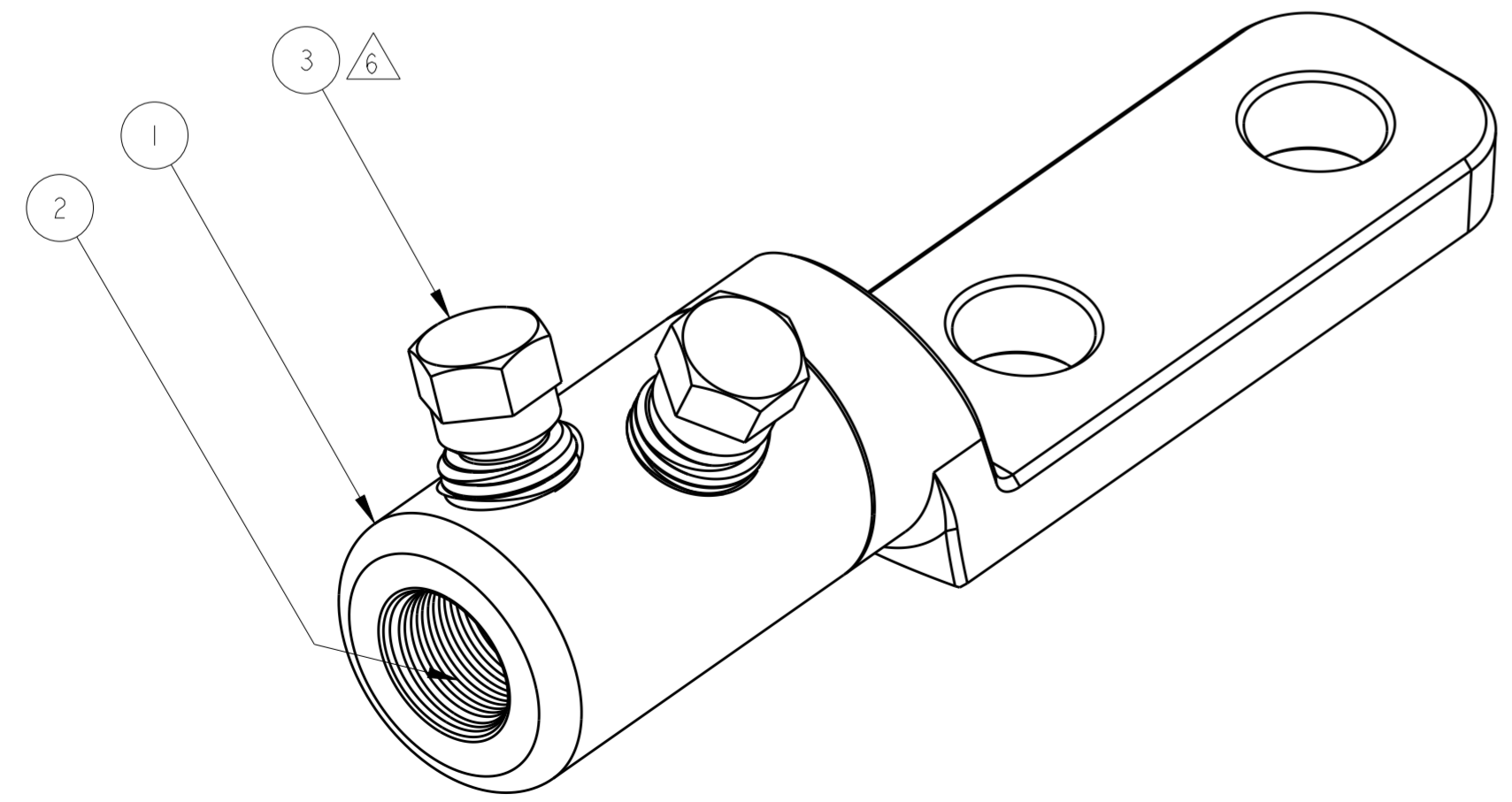
1. ACCOMMODATES:
 #2 AWG COMPACT $\phi 6.81$ (.268 DIA) TO
 4/0 AWG STANDARD $\phi 13.41$ [.528 DIA]
 ALUMINUM OR COPPER CONDUCTORS.

2. MARKING:
STE
 ASBT-2-4/0-U
 2-4/0 AL/CU
 AL9CU
 MADE IN [COUNTRY OF ORIGIN]
 [DATE CODE]



- 3. ALL DIMENSIONS ARE FOR REFERENCE ONLY.
- 4. CONNECTOR CONTAINS FACTORY APPLIED ANTI-OXIDE INHIBITOR.
- 5. FINISH: ELECTRO-TIN PLATED.
- 6. INSTALL BOLTS WITH 13 mm [1/2 inch] HEX SOCKET.

ASBT-2-4/0-U	1974141-1
CATALOG NO.	PART NO.



QTY	DESCRIPTION	ITEM NO
1	INSTALLATION INSTRUCTION SHEET, 408-32025	5
1	ABRASIVE TAPE	4
2	MULTI-SHEAR BOLT, M14 SIZE, ALUMINUM ALLOY	3
A/R	INHIBITOR	2
1	TERMINAL CONNECTOR BODY, ALUMINUM ALLOY, TIN PLATED	1
-1		

THIS DRAWING IS A CONTROLLED DOCUMENT.		DWN D. MURUGLAH 19DEC2011	STE TE Connectivity	
DIMENSIONS: mm [INCH]		CHK A. BULZA 09FEB2012		
TOLERANCES UNLESS OTHERWISE SPECIFIED:		APVD B. JOHNSON 09FEB2012	NAME SHEARBOLT TERMINAL, ALUM, TIN PLATED, 2 AWG TO 4/0 AWG, 2 HOLE NEMA PAD	
0 PLC ±		PRODUCT SPEC	SIZE CAGE CODE DRAWING NO	
1 PLC ±		APPLICATION SPEC	A200779C-1974141	
2 PLC ±		WEIGHT	RESTRICTED TO	
3 PLC ±		MATERIAL SEE BOM	SCALE NTS SHEET OF REV F	
4 PLC ±		FINISH SEE BOM		
ANGLES ±				