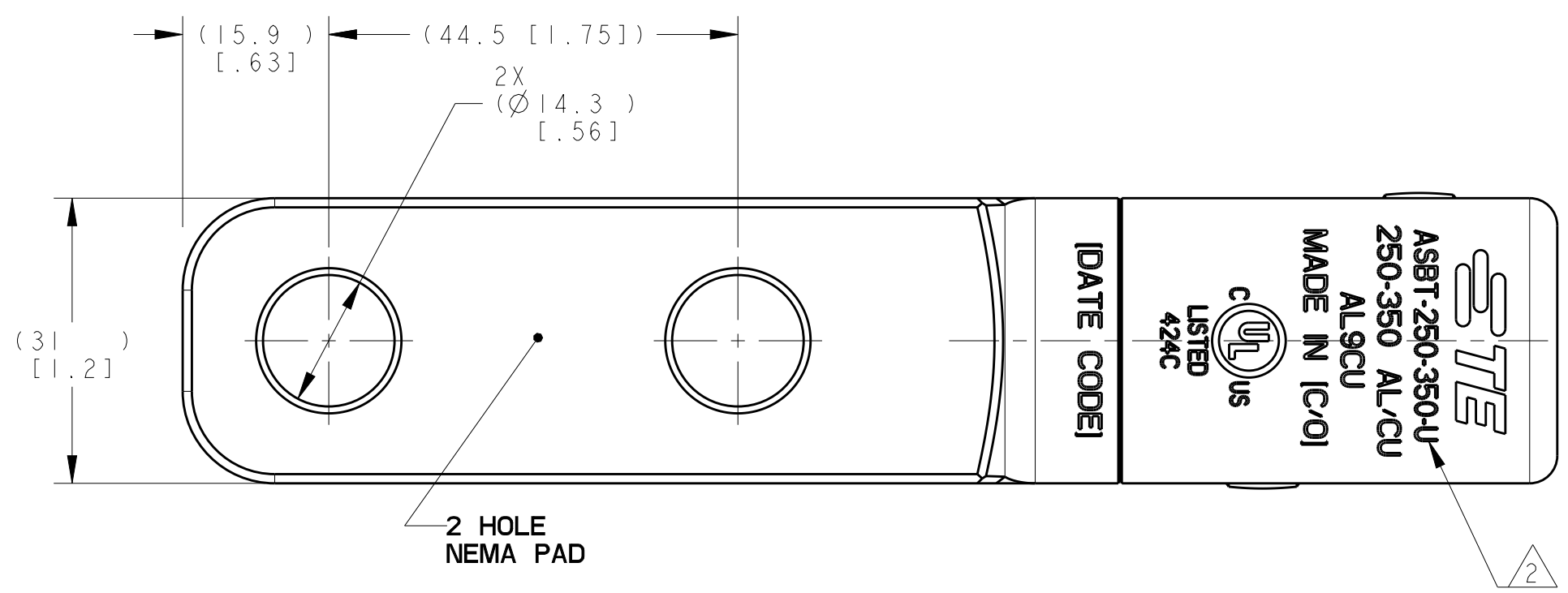
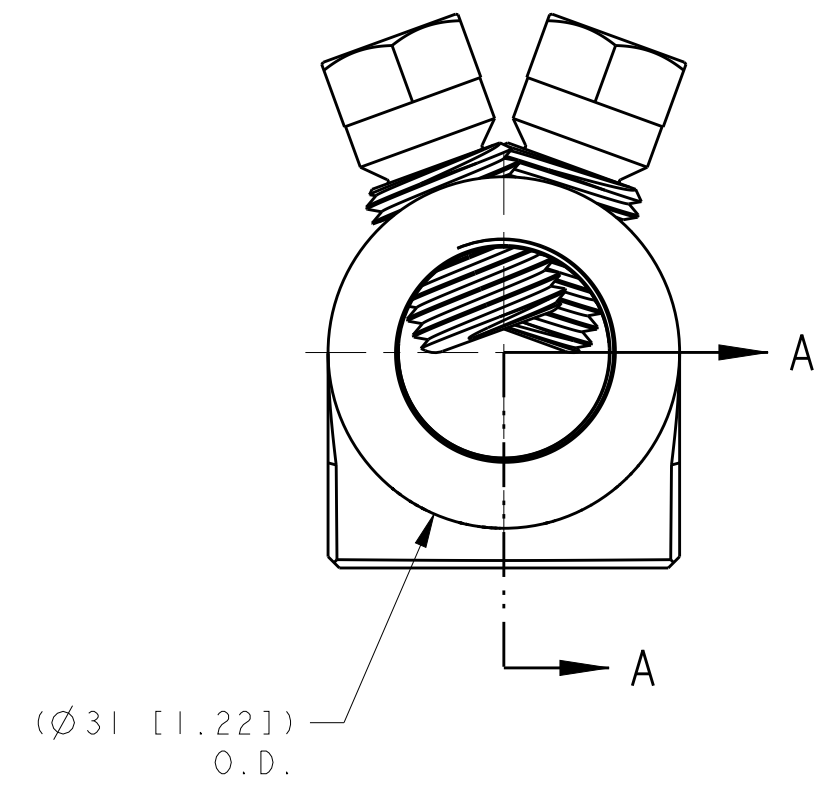
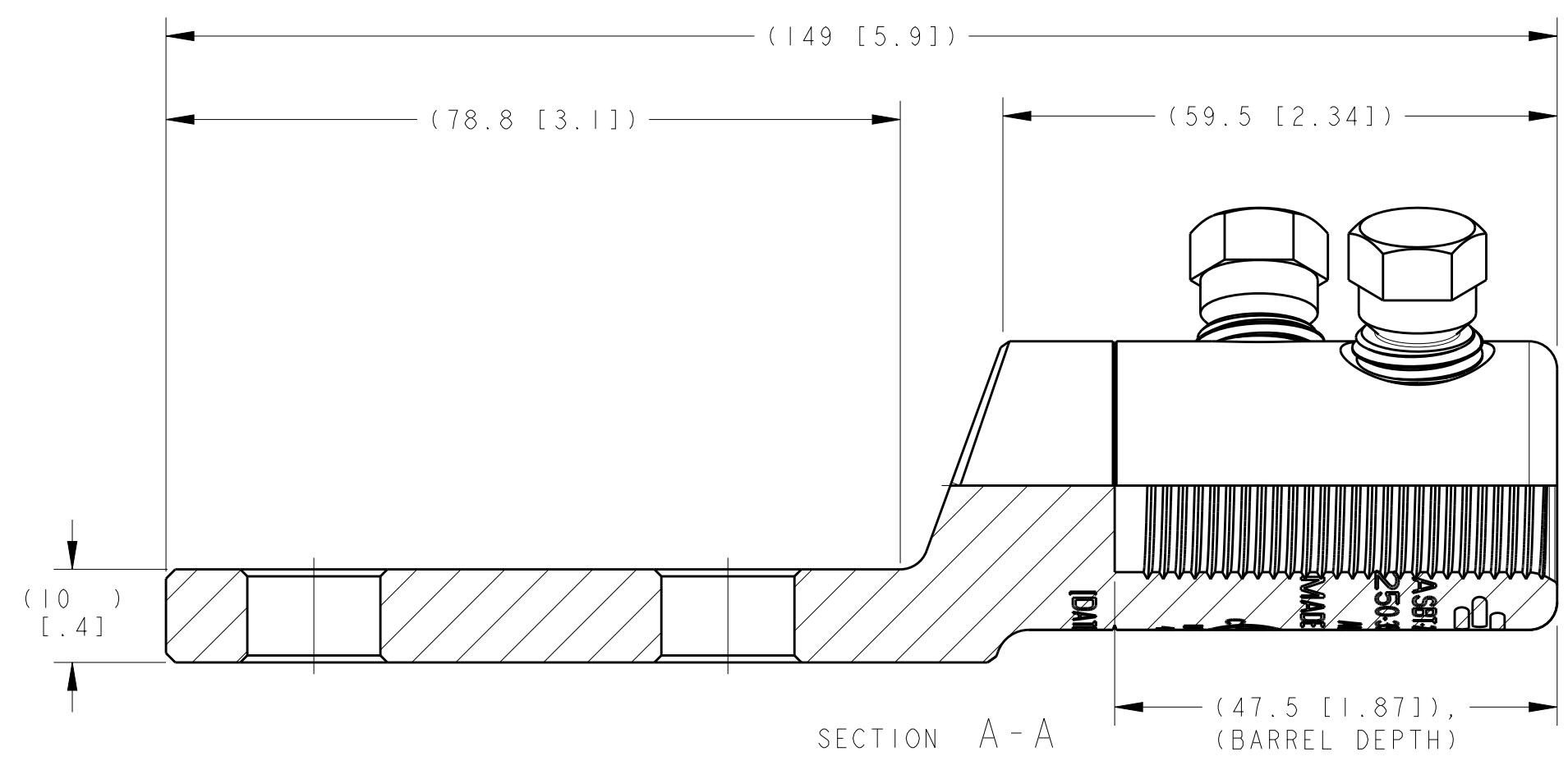


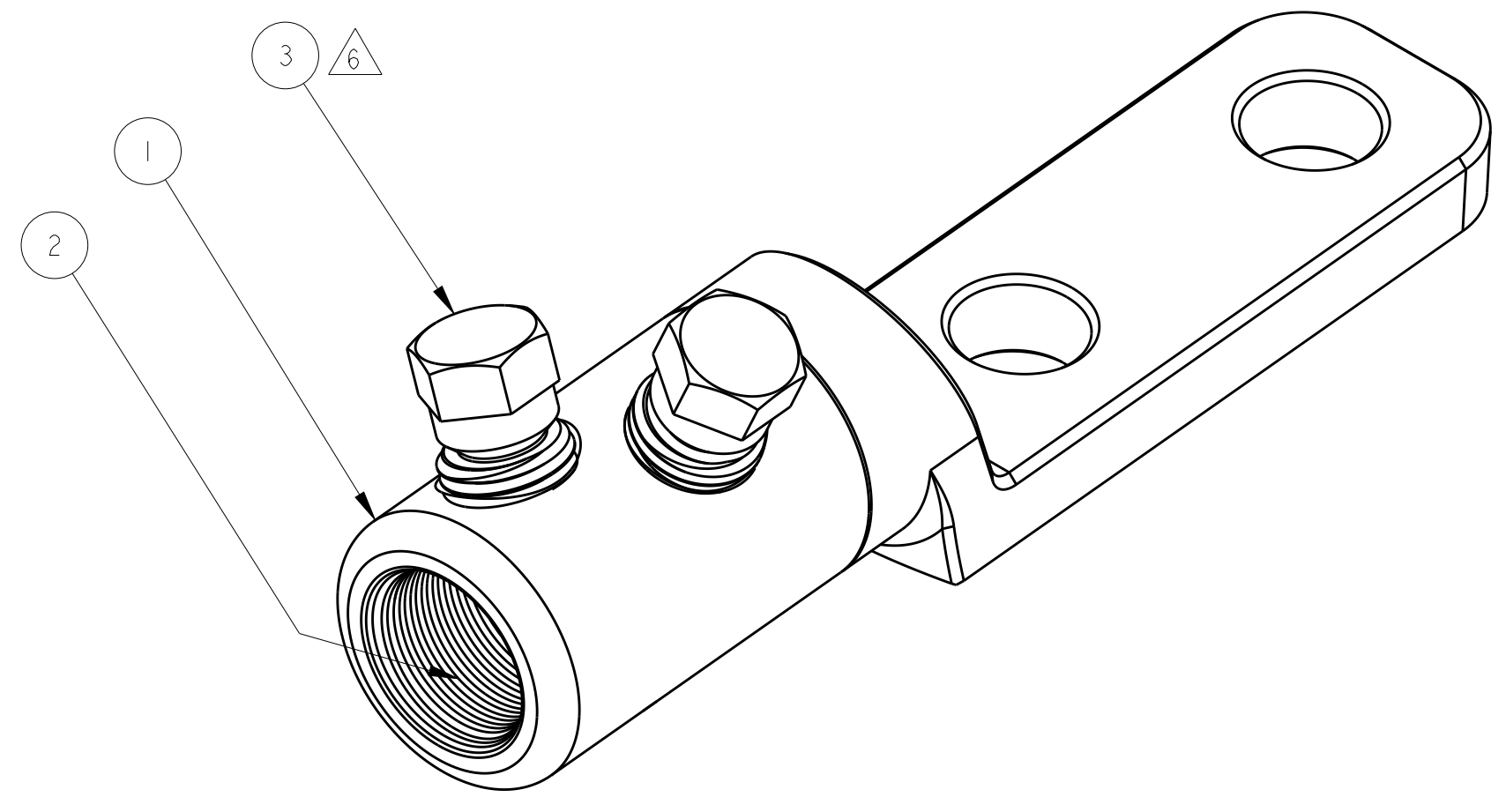
THIS DRAWING IS UNPUBLISHED. RELEASED FOR PUBLICATION 20  
 © COPYRIGHT 20 BY - ALL RIGHTS RESERVED.

REVISIONS					
P	LTR	DESCRIPTION	DATE	DWN	APVD
B		LC20-0073-13 / ECO-13-013303	15AUG2013	DM	BJ
C		LC20-0089-14 / ECO-14-009276	17JUN2014	DM	BJ
D		LC20-0098-16 / ECO-16-012468	22AUG2016	DM	BJ
E		LC20-0088-20 / ECO-20-012153	24AUG2020	DM	BJ



- ACCOMMODATES:  
250 KCMIL COMPACT Ø13.21 (.520 DIA) TO  
350 KCMIL STANDARD Ø17.30 [.681 DIA]  
ALUMINUM OR COPPER CONDUCTORS.
- MARKING:  
**STE**  
ASBT-250-350-U  
250-350 AL/CU  
AL9CU  
MADE IN [COUNTRY OF ORIGIN]  
[DATE CODE]  
**UL LISTED 424C**
- ALL DIMENSIONS ARE FOR REFERENCE ONLY.
- CONNECTOR CONTAINS FACTORY APPLIED ANTI-OXIDE INHIBITOR.
- FINISH:  
ELECTRO-TIN PLATED.
- INSTALL BOLTS WITH 13 mm [1/2 inch] HEX SOCKET.

ASBT-250-350-U	1974142-1
CATALOG NO.	PART NO.



QTY	DESCRIPTION	ITEM NO
1	INSTALLATION INSTRUCTION SHEET, 408-32025	5
1	ABRASIVE TAPE	4
2	MULTI-SHEAR BOLT, M14 SIZE, ALUMINUM ALLOY	3
A/R	INHIBITOR	2
1	TERMINAL CONNECTOR BODY, ALUMINUM ALLOY, TIN PLATED	1
PARTS LIST		

THIS DRAWING IS A CONTROLLED DOCUMENT.

DWN: D. MURUGIAH 19DEC2011	TE Connectivity					
CHK: A. BULZA 09FEB2012						
APVD: B. JOHNSON 09FEB2012						
NAME: SHEARBOLT TERMINAL, ALUMINUM, TIN PLATED, 250 KCMIL TO 350 KCMIL, 2 HOLE NEMA PAD						
DIMENSIONS: mm [INCH]	TOLERANCES UNLESS OTHERWISE SPECIFIED:	PRODUCT SPEC: -	SIZE: A2	CAGE CODE: 00779	DRAWING NO: C-1974142	RESTRICTED TO: -
MATERIAL: SEE BOM	FINISH: SEE BOM	APPLICATION SPEC: -	WEIGHT: -	SCALE: NTS	SHEET: 1 OF 1	REV: E