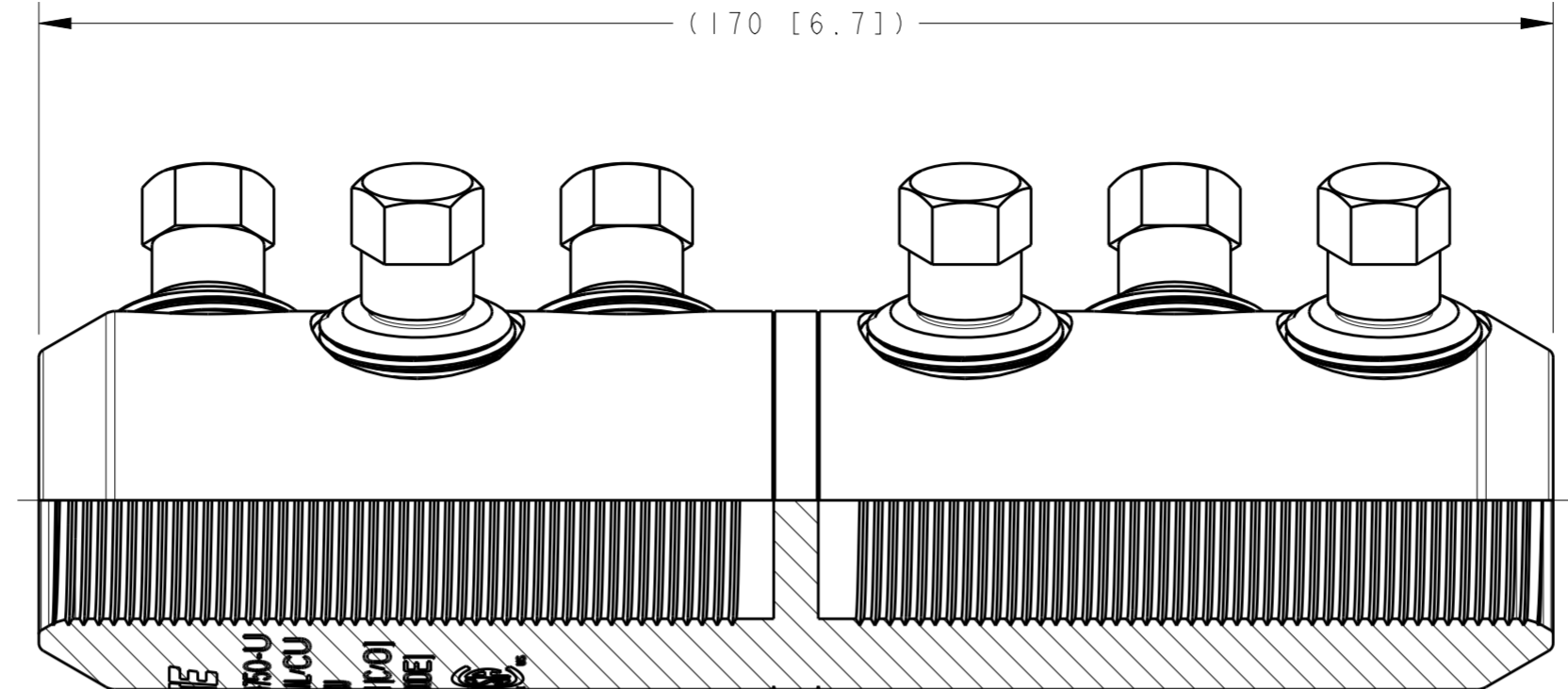
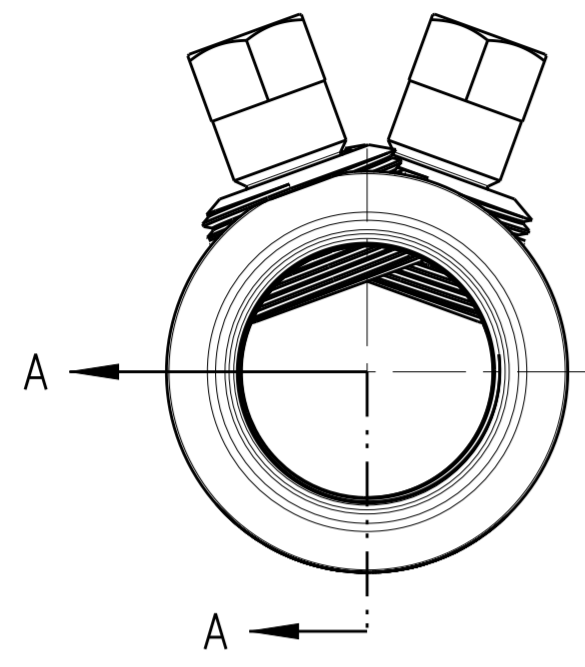
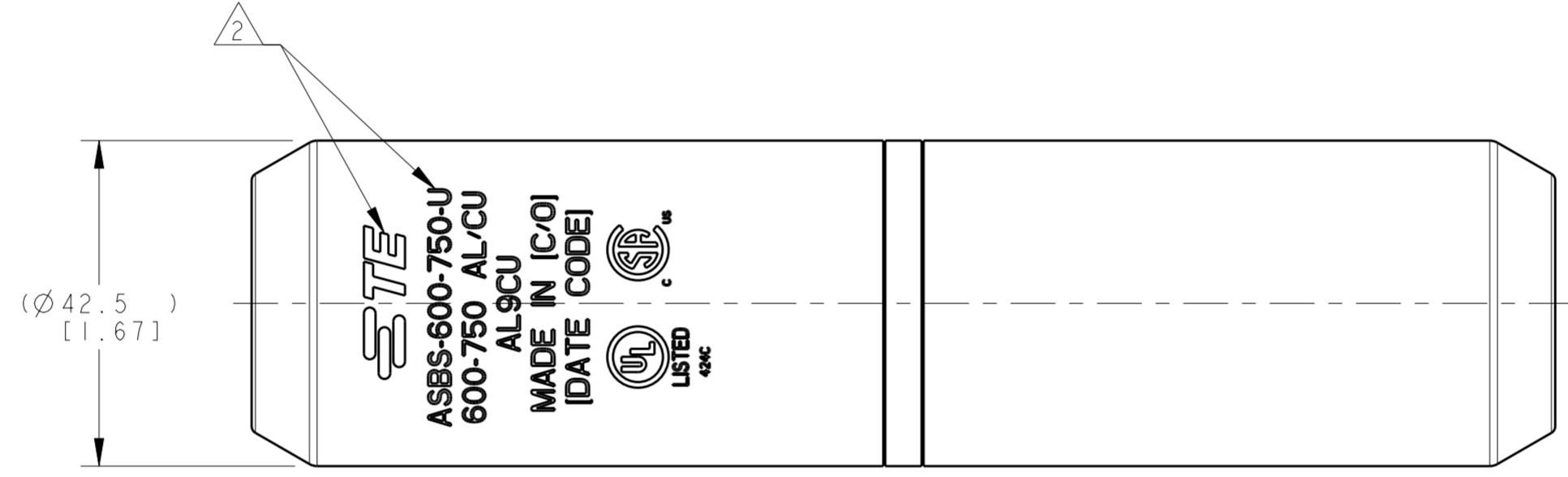


THIS DRAWING IS UNPUBLISHED. RELEASED FOR PUBLICATION 20  
 © COPYRIGHT 20 BY - ALL RIGHTS RESERVED.

LOC	DIST	REVISIONS					
GA	I	P	LTR	DESCRIPTION	DATE	DWN	APVD
		A		INITIAL REL. PER LC20-0002-12	19DEC2011	DM	BJ
		B		LC20-0021-12 / ECO-12-004172	27FEB2012	DM	BJ
		C		LC20-0006-14 / ECO-14-007529	14MAY2014	DM	BJ
		D		LC20-0072-20 / ECO-20-010390	23JUL2020	DM	BJ



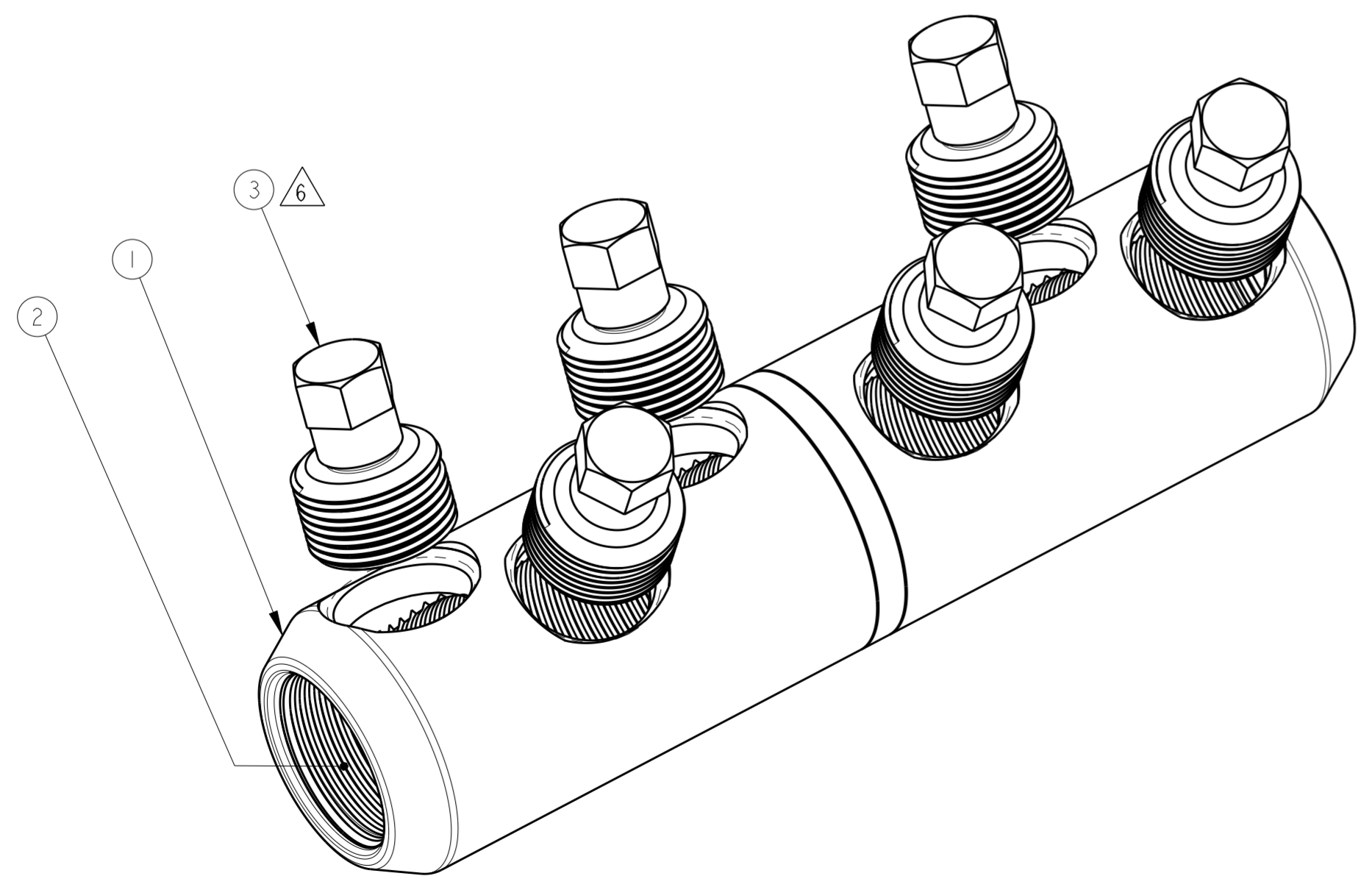
SECTION A - A



1. ACCOMMODATES:  
 600 KCMIL COMPACT Ø20.65 (.813 DIA) TO  
 750 KCMIL STANDARD Ø25.35 (.998 DIA)  
 ALUMINUM OR COPPER CONDUCTORS.

2. MARKING:  
**STE**  
 ASBS 600-750-U  
 600-750 AL/CU  
 AL9CU  
 MADE IN [COUNTRY OF ORIGIN]  
 [DATE CODE]  
 LISTED 424C

- 3. ALL DIMENSIONS ARE FOR REFERENCE ONLY.
- 4. CONNECTOR CONTAINS FACTORY APPLIED ANTI-OXIDE INHIBITOR.
- 5. FINISH: ELECTRO-TIN PLATED.
- 6. INSTALL BOLTS WITH 13 mm [1/2 inch] HEX SOCKET.



ASBS-600-750-U	1974145-1
CATALOG NO	PART NO

QTY	DESCRIPTION	ITEM NO
1	INSTALLATION INSTRUCTION SHEET, 408-32026	5
1	ABRASIVE TAPE	4
6	MULTI SHEAR HEAD BOLT, M22 SIZE, ALUMINUM ALLOY	3
A/R	INHIBITOR	2
1	CONNECTOR SLEEVE BODY, ALUMINUM ALLOY, TIN PLATED	1
-1		
PARTS LIST		

THIS DRAWING IS A CONTROLLED DOCUMENT.

DWN	D. MURUGLAH	19DEC2011
CHK	A. BULZA	07FEB2012
APVD	B. JOHNSON	07FEB2012

TE Connectivity

NAME: SHEARBOLT SLEEVE CONNECTOR, ALUMINUM, SOLID OIL STOP, 600 KCMIL TO 750 KCMIL

SIZE: A2 CAGE CODE: 00779 DRAWING NO: C-1974145 RESTRICTED TO: -

MATERIAL: SEE BOM TOLERANCES UNLESS OTHERWISE SPECIFIED: SEE BOM

Customer Drawing SCALE: NTS SHEET 1 OF 1 REV D