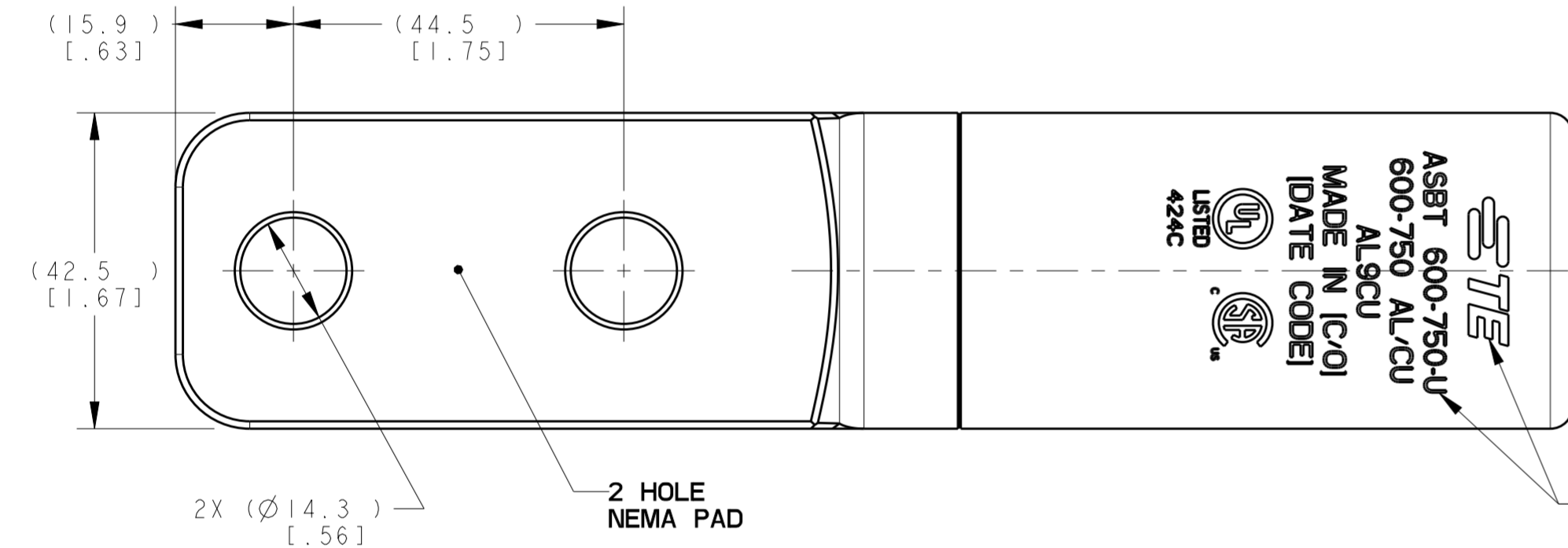
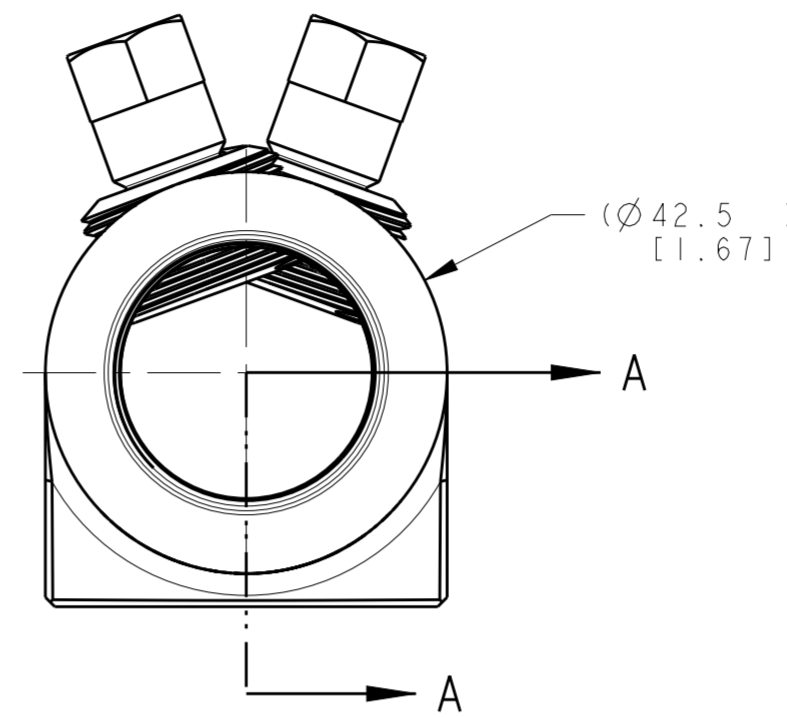
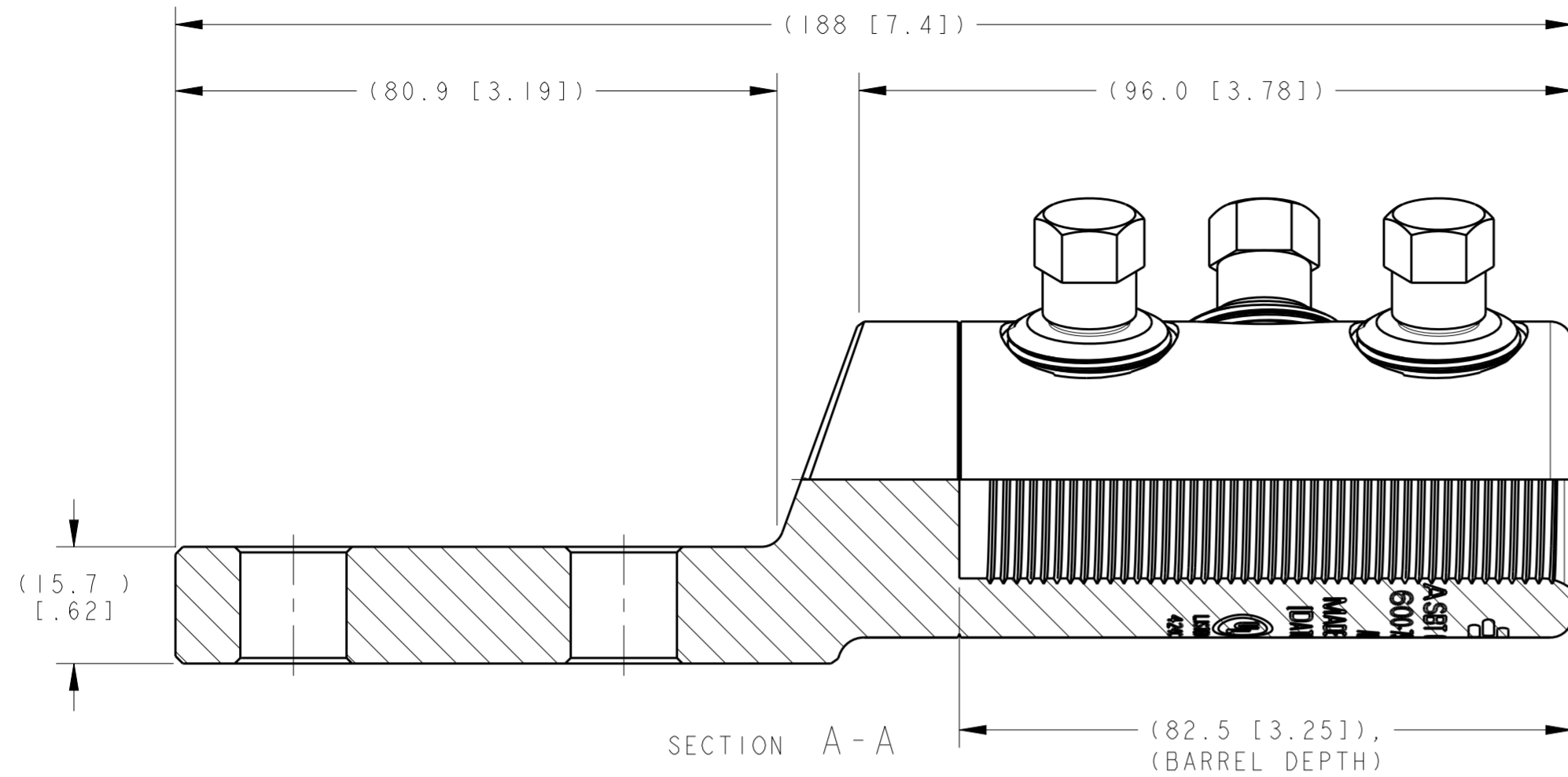


REVISIONS				
P	LTR	DESCRIPTION	DATE	APVD
A		INITIAL REL. PER LC20-0002-12	19DEC2011	DM BJ
B		LC20-0022-12 / ECO-12-004321	01MAR2012	DM BJ
C		LC20-0072-14 / ECO-14-007911	21MAY2014	DM BJ
D		LC20-0080-20 / ECO-20-011173	07AUG2020	DM BJ



1. ACCOMMODATES:
600 KCMIL COMPACT Ø20.65 (.813 DIA) TO
750 KCMIL STANDARD Ø25.35 (.998 DIA)
ALUMINUM OR COPPER CONDUCTORS.

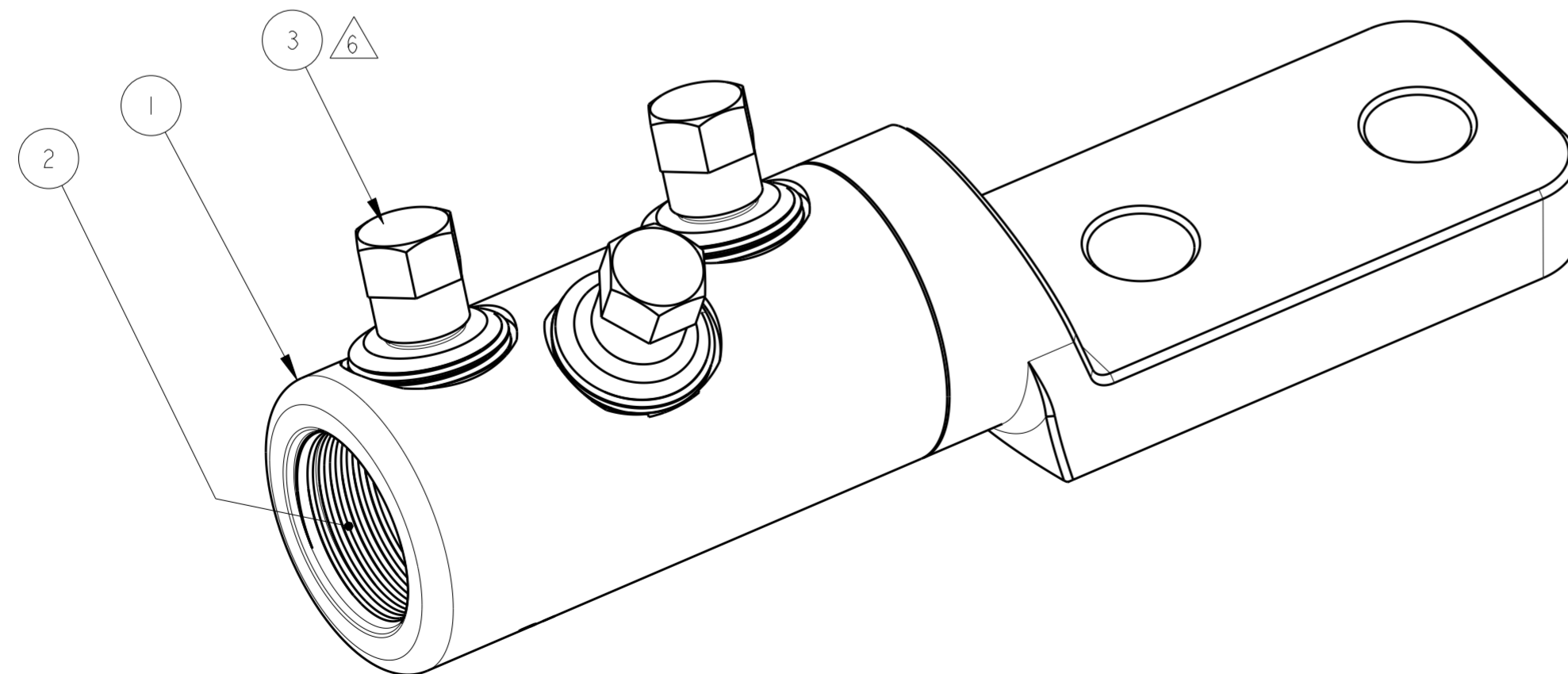
2. MARKING:

STE
ASBT-600-750-U
600-750 AL/CU
AL9CU
MADE IN [COUNTRY OF ORIGIN]
[DATE CODE]



- 3. ALL DIMENSIONS ARE FOR REFERENCE ONLY.
- 4. CONNECTOR CONTAINS FACTORY APPLIED ANTI-OXIDE INHIBITOR.
- 5. FINISH: ELECTRO-TIN PLATED.
- 6. INSTALL BOLTS WITH 13 mm [1/2 inch] HEX SOCKET.

ASBT-600-750-U	1974149-1
CATALOG NO.	TCPN



1	INSTALLATION INSTRUCTION SHEET, 408-32025	5
1	ABRASIVE TAPE	4
3	SHEAR HEAD BOLT, M22 SIZE, ALUMINUM ALLOY	3
A/R	INHIBITOR	2
1	TERMINAL CONNECTOR BODY, ALUMINUM ALLOY, TIN PLATED	1
-1	DESCRIPTION	ITEM NO
QTY	PARTS LIST	

THIS DRAWING IS A CONTROLLED DOCUMENT.		DWN D. MURUGLAH 19DEC2011	STE TE Connectivity	
DIMENSIONS: mm [INCH]		CHK A. BULZA 09FEB2012		
TOLERANCES UNLESS OTHERWISE SPECIFIED:		APVD B. JOHNSON 09FEB2012	NAME SHEARBOLT TERMINAL, ALUMINUM, 2 HOLE NEMA PAD, 600 TO 750 KCMIL CONDUCTORS	
0 PLC ±		PRODUCT SPEC	SIZE CAGE CODE DRAWING NO	
1 PLC ±		APPLICATION SPEC	RESTRICTED TO	
2 PLC ±		WEIGHT	A200779C-1974149	
3 PLC ±		CUSTOMER DRAWING	SCALE 5:4	SHEET 1 OF 1
4 PLC ±				REV D
ANGLES ±				
FINISH				
MATERIAL SEE BOM				
SEE BOM				