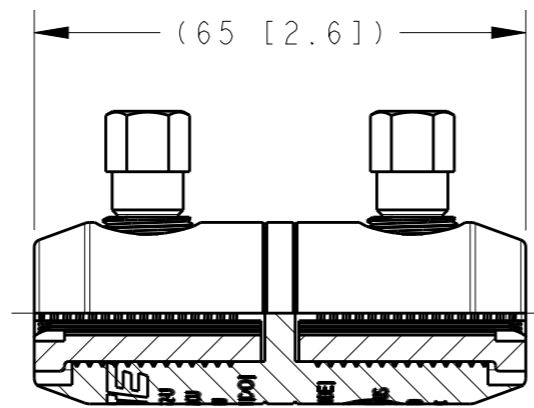
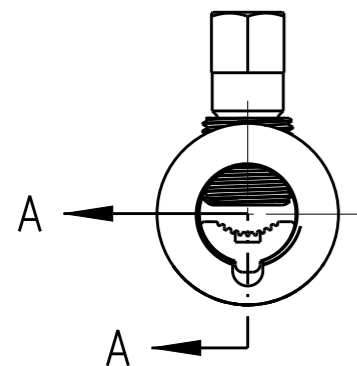
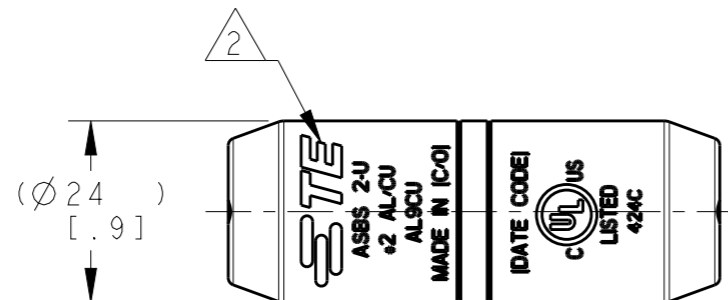
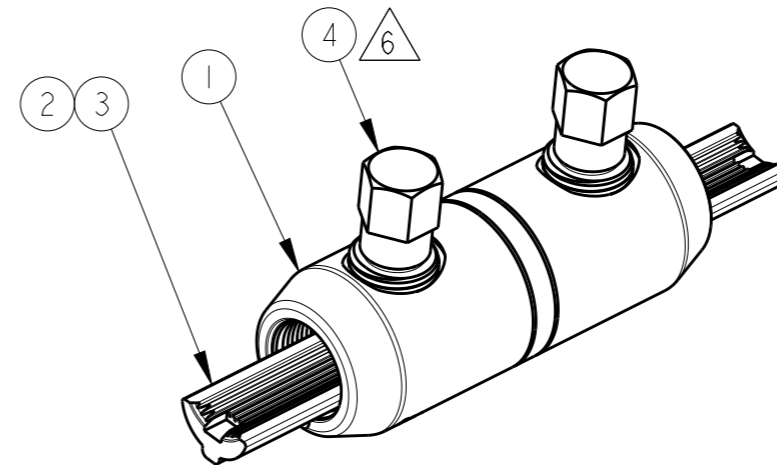


P	LTR	DESCRIPTION	DATE	DWN	APVD
C		LC20-0076-12 / ECO-12-013825	26JUL2012	DM	BJ
D		LC20-0070-14 / ECO-14-007590	15MAY2014	DM	BJ
DI		LC20-0089-14 / ECO-14-009276	16JUN2014	DM	BJ
E		LC20-0085-20 / ECO-20-012153	20AUG2020	DM	BJ



SECTION A-A



ASBS-2-U	1974155-1
CATALOG NO	PART NO

1. ACCOMMODATES:  
 #2 AWG COMPACT  $\varnothing 6.81$  (.268 DIA) TO  
 #2 AWG STANDARD  $\varnothing 7.42$  [.292 DIA]  
 ALUMINUM OR COPPER CONDUCTORS.

2 MARKING:



ASBS-2-U  
 #2 AL/CU  
 AL9CU  
 MADE IN [COUNTRY OF ORIGIN]  
 [DATE CODE]



3. ALL DIMENSIONS ARE FOR REFERENCE ONLY.  
 4. CONNECTOR CONTAINS FACTORY APPLIED ANTI-OXIDE INHIBITOR.  
 5. FINISH: ELECTRO-TIN PLATED.  
 6. INSTALL BOLTS WITH 10 mm [3/8 inch] HEX SOCKET.  
 7. DO NOT REMOVE INSERTS FROM THE CONNECTOR.

QTY	DESCRIPTION	ITEM NO
1	INSTALLATION INSTRUCTION SHEET, 408-32026	6
1	ABRASIVE TAPE	5
2	MULTI SHEAR HEAD BOLT, M12 SIZE, ALUMINUM ALLOY	4
A/R	INHIBITOR	3
2	INSERT, ALUMINUM ALLOY, TIN PLATED	2
1	CONNECTOR SLEEVE BODY, ALUMINUM ALLOY, TIN PLATED	1
-1	DESCRIPTION	ITEM NO
PARTS LIST		

THIS DRAWING IS A CONTROLLED DOCUMENT.		DWN D. MURUGIAH 19DEC2011	TE Connectivity	
DIMENSIONS: mm [INCH]		CHK A BULZA 07FEB2012		
TOLERANCES UNLESS OTHERWISE SPECIFIED:		APVD B JOHNSON 07FEB2012	NAME SHEARBOLT SLEEVE CONNECTOR, ALUM, SOLID OIL STOP, 2 AWG	
		PRODUCT SPEC -	SIZE A300779	
MATERIAL SEE BOM		APPLICATION SPEC -	CAGE CODE G-1974155	
FINISH SEE BOM		WEIGHT -	DRAWING NO 1974155	
		RESTRICTED CUSTOMER	SCALE NTS	SHEET 1 OF 1