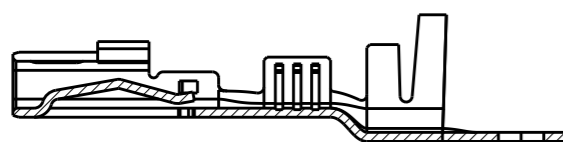
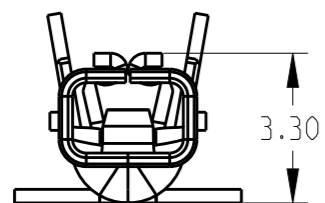
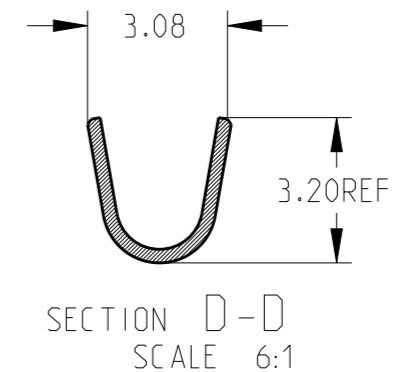
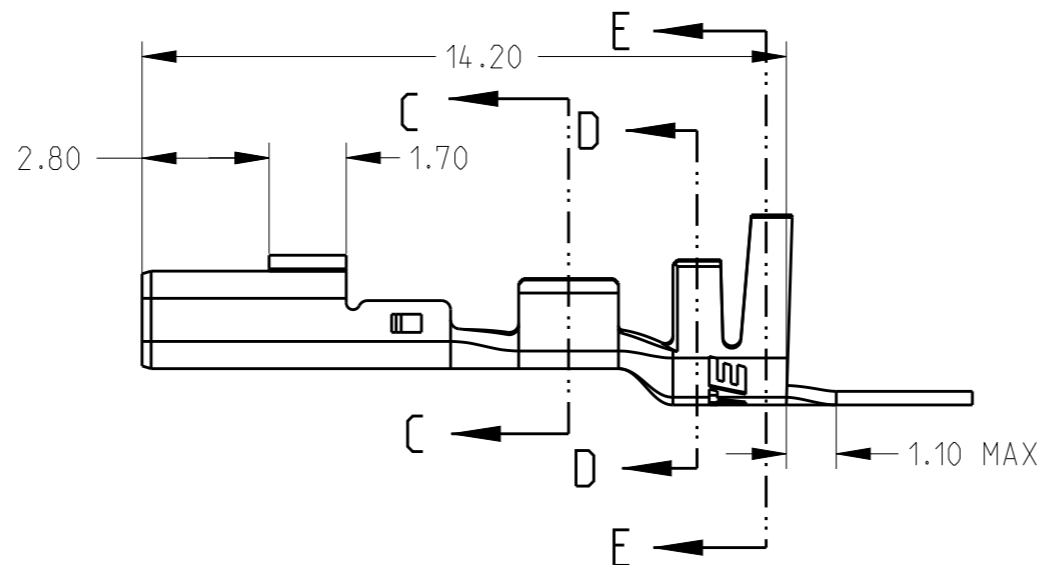
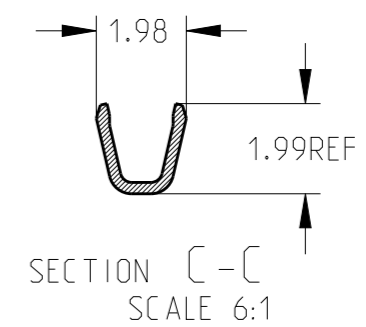
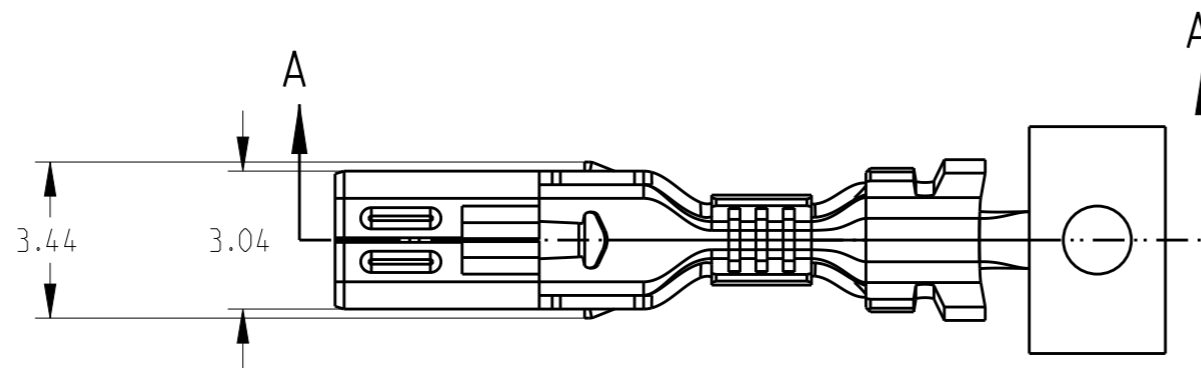
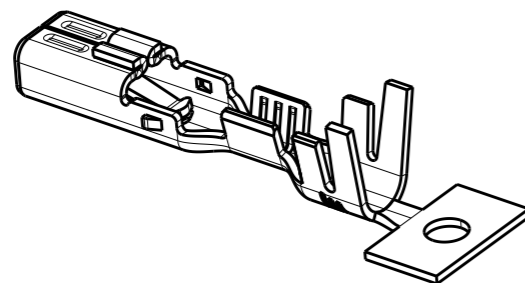
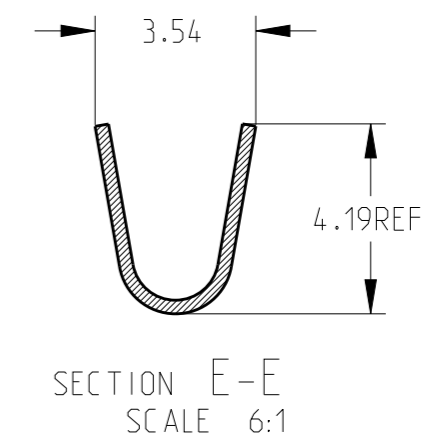
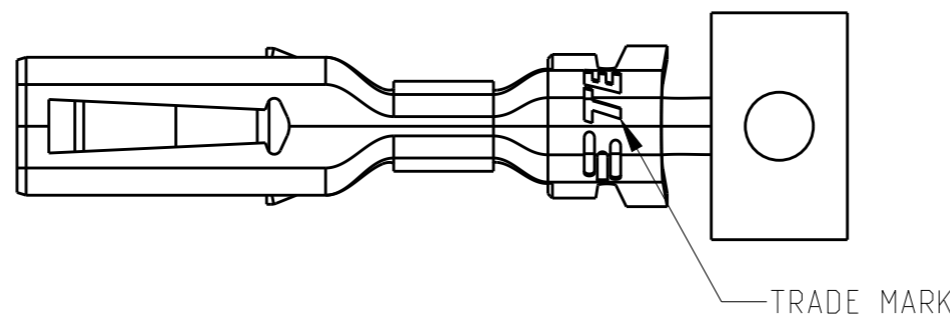


THIS DRAWING IS UNPUBLISHED. RELEASED FOR PUBLICATION
© COPYRIGHT 19 BY - ALL RIGHTS RESERVED.

LOC	DIST	REVISIONS					
ES	00	P	LTR	DESCRIPTION	DATE	DWN	APVD
			A2	REVISED PER ECR-19-003481	19JUN19	N.L	D.Z




SECTION A-A



NOTE:
 1.MATERIAL:COPPER ALLOY,PRE-TINNED
 2.APPLICABLE HOUSING P/N:1983658-*, 1983659-*, 1983660-*

4000PCS/REEL	3-1983664-1
5000PCS/REEL	1983664-1
UNIT PKG QTY	PART NO.

THIS DRAWING IS A CONTROLLED DOCUMENT.		DWN	LEO LIU	24AUG2011	 TE Connectivity
DIMENSIONS: mm		CHK	WU HAPYE	24AUG2011	
TOLERANCES UNLESS OTHERWISE SPECIFIED:		APVD	ERIC KONG	24AUG2011	
0 PLC ±- 1 PLC ±1.0 2 PLC ±0.50 3 PLC ±0.300 4 PLC ±0.2000 ANGLES ±-		PRODUCT SPEC	108-106071		
MATERIAL -		FINISH -	APPLICATION SPEC		NAME
		WEIGHT -		114-106071	
		CUSTOMER DRAWING		SIZE	A3
		SCALE N/A		CAGE CODE	-
		SHEET 1 OF 1		DRAWING NO	©=1983664
		REV A2		RESTRICTED TO	