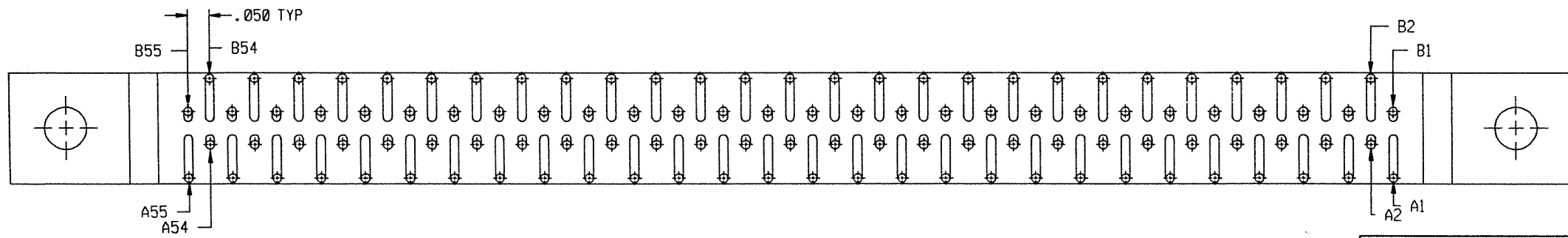
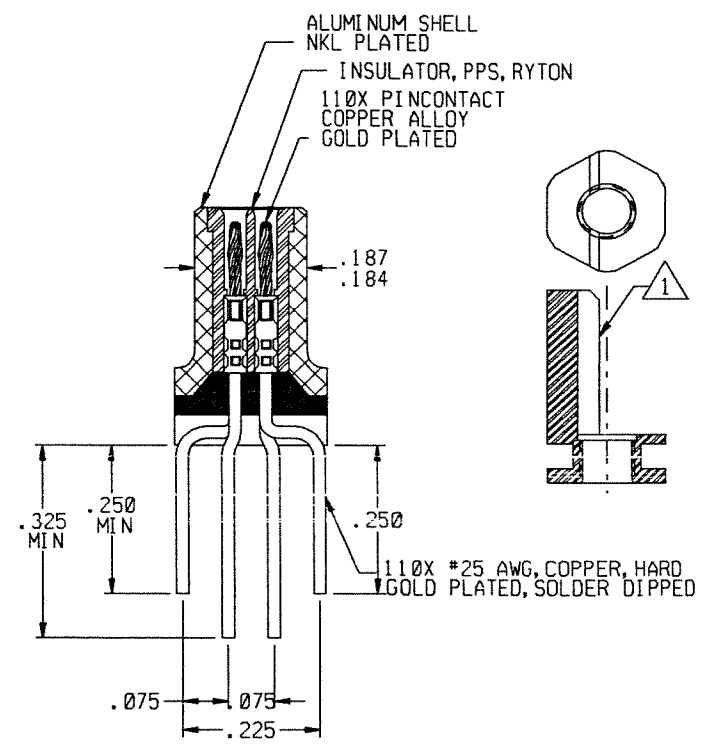
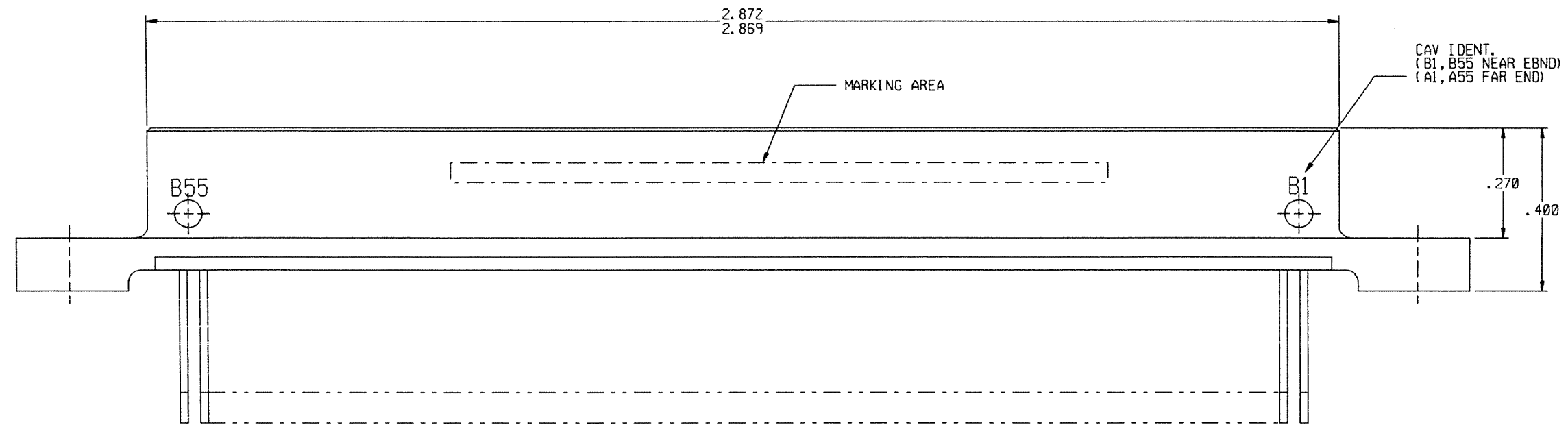
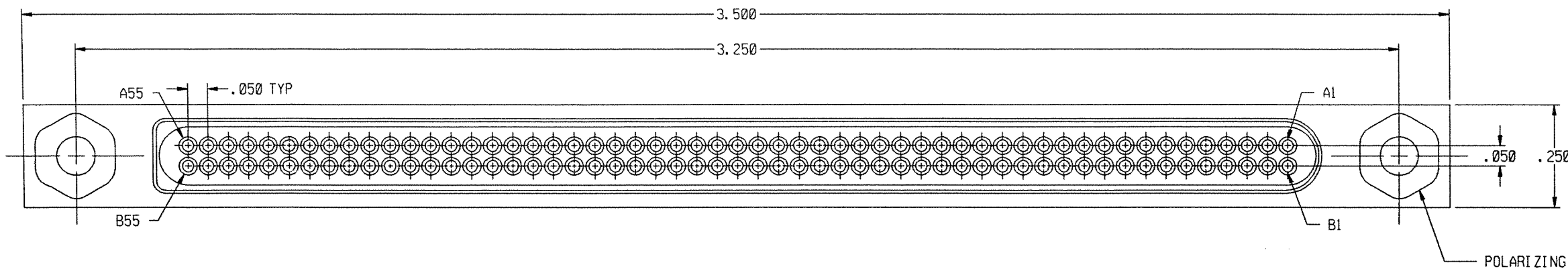


REVISION					
ZONE	LTR	ECN	DESCRIPTION	DATE	APPROVED
	B	38907	NEW RELEASE CD DWG ONLY	5/13/89	<i>[Signature]</i>
	D	41452	UPDATE REV LETTER	7/2/02	<i>[Signature]</i>



Tyco Dwg 2-1532122-1  
Micro P/N 095-0087-6102

NOTES: UNLESS OTHERWISE SPECIFIED  
 1. TWO PALRIZING KEYS, ST STEELL, PASSIVATED, SUPPLIED PACKED LOOSE.

UNLESS OTHERWISE SPECIFIED DIMENSIONS ARE IN INCHES. TOLERANCE ARE: FRACTIONS    DECIMALS    ANGLES $\pm 1/8$ .XX $\pm .01$ $\pm 2^\circ$ .XXX $\pm .005$	APPROVALS		<b>MICRODOT CONNECTORS</b> A DIVISION OF UNI-STAR INDUSTRIES INC. 306 PASADENA AVE., SO. PASADENA, CA 91030	PROD CODE 844		
	SIGNATURE	DATE			CONNECTOR, PLUG, METAL SHELL MCEMI-110PZ	
	DRAWN BY: <i>[Signature]</i> P.E. <i>[Signature]</i> M.E. <i>[Signature]</i> Q.A.	5/13/89				CODE CD
	THIS DOCUMENT IS THE PROPERTY OF MICRODOT CONNECTORS, A DIVISION OF UNI-STAR INDUSTRIES INC. USE OF THIS DOCUMENT OR ANY PART THEREOF IS STRICTLY FORBIDDEN WITOUT THE EXPRESS WRITTEN PERMISSION OF MICRODOT CONNECTORS, ADVISION OF UNI-STAR INDUSTRIES INC.					SIZE: B    CODE IDENT NO. 98278    DRAWING NO. 095-0087-6102
FINISH:		SCALE: NONE	SHEET 1 OF 1			