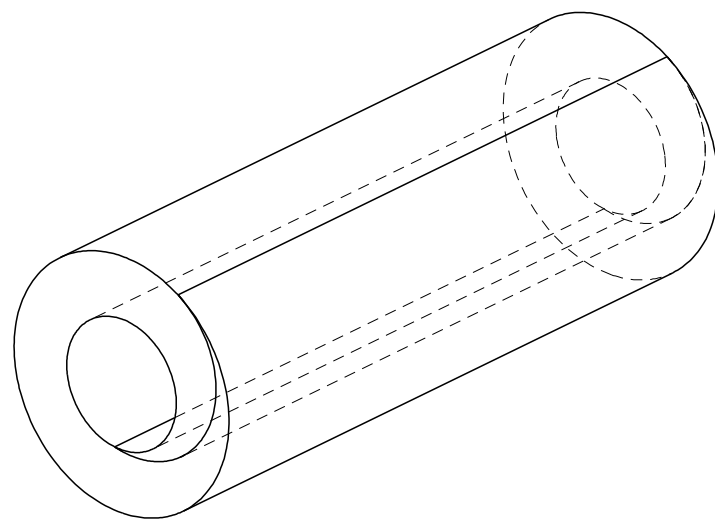
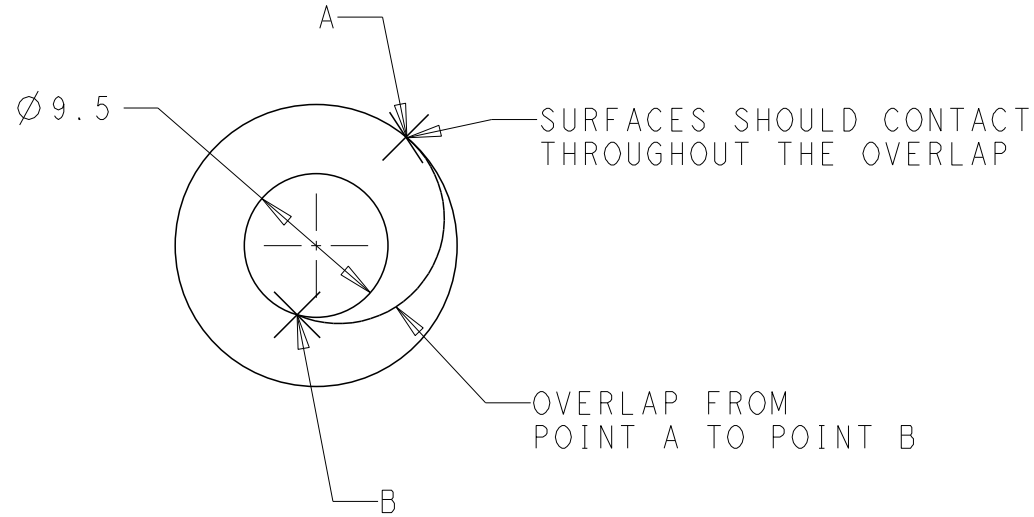


REVISIONS					
P	LTR	DESCRIPTION	DATE	DWN	APVD
	A	NEW DRAWING	05FEB2016	KR	I.B



ISO METRIC VIEW

- NOTES:**
- 9.5, ± 1.5mm I/D MAXIMUM IN NATURAL STATE .
 - MATERIAL THICKNESS 4.6, ±0.50mm.
 - OVERLAP 24.9mm MINIMUM.
 - LENGTH 2 X 15M, -0 /+0.5M.

NOTES	UOM	QTY.	PART DESCRIPTION	ITEM No.
Instruction	PC	1	PII-55790	1
Cable Ties	BAG	2	CPGI-CTY-11-50-BLK-Q	2
MVCC RED	M	2X15M	MVCC-10/.40(S30)	3

THIS DRAWING IS A CONTROLLED DOCUMENT.		DWN RAGHU 05FEB2016						
DIMENSIONS: mm		CHK IAN BOND 05FEB2016				NAME MVCC-10/.40(S30)		
		APVD DONALD BARRETT 05FEB2016				PRODUCT SPEC -		
TOLERANCES UNLESS OTHERWISE SPECIFIED: 0 PLC ±- 1 PLC ±0.5 2 PLC ±0.13 3 PLC ±0.013 4 PLC ±0.0001 ANGLES ±-		APPLICATION SPEC -				RESTRICTED TO -		
MATERIAL -	FINISH -	WEIGHT -	SIZE A3	CAGE CODE -	DRAWING NO C-2-1899834-9			
CUSTOMER DRAWING			SCALE 2:1	SHEET 1 OF 1	REV A			