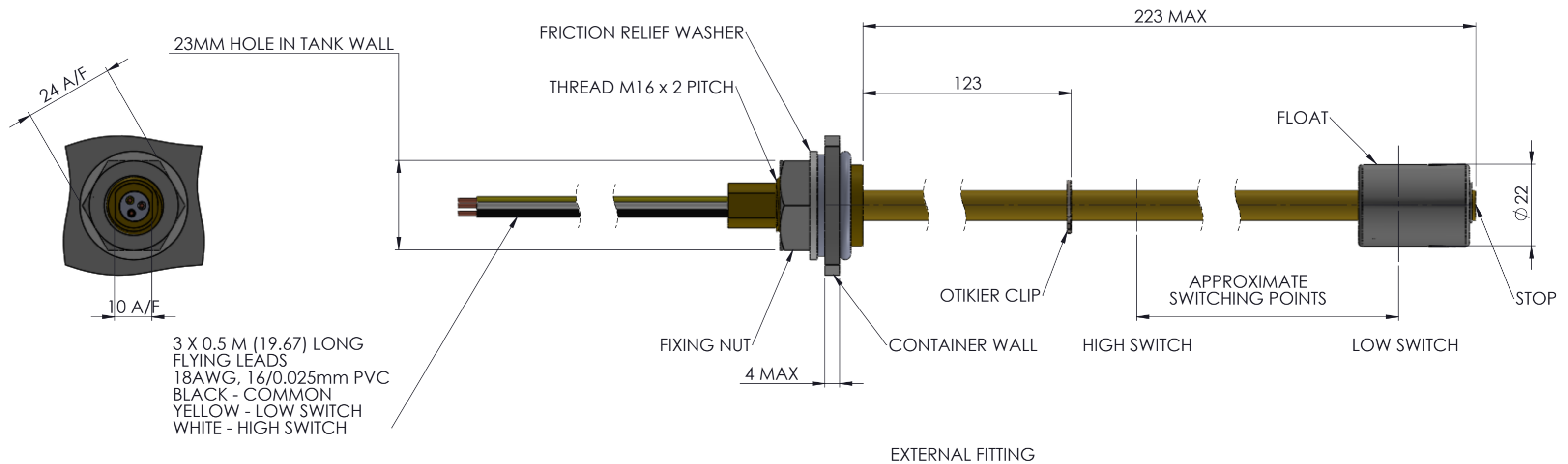
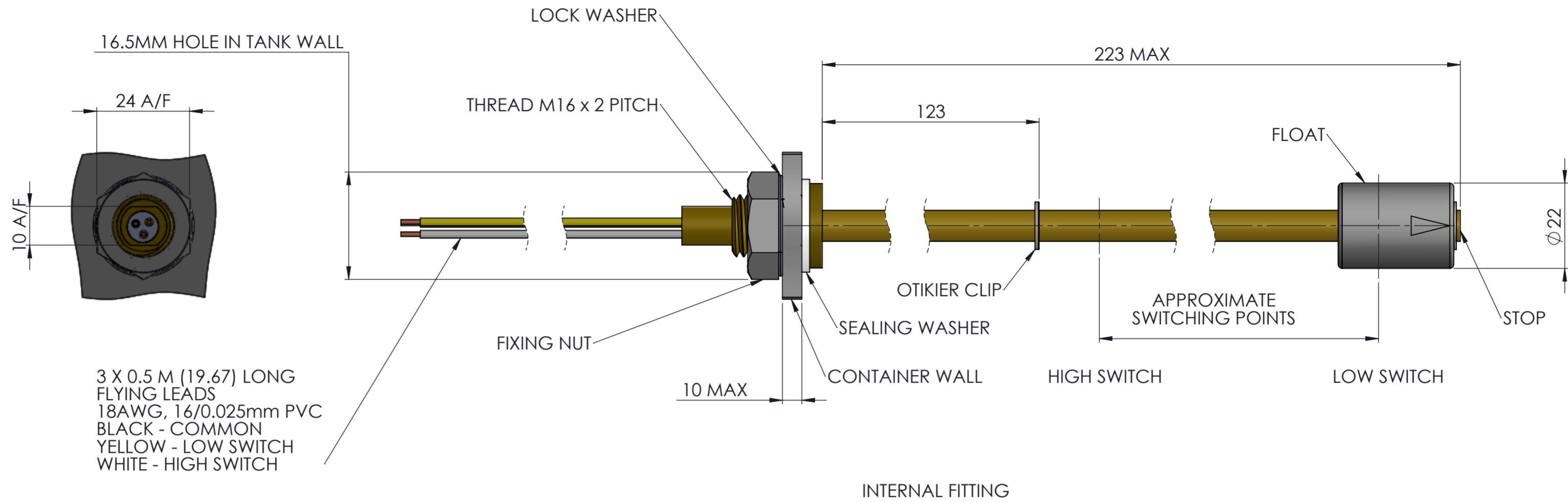


Wire Color Switch	Float Position		
	Low	Middle	High
Yellow	Closed	Open	Open
Black	Closed	Closed	Open

Mounting: Top & Bottom Entry
 Material: Brass
 Housing Material: Brass
 Housing Colour: Brass
 Float Material: Glass Filled Polypropylene
 Cable Colour: Yellow, Black, White
 Sealing Components: Silicone



NOTE:

1. UNIVERSAL KIT TYPE SENSOR SUPPLIED IN A BAG WITH NUT, WASHER AND GROMMET LOOSE, FOR EITHER FIT OPTION ASSEMBLY.

DIMENSIONS:		TOLERANCES UNLESS OTHERWISE SPECIFIED:	
mm		0 PLC	0.5
⌀		1 PLC	0.13
⊥		2 PLC	0.013
⊥		3 PLC	0.001
⊥		4 PLC	0.0001
ANGLES ±			
SURFACE TEXTURE		√	

DWN	L Hernandez	MATERIAL		WEIGHT	kg
CHK	R Cooper				
APVD	J Pendleton				
NAME	EVS722-51 VERTICAL LEVEL SENSOR M16				
SCALE	1:1	SIZE	A2	DRAWING NO	20017777-00
SHEET	1	OF	1	REV	A