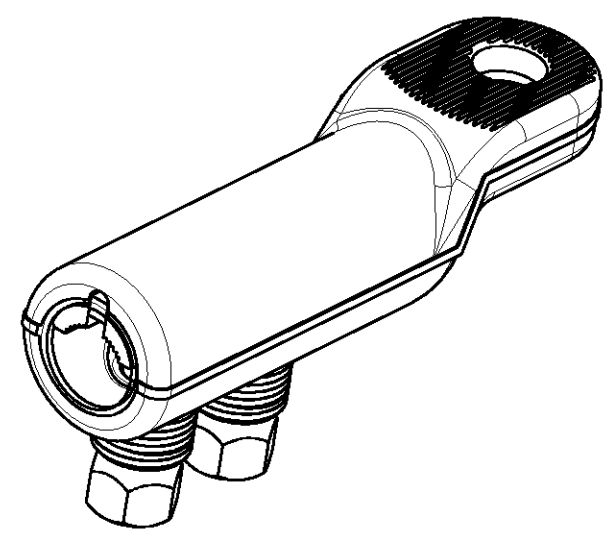
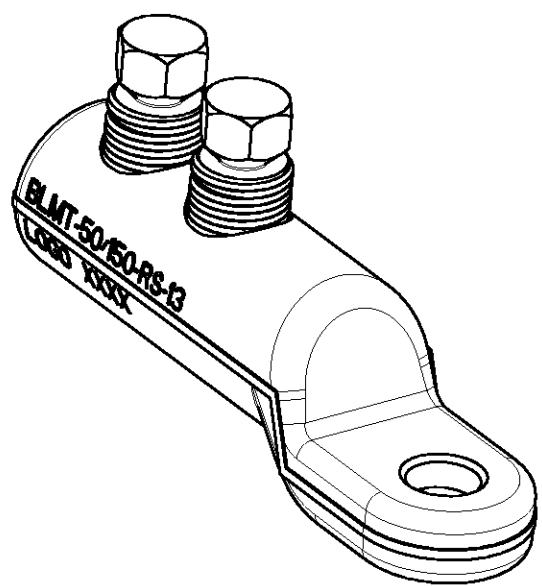
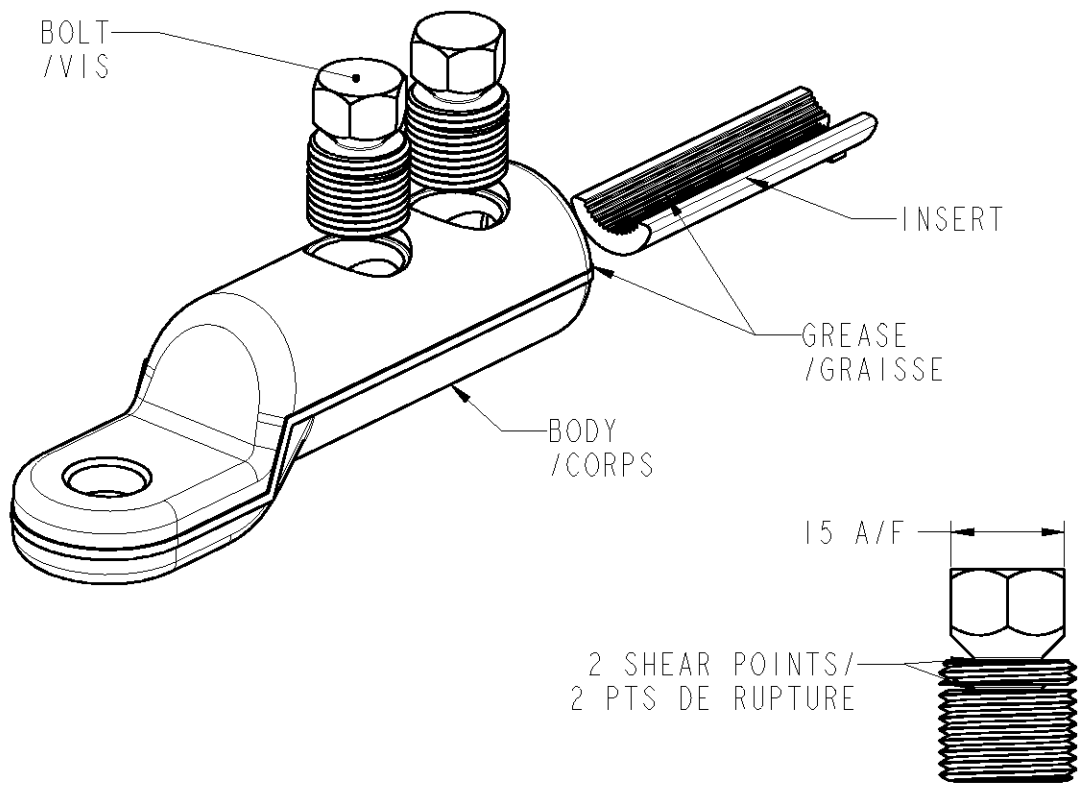
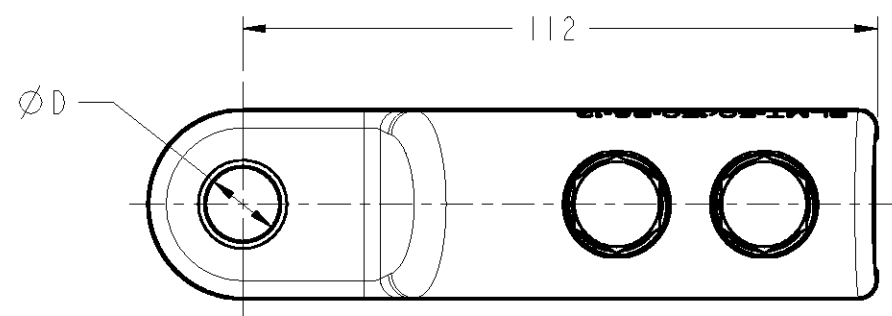
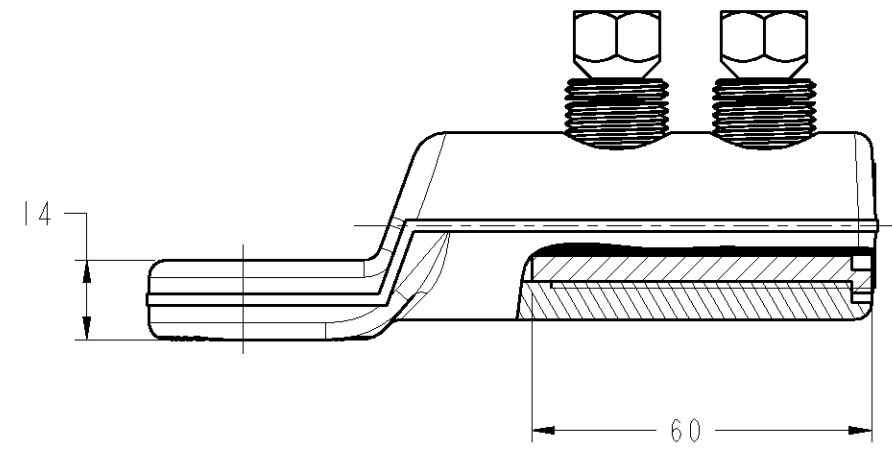
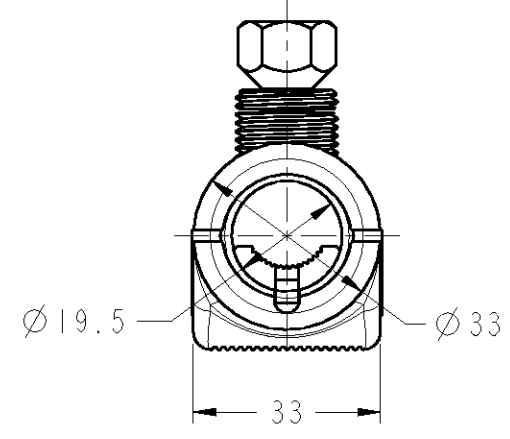


THIS DRAWING IS UNPUBLISHED. / DIFFUSION RESTREINTE
 RELEASED FOR PUBLICATION / LIBRE A LA DIFFUSION
 20
 © COPYRIGHT 20 BY TYCO ELECTRONICS CORPORATION. ALL RIGHTS RESERVED. / TOUS DROITS RESERVES

LOC	DIST	REVISIONS				
P	LTR REV	DESCRIPTION MODIFICATIONS	DATE	DWN DESS.	APVD APP.	
FH	2	A	CREATION	05MAR2007	RB	NA
		B	UPDATE HEAD OF BOLTS	17MAR2008	BM	NA

BLMT-50/150-RS-13	2002444-1	13
DESCRIPTION	PART NUMBER	ØD



	AL				CU	
	ROUND STRANDED /Rond câblé /RM	ROUND SOLID /Rond solide /RE	SECTOR STRANDED /Sectoral câblé /SM	SECTOR SOLID /Sectoral câblé /SE	ROUND STRANDED /Rond câblé /RM	SECTOR STRANDED /Sectoral câblé /SM
CONDUCTOR CROSS-SECTION /Section conducteur /Querschnittsbereich mm ²	50-150	-	50-150	-	50-120	50-120
CONDUCTOR DIAMETER /Diamètre conducteur /Leiterdurchmesser mm	Ø7.7-Ø16.2	-	-	-	Ø7.7-Ø14.5	-

TOLERANCES UNLESS OTHERWISE SPECIFIED: -
 TOLERANCES NON SPECIFIEES: -

<small>THIS DRAWING IS A CONTROLLED DOCUMENT FOR TYCO ELECTRONICS CORPORATION IT IS SUBJECT TO CHANGE AND THE CONTROLLING ENGINEERING ORGANIZATION SHOULD BE CONTACTED FOR THE LATEST REVISION. / CE PLAN EST UN DOCUMENT CONTROLE PAR TYCO ELECTRONICS CORPORATION IL EST SUSCEPTIBLE D ETRE REVISE. POUR OBTENIR LA DERNIERE REVISION. CONTACTER LE SERVICE TECHNIQUE DE TYCO ELECTRONICS SIMEL SAS, 21220 BEVRET-CHAMBERTIN, FRANCE.</small>		DWN/DESSINE 05MAR2007 R. BUTHIOT			SIMEL	
DIMENSIONS: mm		CHK/VERIFIE A. BAZEROLLE			NAME TITRE BLMT-50/150-RS-13	
<small>TOLERANCES UNLESS OTHERWISE SPECIFIED: TOLERANCES NON SPECIFIEES (SUIV NB DE DECIMALES):</small> 0 PLC/DEC: ±0 1 PLC/DEC: ±0 2 PLC/DEC: ±0 3 PLC/DEC: ±0 4 PLC/DEC: ±0 ANGLES ±		APVD/APPROUVE N. ALMEIDA	PRODUCT SPEC SPEC. PRODUIT -		RESTRICTED TO RESERVE A -	
MATERIAL MATIERE AL ALLOY		APPLICATION SPEC SPEC. APPLICATION IEC 61238-1	SIZE FORMAT A3	CAGE CODE -	DRAWING NO No PLAN C=2002444	SCALE ECHELLE 3:4
FINISH FINITION TINNED		WEIGHT MASSE APPROX. 224 g	UNIQUEMENT POUR REFERENCE		SHEET FEUILLE 1 OF DE 1	REV B
CUSTOMER DRAWING /PLAN CLIENT						