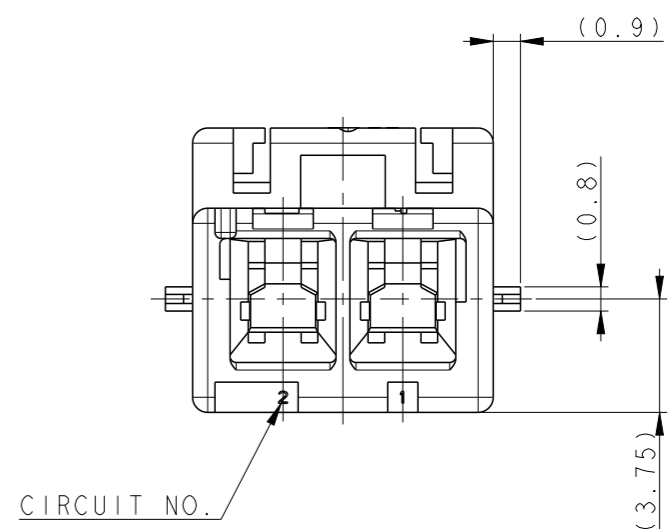
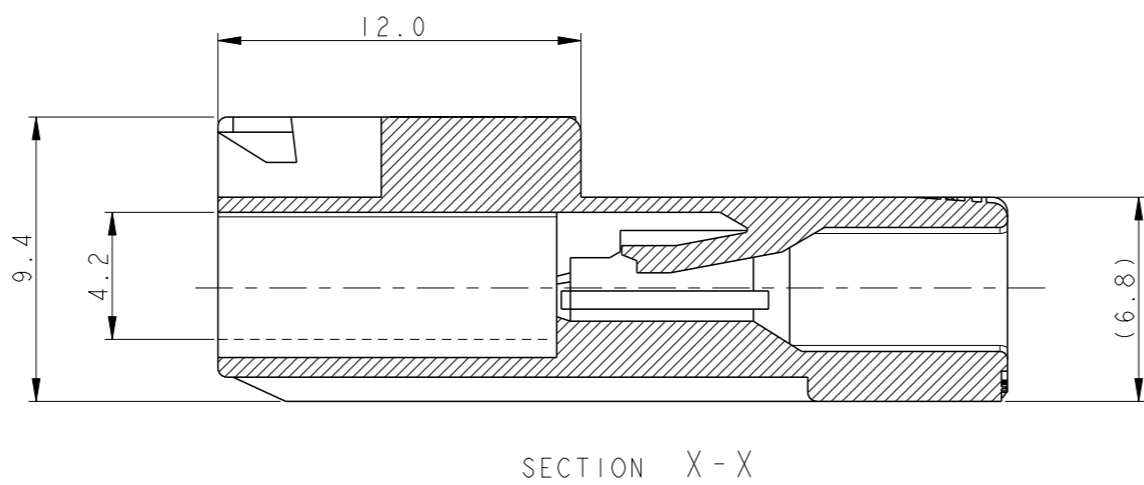
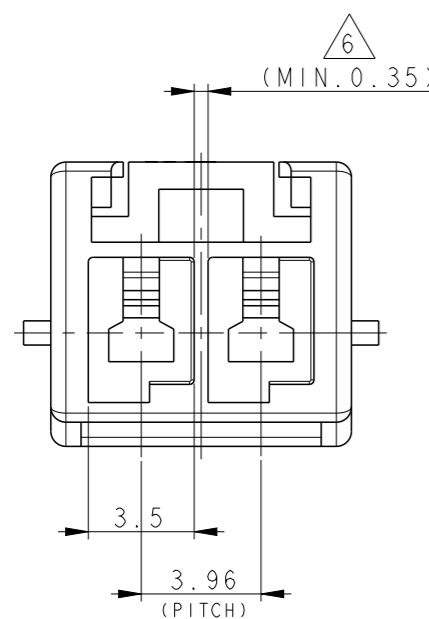
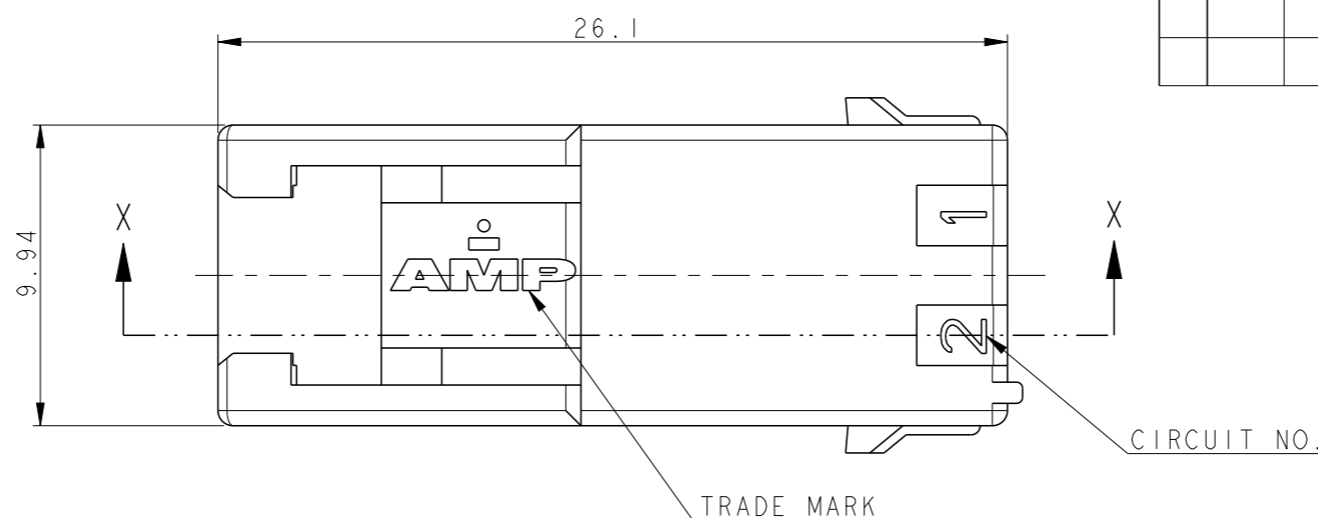



| P | LTR | DESCRIPTION               | DATE      | DWN | APVD |
|---|-----|---------------------------|-----------|-----|------|
|   | B   | REVISED PER ECR-18-016962 | 29OCT2018 | SC  | BH   |
|   |     |                           |           |     |      |
|   |     |                           |           |     |      |



- NOTE;
- APPLICABLE CONTACT P/N  
-TAB CONTACT: 177917-□ (AWG#16-#20)  
177916-□ (AWG#22-#26)
  - MATING CONN. P/N  
-PLUG HSG: 2005247-□  
-REC CONTACT: 177915-□ (AWG#16-#20)  
: 177914-□ (AWG#22-#26)
  - APPLICABLE DOUBLE LOCK PLATE:  
177918-1(V-0) / □ -368590-1(V-2,GWT)  
\*IT SHOULD BE USED CERTAINLY WHEN CABLE ASS'Y
  - GENERAL TOLERANCES: ±0.3
  - MATERIAL: PA66, UL94V-0, GWIT 775°C, GWEPT 750°C,  
CTI 250V AND BALL PRESSURE 125°C
  - MIN. THICKNESS OF INSULATING WALL

|           |         |
|-----------|---------|
| 2005248-9 | BLACK   |
| 2005248-6 | BLUE    |
| 2005248-4 | YELLOW  |
| 2005248-2 | RED     |
| 2005248-1 | NATURAL |
| P/N       | COLOR   |

|  |  |  |                 |   |               |
|--|--|--|-----------------|---|---------------|
| THIS DRAWING IS A CONTROLLED DOCUMENT.   |  | DWN SC KIM   |                 |  TE Connectivity<br>NAME PDL 2P CAP HSG 3.96mm F/H (GWT) |               |
| DIMENSIONS: mm   |  | CHK BW KANG  |                 |   |               |
| TOLERANCES UNLESS OTHERWISE SPECIFIED:   |  | APVD JK SONG   |                 |   |               |
| 0 PLC ±<br>1 PLC ±<br>2 PLC ±<br>3 PLC ±<br>4 PLC ±<br>ANGLES ±<br>MATERIAL FINISH - |  | PRODUCT SPEC 108-61106<br>APPLICATION SPEC -<br>WEIGHT - |                 |   |               |
| MATERIAL   |  | SIZE A3  | CAGE CODE 00779 | DRAWING NO. C-2005248   | RESTRICTED TO |
| CUSTOMER DRAWING   |  |  | SCALE 4:1       | SHEET 1 OF 1  | REV B         |