

REVISIONS				
P	LTR	DESCRIPTION	DATE	APVD
C		PRODCUTION ISSUE	25JAN2019	PNT MT

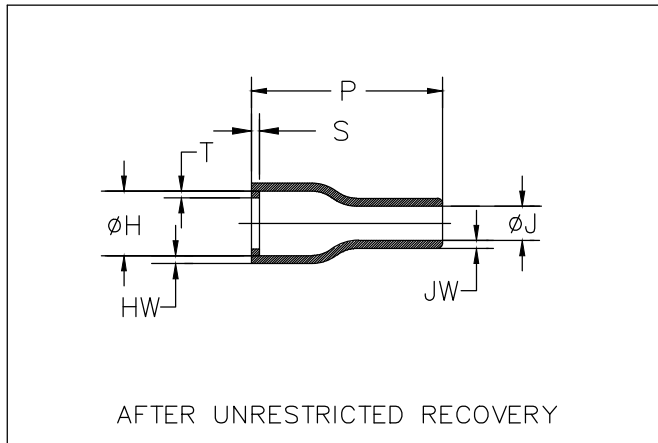
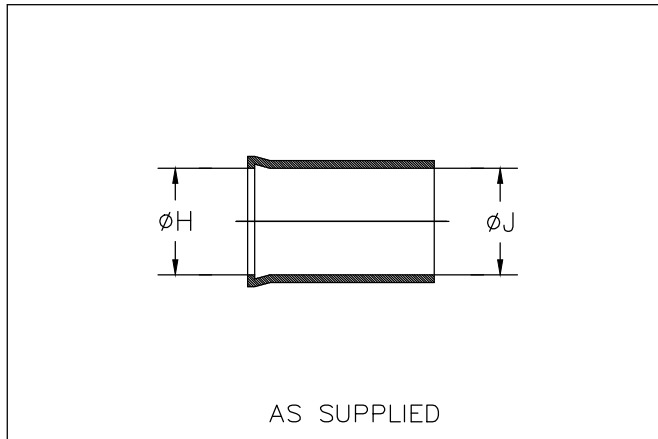



TABLE OF DIMENSIONS									
PART NUMBER	H		J		P	S	T	HW	JW
	Min a	Max b	Min a	Max b	$\pm 10\%$ b	Ref b	Ref b	$\pm 20\%$ b	$\pm 20\%$ b
202D232-X-02	$\frac{29.5}{[1.16]}$	$\frac{18.8}{[.74]}$	$\frac{29.5}{[1.16]}$	$\frac{8.4}{[.33]}$	$\frac{33.5}{1.32}$	$\frac{3.0}{[.12]}$	$\frac{1.0}{[.04]}$	$\frac{1.78}{[.07]}$	$\frac{1.1}{[.045]}$

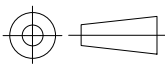
RELEASED FOR PUBLICATION

ALL RIGHTS RESERVED.

THIS DRAWING IS UNPUBLISHED.

© COPYRIGHT - TE Connectivity Ltd.

DIMENSIONS: mm [INCHES]	DWN PRAVEEN N T	25JAN2019	MATERIAL SEE SHEET 2	FINISH -
	CHK N NAGAR	25JAN2019	 TE Connectivity Ltd.	
TOLERANCES UNLESS OTHERWISE SPECIFIED:	APVD M TAYLOR	25JAN2019		
0 PLC ± -	PRODUCT SPEC	-	NAME BOOT, STRAIGHT, WITH LIP	
1 PLC ± -	APPLICATION SPEC	-	SIZE	CAGE CODE
2 PLC ± -			A4	00779
3 PLC ± -			DRAWING NO	
4 PLC ± -			G-202D232-XX-02-0	
ANGLES ± -	WEIGHT		RESTRICTED TO	
			-	
CUSTOMER DRAWING			SCALE	DNS
			SHEET	1 OF 2
			REV	C



REVISIONS					
P	LTR	DESCRIPTION	DATE	DWN	APVD
	-	SEE SHEET 1	-	-	-


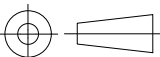
COMPATABILITY CHART				
MATERIAL DASH NO.	MATERIAL DESCRIPTION	RT SPEC	COATING SLASH NO.	COATING S NO.
-25	Elastomer, Fluid Resistant	RW-2070	/42;/86;/225	S1017;S1048;S1206

ORDERING INFORMATION					
	202D232	-XX	-XX	/XX	-0
Base part number	_____				
Material dash number (See Compatability Chart)	_____				
Modification number	_____				
Adhesive slash number (If necessary, see Compatability Chart)	_____				
Color designator	_____				

NOTES

- Dimensions appearing in table are as follows:
 - a - As Supplied
 - b - After Unrestricted Recovery
- Coating is optional. As supplied dimensions appearing in table are for uncoated parts. When coating is added, entry diameters will be reduced by 1.5mm[.06]max.

THIS DRAWING IS UNPUBLISHED. ALL RIGHTS RESERVED. © COPYRIGHT - TE Connectivity Ltd.

DIMENSIONS: mm [INCHES]	DWN PRAVEEN N T	25JAN2019	MATERIAL	-	FINISH	-
	CHK N NAGAR	25JAN2019	 TE Connectivity Ltd.			
TOLERANCES UNLESS OTHERWISE SPECIFIED:	APVD M TAYLOR	25JAN2019				
0 PLC ± -	PRODUCT SPEC	-	NAME	BOOT, STRAIGHT, WITH LIP		
1 PLC ± -	APPLICATION SPEC	-	SIZE	CAGE CODE	DRAWING NO	RESTRICTED TO
2 PLC ± -			A4	00779	202D232-XX-02-0	-
3 PLC ± -	WEIGHT		CUSTOMER DRAWING			SCALE
4 PLC ± -			DNS			SHEET
ANGLES ± -			2 OF 2			REV
			C			