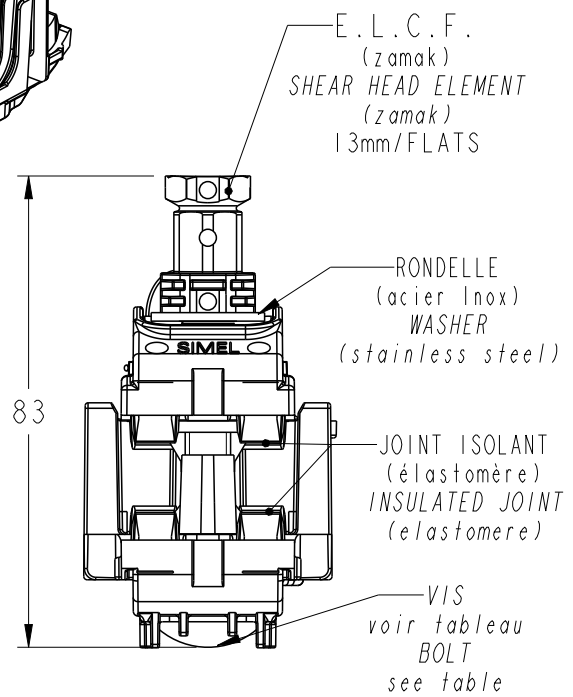
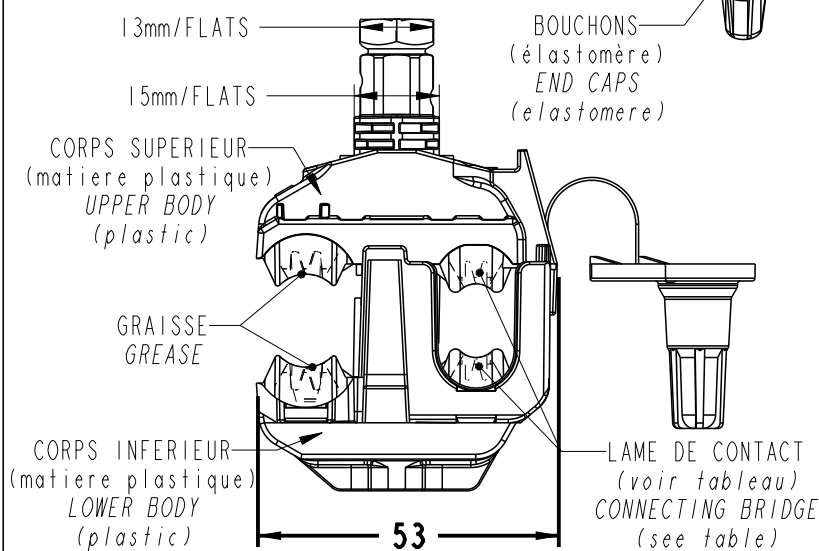
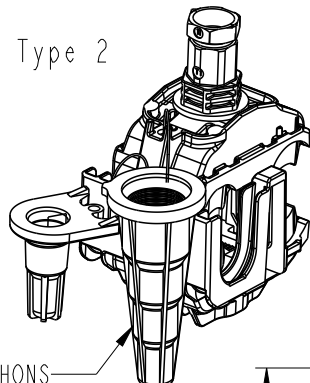
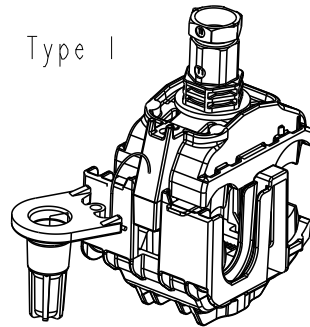


| REVISIONS | | | | | |
|-----------|---------|--------------------------------|-----------|-----------|-----------|
| P | LTR REV | DESCRIPTION MODIFICATIONS | DATE | DWN DESS. | APVD APP. |
| | E | SUP-4 (ECR 11-025576) | 19DEC2011 | JD | AG |
| | F | ECR-17-011223 (SUPP 2037763-7) | 02AUG2017 | BM | GN |
| | | | | | |



| REFERENCE | PN | Type | CAPACITES PRINCIPAL CAPACITIES MAIN mm2 | CAPACITES DERIVE CAPACITIES TAP mm2 | Matière lame Bridge material | Protection Vis Bolt finish | MASSE WEIGHT | COUPLE DE RUPTURE BREAKING SHEAR HEAD TORQUE |
|--------------------|-----------|------|---|-------------------------------------|------------------------------|----------------------------|--------------|--|
| P2X95 MK2 | 2037763-1 | 1 | 16 to 95 | 4 to 35 (50) | Alu alloy | Protected Steel | 108g | 11Nm |
| P2X95U MK2 | 2037763-2 | 1 | 16 to 95 | 4 to 35 (50) | Copper | Protected Steel | 130g | 11Nm |
| P2X95U GERMANY MK2 | 2037763-5 | 1 | 16 to 95 | 4 to 35 | Copper | Protected Steel | 130g | 11Nm |
| P2X95 2CE MK2 | 2037763-6 | 2 | 16 to 95 | 4 to 35 (50) | Alu alloy | Protected Steel | 112g | 11Nm |

MARQUAGE: LOGO, REFERENCE, CAPACITES, LOT
 MARKING: LOGO, REFERENCE, CAPACITIES, BATCH

TOLERANCES UNLESS OTHERWISE SPECIFIED TOLERANCES NON SPECIFIEES: -
 FINISH FINITION -

DIMENSIONS: mm

TOLERANCES UNLESS OTHERWISE SPECIFIED: TOLERANCES NON SPECIFIEES (SUIVANT DE DECIMALES):
 0 PLC / DEC: ±0
 1 PLC / DEC: ±0.1
 2 PLC / DEC: ±0.2
 3 PLC / DEC: ±0.3
 4 PLC / DEC: ±0.4
 ANGLES ±

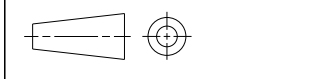
DWN / DESSINE ANDRE 22DEC2010
 CHK / VERIFIE D. MERCUZOT
 APVD / APPROUVE A. GUICHARD
 PRODUCT SPEC SPEC. PRODUIT -
 APPLICATION SPEC SPEC. APPLICATION -
 WEIGHT MASSE APPROX. -

MATERIAL MATIERE -
 FINISH FINITION -

TE TE Connectivity

NAME TITRE P2X95... MK2

SIZE FORMAT A4
 CAGE CODE -
 DRAWING NO No PLAN
 C=2037763
 RESTRICTED TO RESERVE A -



CUSTOMER DRAWING / PLAN CLIENT
 UNIQUEMENT POUR REFERENCE
 SCALE ECHELLE 3:4
 SHEET FEUILLE 1 OF DE 1
 REV F

20
 RELEASED FOR PUBLICATION LIBRE A LA DIFFUSION
 ALL RIGHTS RESERVED. TOUS DROITS RESERVES.
 THIS DRAWING IS UNPUBLISHED. DIFFUSION RESTREINTE
 COPYRIGHT 20