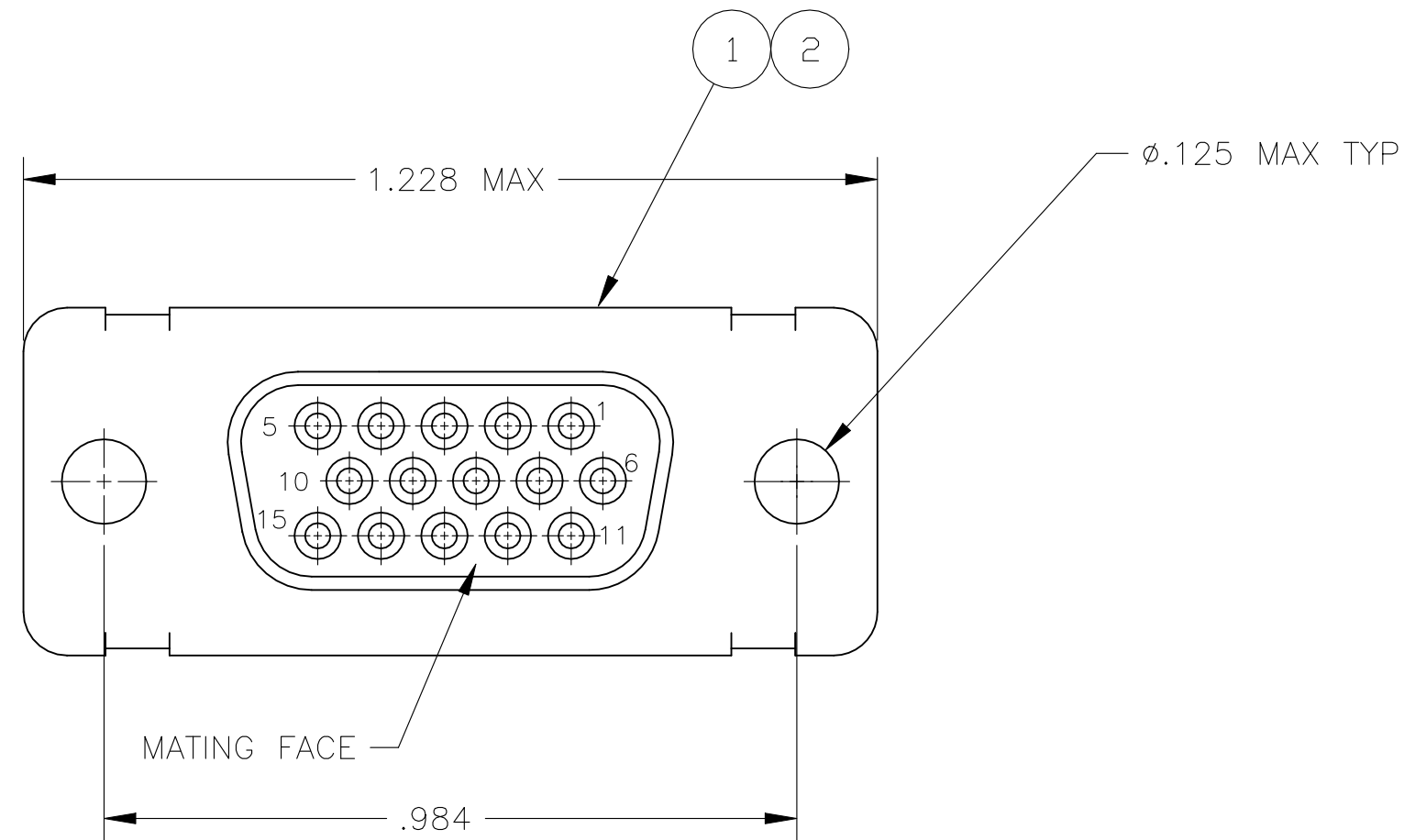
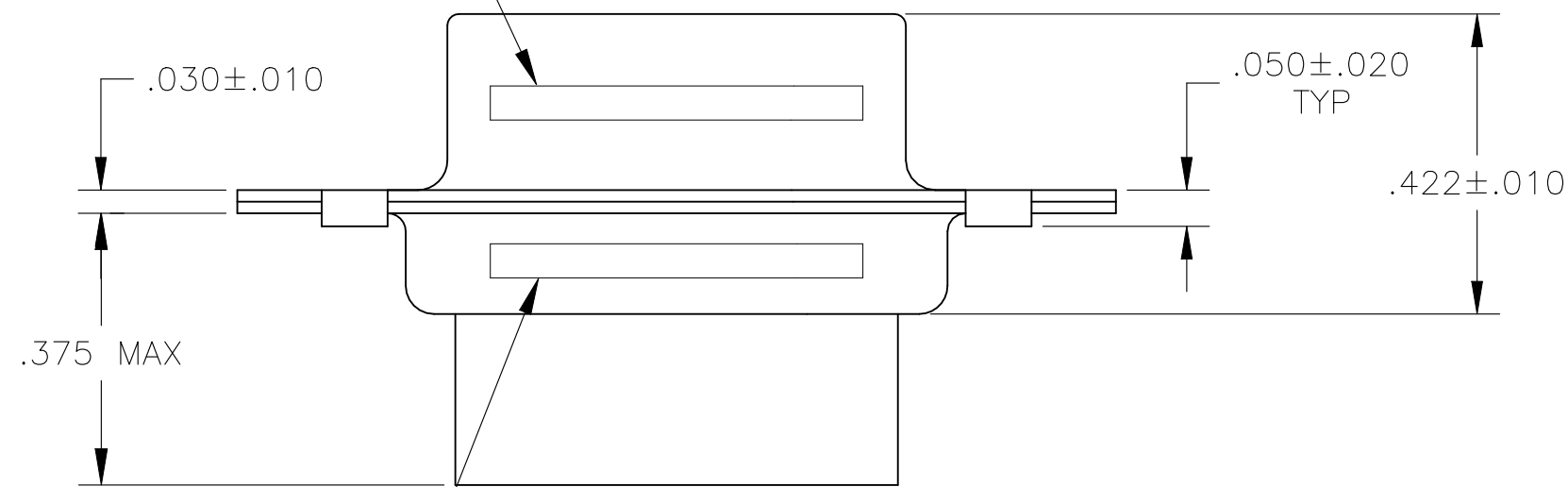


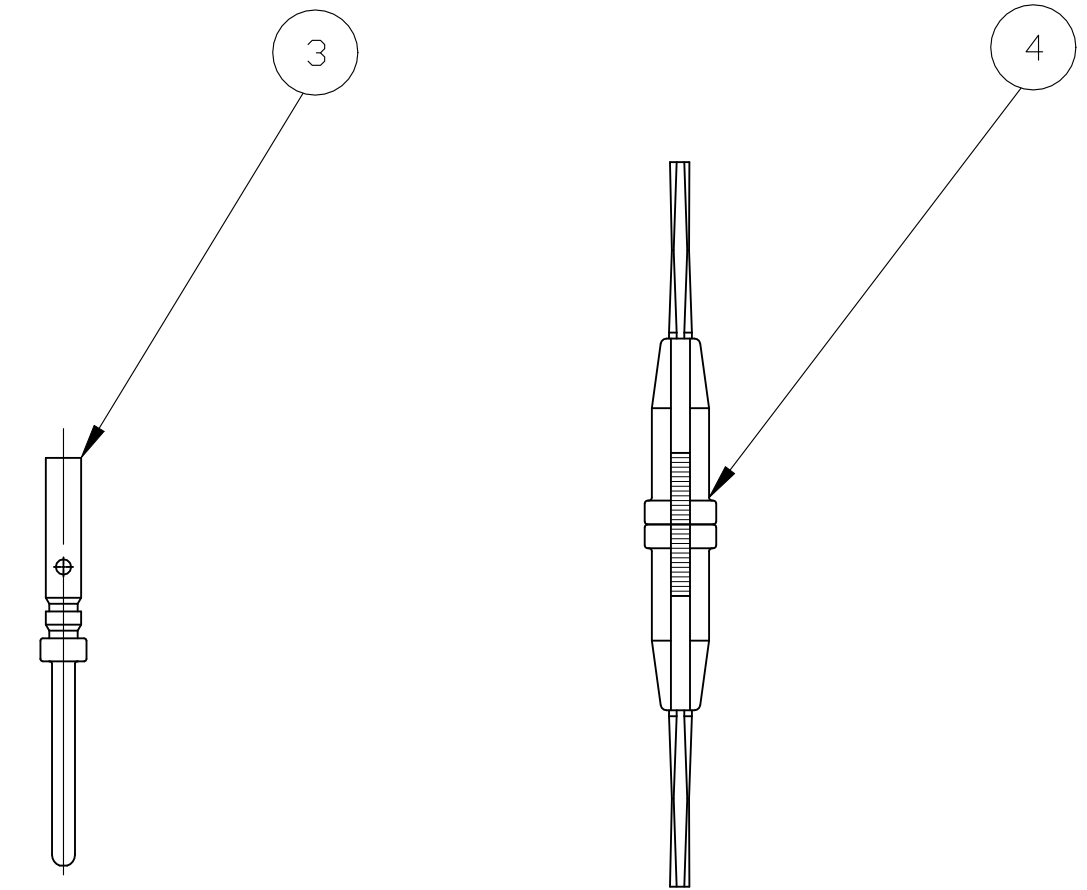
REVISIONS					
P	LTR	DESCRIPTION	DATE	DWN	APVD
J		REVISED PER ECN-24-268096	28MAY2024	PE	DS



MARK TE & DATE CODE
PER 115-10002-2
NEAR SIDE



MARK MILITARY PART NO.
FAR SIDE PER 115-10002-2
MARK TE PART NO, NEAR SIDE
SEE TABLE



OBSOLETE	M24308/8-17F	M24308/8-11F	91067-1	204370-2	204501-2	-	204513-6
OBSOLETE	M24308/8-11F	M24308/8-11F	-	204370-2	204501-2	-	204513-5
OBSOLETE	-	M24308/8-11F	91067-1	-	204501-2	-	204513-4
OBSOLETE	M24308/4-17F	M24308/4-11F	91067-1	204370-2	-	204501-1	204513-3
OBSOLETE	M24308/4-11F	M24308/4-11F	-	204370-2	-	204501-1	204513-2
OBSOLETE	-	M24308/4-11F	91067-1	-	-	204501-1	204513-1
	MILITARY P/N ON PACKAGE	MILITARY P/N ON CONNECTOR	4 INSERT/EXTRACT TOOL QTY = 1	3 PIN CONTACT QTY = 15	2 RECEPTACLE ASSY QTY = 1	1 RECEPTACLE ASSY QTY = 1	PART NUMBER

WARNING - THIS DOCUMENT CONTAINS TECHNOLOGY WHOSE EXPORT IS RESTRICTED BY THE EXPORT ADMINISTRATION REGULATIONS ("EAR") PURSUANT TO 15 C.F.R. PARTS 730-774. VIOLATIONS OF THE EAR ARE SUBJECT TO SEVERE CRIMINAL PENALTIES UNDER THE EXPORT CONTROL REFORM ACT, AS AMENDED (TITLE 50, U.S.C., SEC. 4801, ET SEQ.).

THIS DRAWING IS A CONTROLLED DOCUMENT.

DIMENSIONS: INCHES	TOLERANCES UNLESS OTHERWISE SPECIFIED:	DWN P. YEAGER 15DEC08	
	0 PLC ± -	CHK R. LEASE 16DEC08	
	1 PLC ± -	APVD R. LEASE 16DEC08	
	2 PLC ± -	PRODUCT SPEC	
MATERIAL SEE TABLE	FINISH SEE TABLE	APPLICATION SPEC	NAME AMPLIMITE KIT, HDD SERIES PLUG, SIZE 1, 15 POSITION
		WEIGHT -	SIZE A2
		CUSTOMER DRAWING	CAGE CODE 00779
			DRAWING NO C=204513
			RESTRICTED TO -
			SCALE 4:1
			SHEET 1 OF 1
			REV J