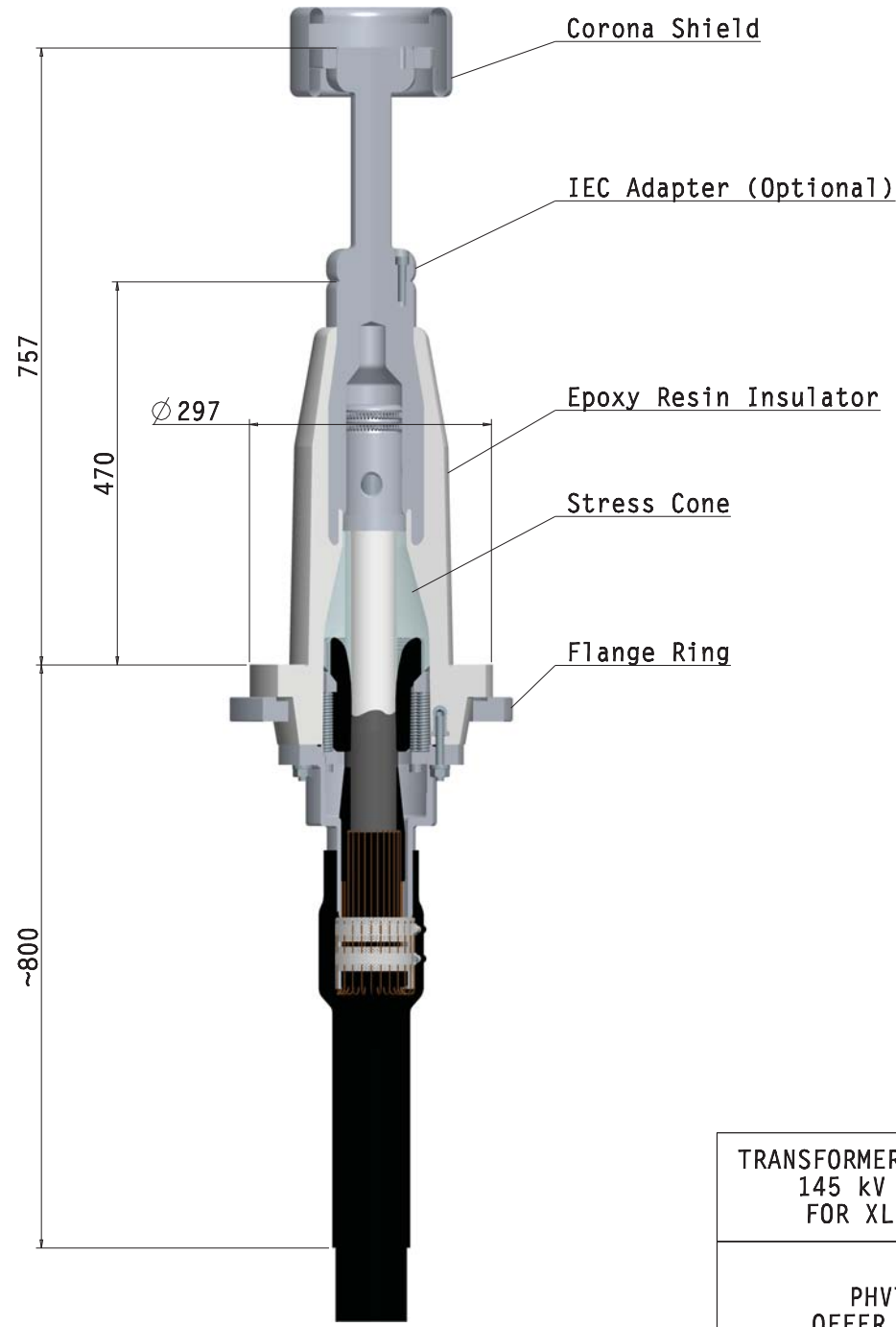
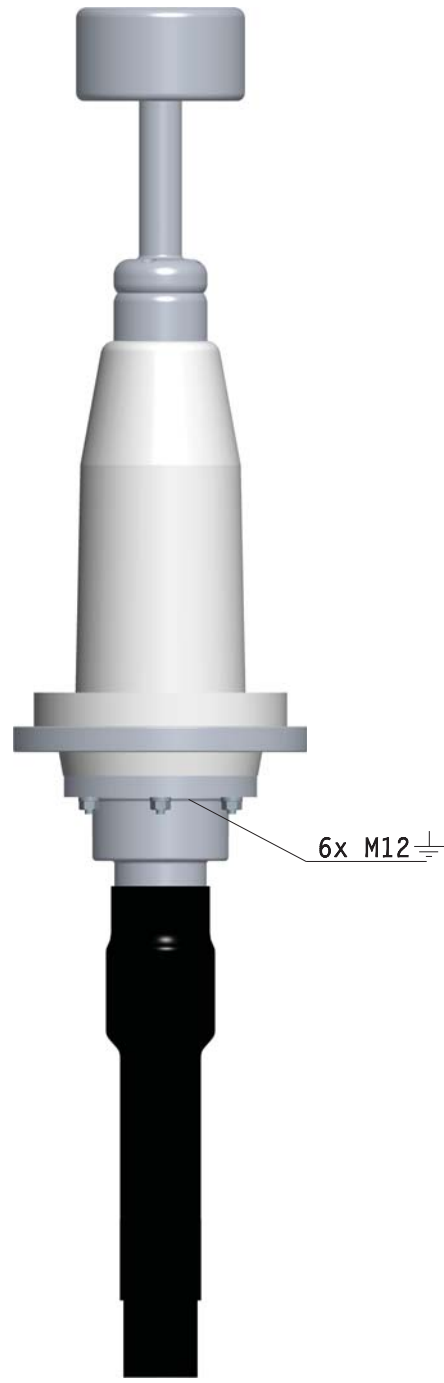

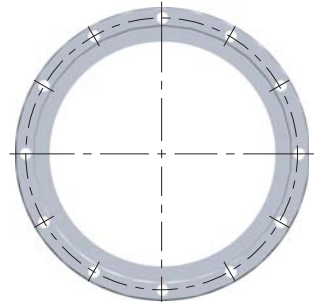


While TE Connectivity (TE) has made every reasonable effort to ensure the accuracy of the information in this catalog, TE does not guarantee that it is error free, nor does TE make any other representation, warranty or implied warranties regarding the information contained herein, including, but not limited to, any implied warranties or merchantability or fitness for a particular purpose. The dimensions in this catalog are for reference purpose only and are subject to change without notice. Specifications are subject to change without notice. Consult TE for the latest dimensions and design specifications.

4xM10x25  
BORES ON  $\phi 80$   
CONNECTION INTERFACE  
ACC. TO IEC 62271-209




12x $\phi 14.5$  BORES  
ON  $\phi 320$   
BASE FLANGE  
ACC. TO IEC 62271-209  
(IEC 60859)

TRANSFORMER TERMINATION  
145 KV DRY TYPE  
FOR XLPE-CABLE

---

PHVT-145  
OFFER DRAWING



**Raychem High Voltage Cable Accessories**

TE Connectivity drawing no: EPD-204-571-00

REV. 1