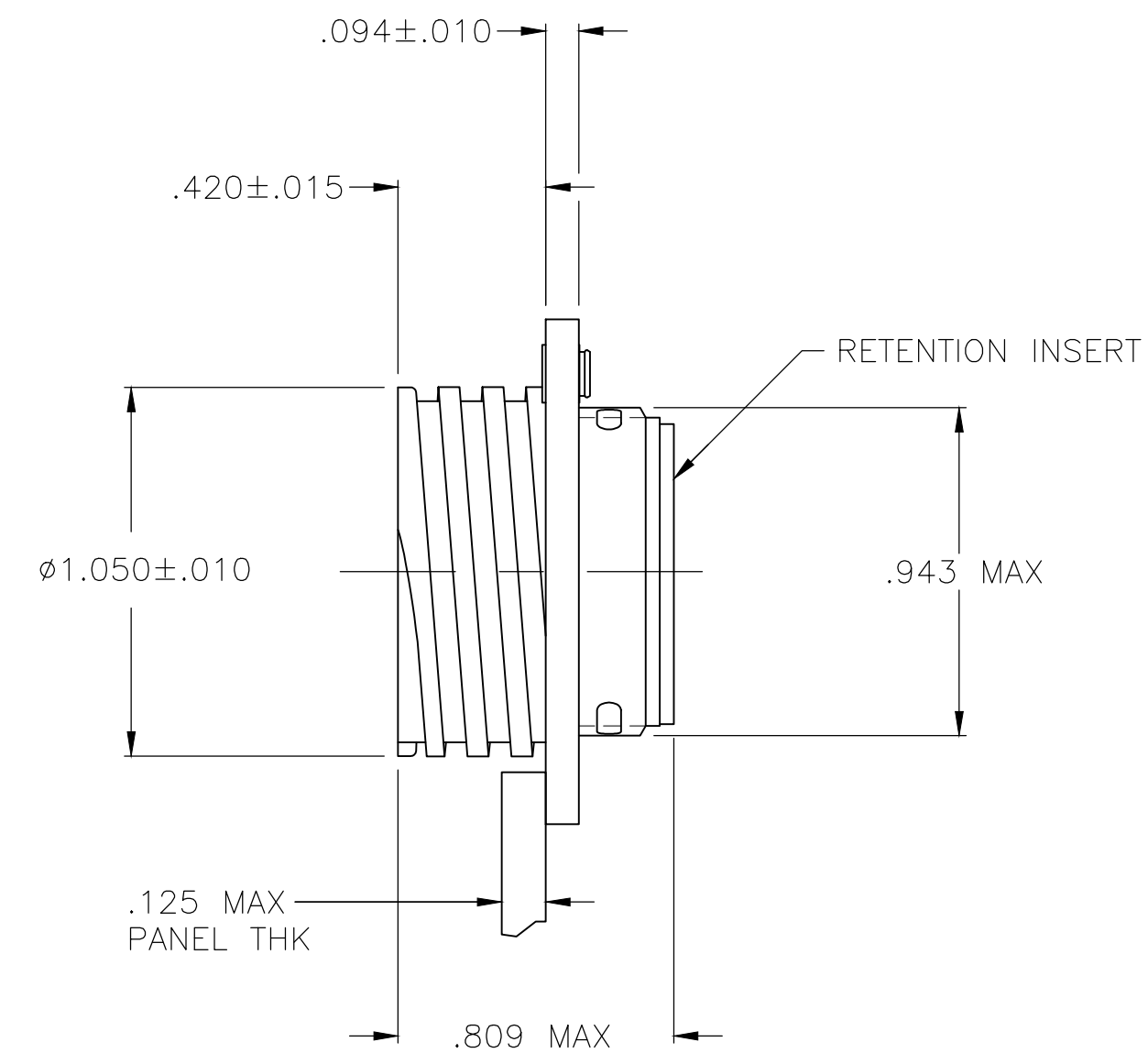
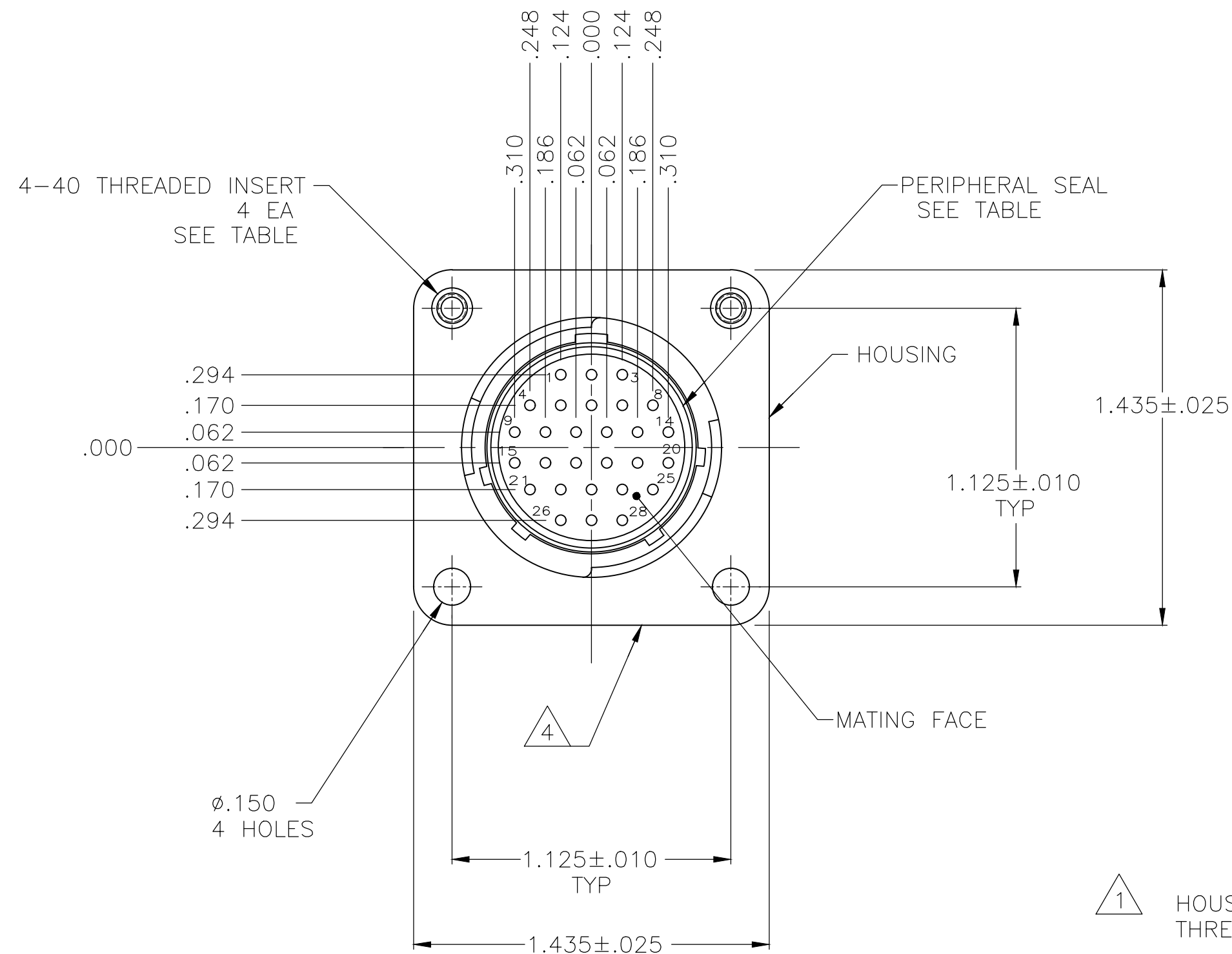
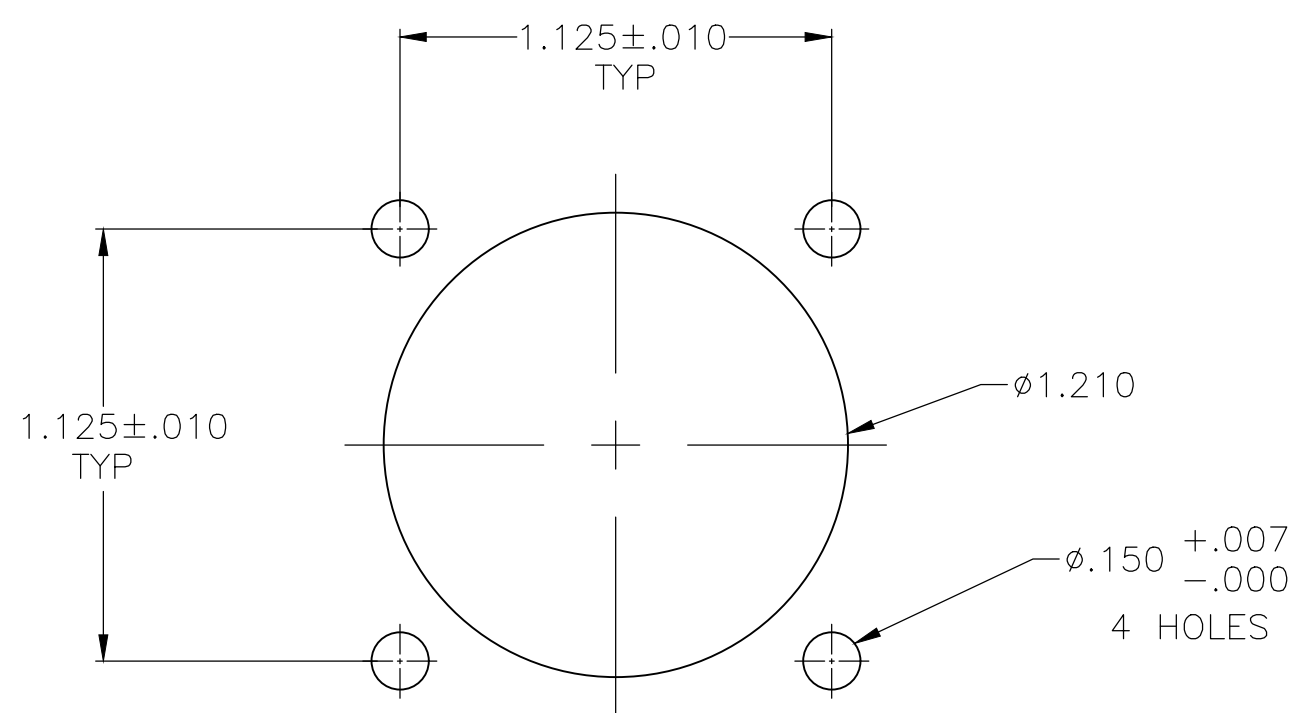


THIS DRAWING IS UNPUBLISHED. RELEASED FOR PUBLICATION
 © COPYRIGHT - By - ALL RIGHTS RESERVED.

REVISIONS					
P	LTR	DESCRIPTION	DATE	DWN	APVD
H2		REVISED PER ECO-13-019645	14DEC2013	KH	MZ
J		REVISED PER ECR-16-016563	07DEC2016	RS	MZ
K		REVISED PER ECO-17-016115	02NOV2017	RS	MZ



- 1 HOUSING & RETENTION INSERT: THERMOPLASTIC, BLACK. THREADED INSERTS: BRASS.
- 2 CONTACT CAVITIES IDENTIFIED BY CHARACTERS ON FRONT AND REAR FACES OF CONNECTOR.
- 3 WILL ACCEPT (28) SIZE 20 PIN CONTACTS.
- 4 PART NUMBER 205840-3 MOLDED INTO HOUSING. FINAL ASSEMBLY PART NUMBER AND DATE CODE STAMPED IN WHITE CHARACTERS OR LASER MARKED ON ANY FLANGE EDGE



PANEL CUTOUT

OBsolete	YES	YES	-205840-5-
	NO	YES	205840-4
	NO	NO	205840-3
	PERIPHERAL SEAL	4-40 THREADED INSERTS	PART NUMBER

THIS DRAWING IS A CONTROLLED DOCUMENT.		DWN	A.STAUB BG	4/3/91	STE TE Connectivity	
DIMENSIONS: INCHES		CHK	W.G.LENKER	7-24-92		
TOLERANCES UNLESS OTHERWISE SPECIFIED:		APVD	K.BEAVER	7-24-92		
0 PLC ± -		PRODUCT SPEC	108-10024			
1 PLC ± -		APPLICATION SPEC			NAME	RECEPTACLE ASSEMBLY, STD SEX, SERIES 2, 17-28, CPC
2 PLC ± -					SIZE	A2
3 PLC ± .005					CAGE CODE	00779
4 PLC ± -					DRAWING NO	C-205840
ANGLES ± -					RESTRICTED TO	-
MATERIAL	FINISH	WEIGHT			SCALE	2:1
1					SHEET	1 of 1
CUSTOMER DRAWING					REV	K