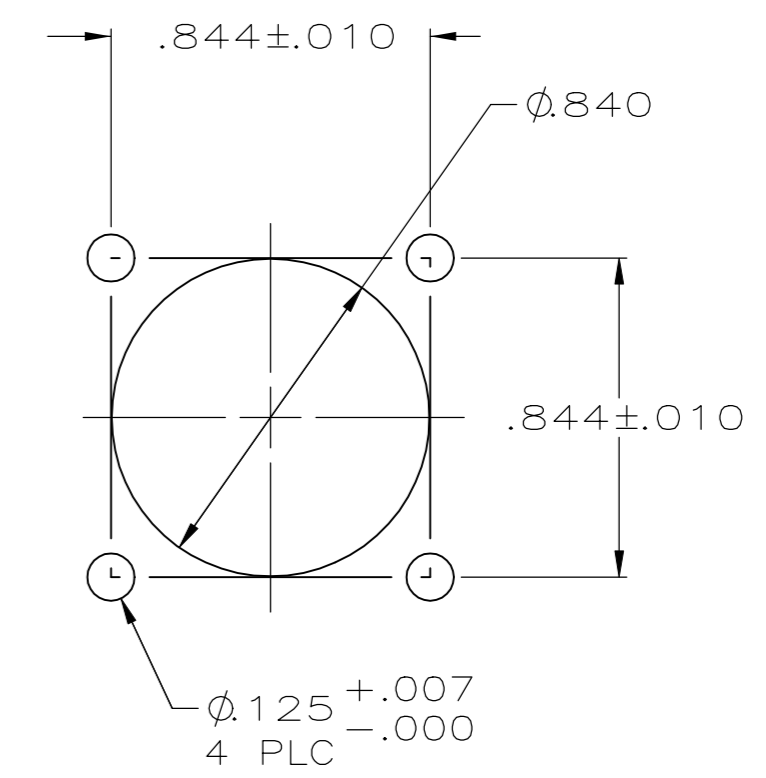
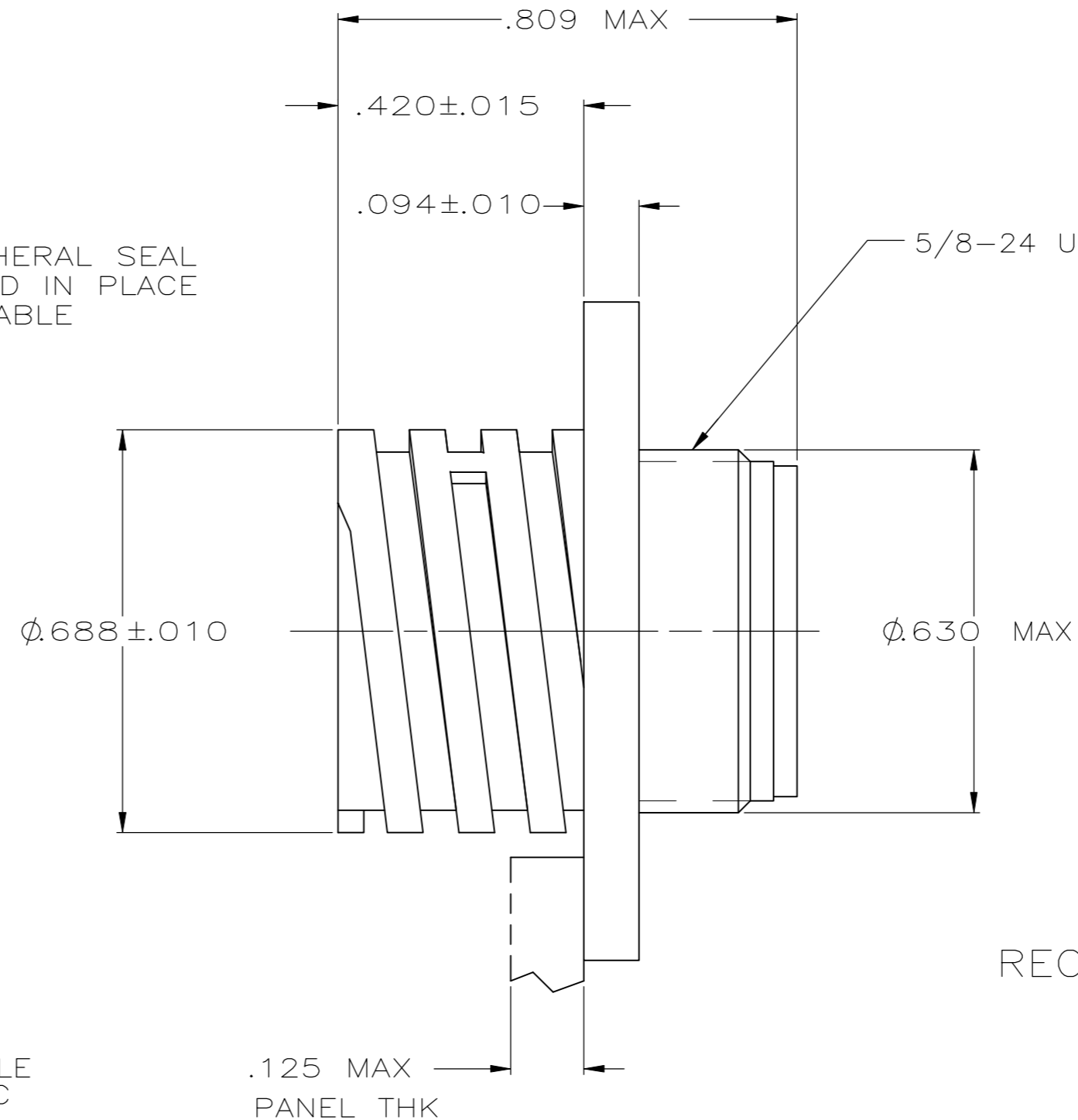
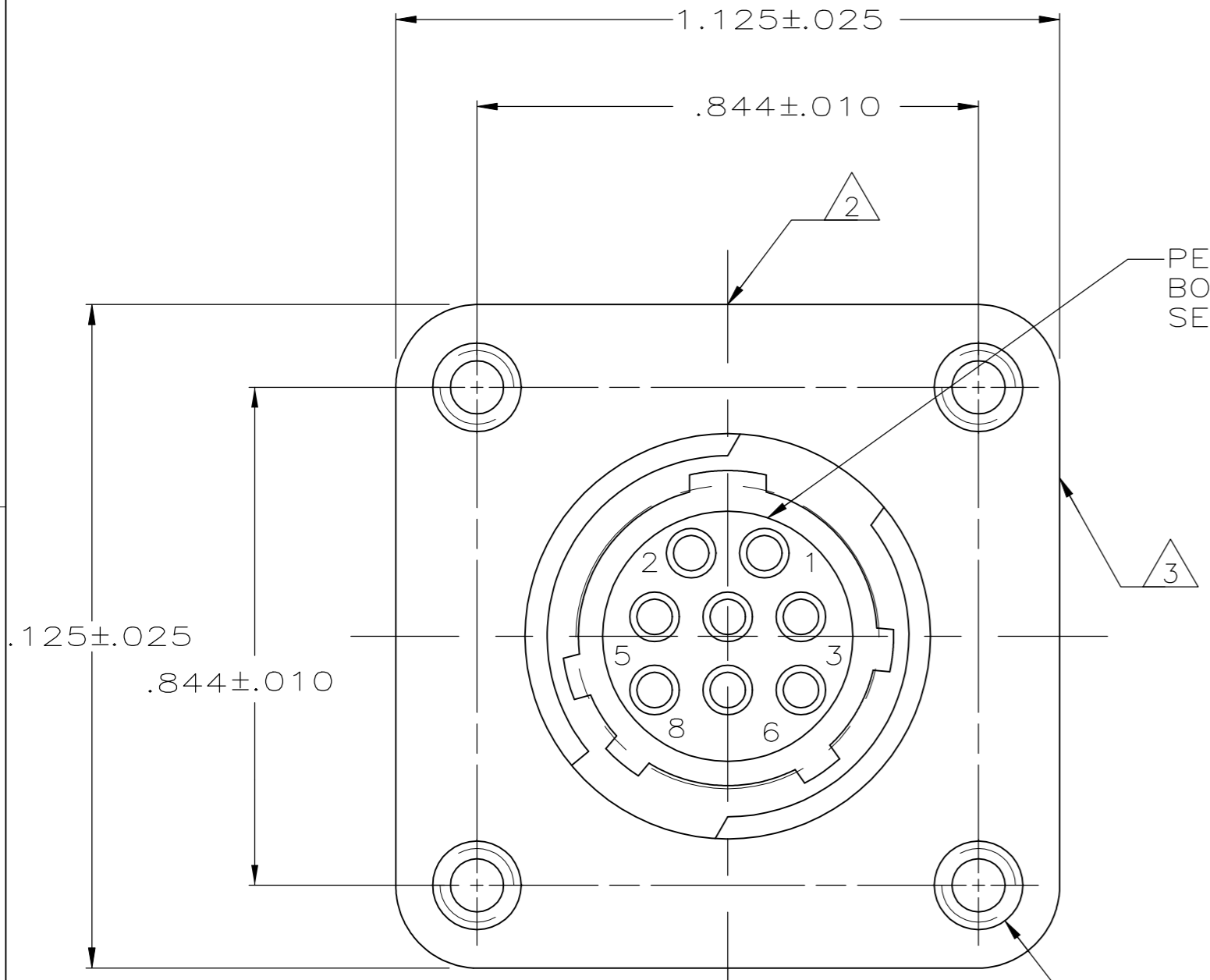
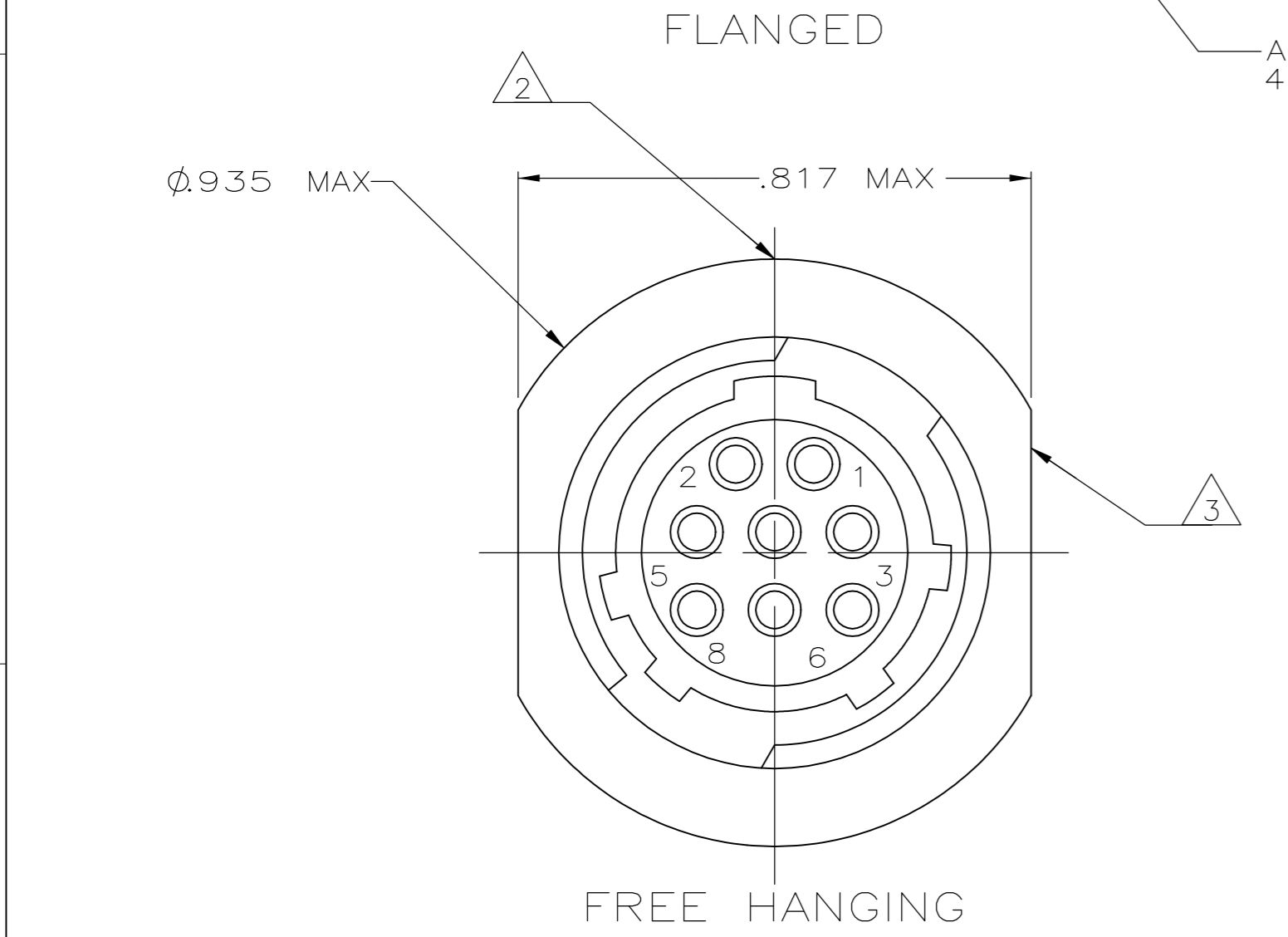


THIS DRAWING IS UNPUBLISHED.
 RELEASED FOR PUBLICATION
 ALL RIGHTS RESERVED.
 © COPYRIGHT - By -

| REVISIONS | | | | | |
|-----------|-----|---------------------------|-----------|-----|------|
| P | LTR | DESCRIPTION | DATE | DWN | APVD |
| H2 | | REVISED PER ECO-11-004587 | 11MAR11 | RK | HMR |
| J | | REVISED PER ECR-16-017870 | 20APR2017 | BDA | MZ |
| K | | REVISED PER ECO-18-000967 | 23MAR2018 | RS | MZ |



RECOMMENDED PANEL CUTOUT
 SCALE 2:1



| | | | | | |
|------------|--------------------|-------------------------------|------------------------------------|--------------|----------------|
| STANDARD | YES | 4-40 BRASS THREADED INSERT | 20 | FLANGED | △5 206433-6 |
| SMALL PACK | NO | .125 DIA | 20 | FLANGED | 206433-5 |
| STANDARD | NO | .125 DIA | 20DF WITHOUT INSULATION SUPPORT | FLANGED | △5 206433-4 |
| STANDARD | NO | 4-40 BRASS THREADED INSERT | 20 | FLANGED | 206433-3 |
| STANDARD | NO | - | 20 | FREE HANGING | 206433-2 |
| STANDARD | NO | .125 DIA | 20 | FLANGED | 206433-1 |
| PACKAGING | PERIPHERAL SEAL | A | WILL ACCEPT SOCKET CONTACT SIZE | TYPE | PART NUMBER |

- 1 CONTACT CAVITIES IDENTIFIED BY CHARACTERS ON FRONT AND REAR FACE.
- △2 AMP MOLDED ON THIS SURFACE.
- △3 PART NUMBER AND DATE CODE MARKED ON ANY FLANGE EDGE.
- 4 206433-4 STRIPPED WIRE LENGTH SHOULD BE .193-.213 WITH .095 MAX INSULATION.
- △5 OBSOLETE PART NUMBER.

THIS DRAWING IS A CONTROLLED DOCUMENT.

| | | | | | |
|---|---|--------------------------------|----------------------------|--|------------------------------|
| DIMENSIONS: INCHES | TOLERANCES UNLESS OTHERWISE SPECIFIED: | DWN J. McCLINTON 1-25-88 | CHK R. STONE 1-26-88 | APVD M. KAPEZYNSKI 1-27-88 | NAME TE Connectivity Ltd. |
| | | | | RECEPTACLE ASSEMBLY, ARRANGEMENT 11-8 REVERSE SEX, CPC | |
| MATERIAL NYLON, GLASS FILLED, FLAME RETARDED, BLACK | FINISH - | APPLICATION SPEC | | SIZE A2 00779 | DRAWING NO C-206433 |
| CUSTOMER DRAWING | | SCALE 4:1 | SHEET 1 of 1 | REV K | RESTRICTED TO |