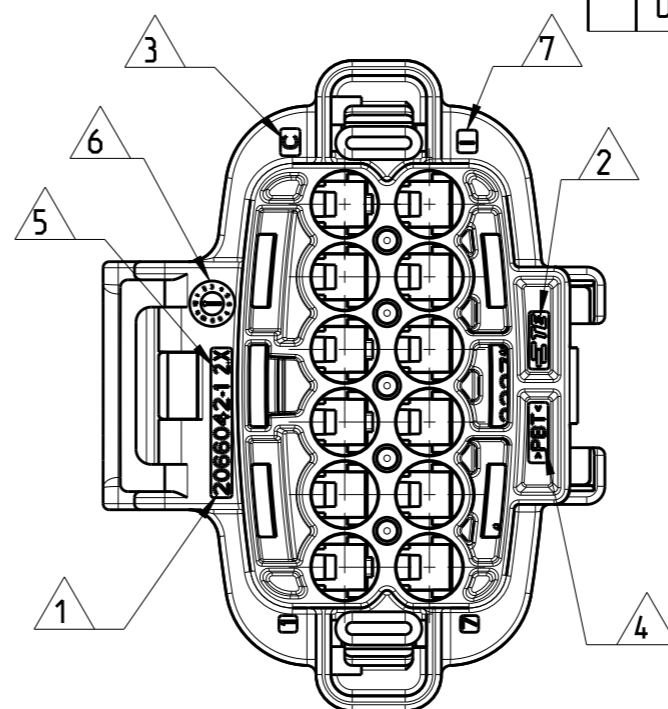
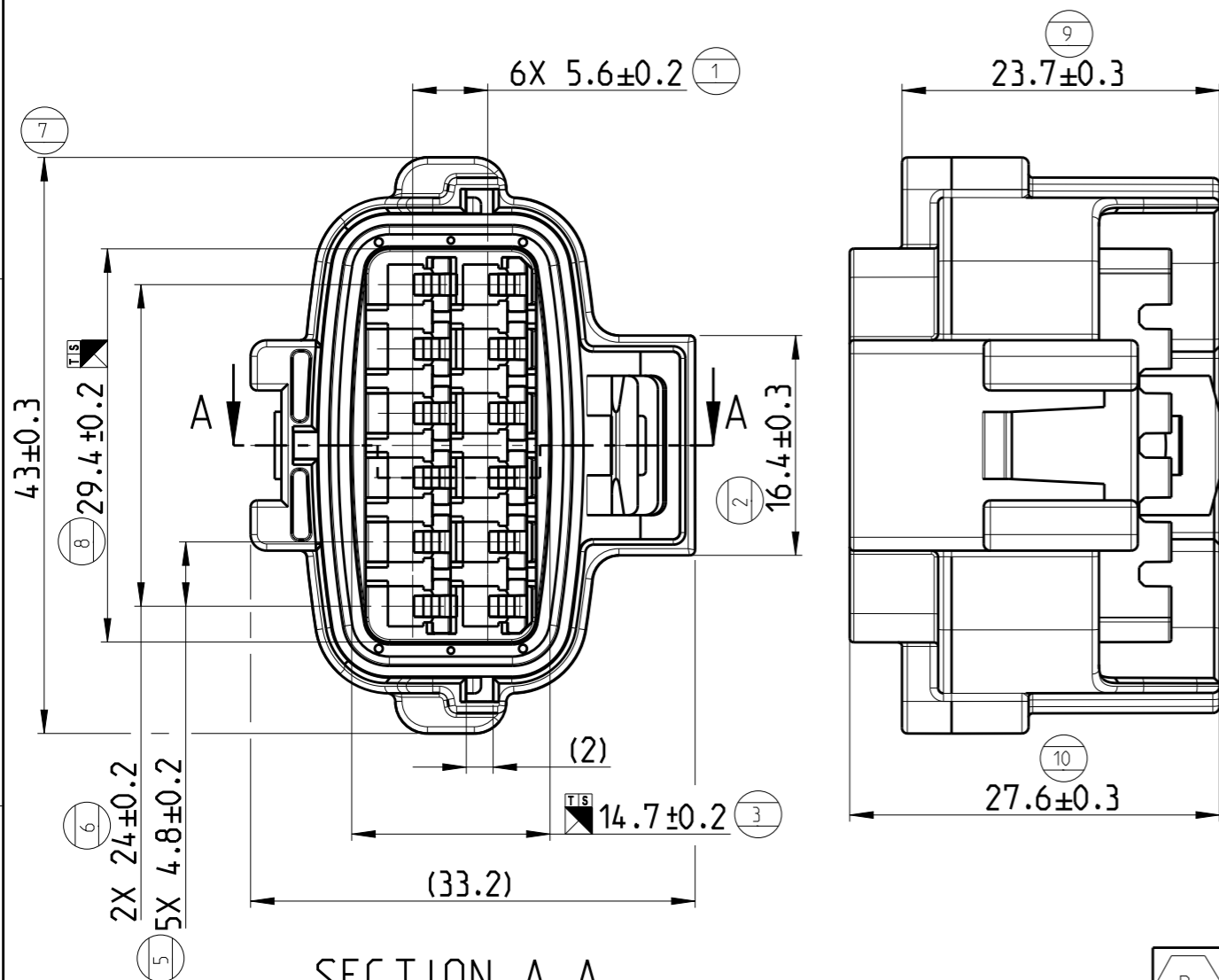


THIS DRAWING IS UNPUBLISHED
RELEASED FOR PUBLICATION MAY 2019
COPYRIGHT 2019 ALL RIGHTS RESERVED.

REVISIONS

P	LTR	DESCRIPTION	DATE	DWN	APVD
B		TOP HOLDING AREA RADIUS ADDED	22SEP2014	PV	VVB
B1		SHARP CORNER REMOVED AT HOLDING AREA - SEE ECR-15-000922	22MAY2015	MT	VVB
C		REPLACING SEAL WITH NON-DEHP MATERIAL- SEE PCN :E-16-008887	20JUN2016	VNB	VVB
D		AS PER ECR-19-005556 AND PCN :P-19-017472	23MAY2019	CHS	VVB

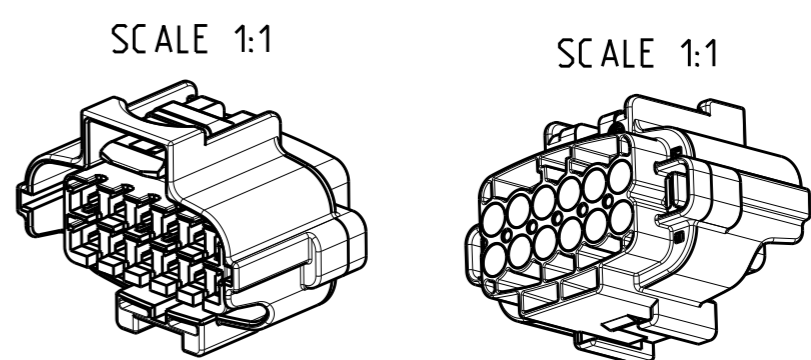
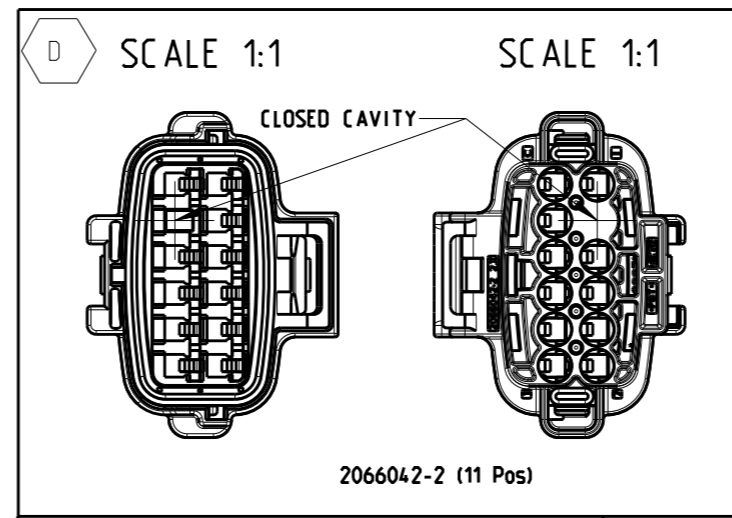
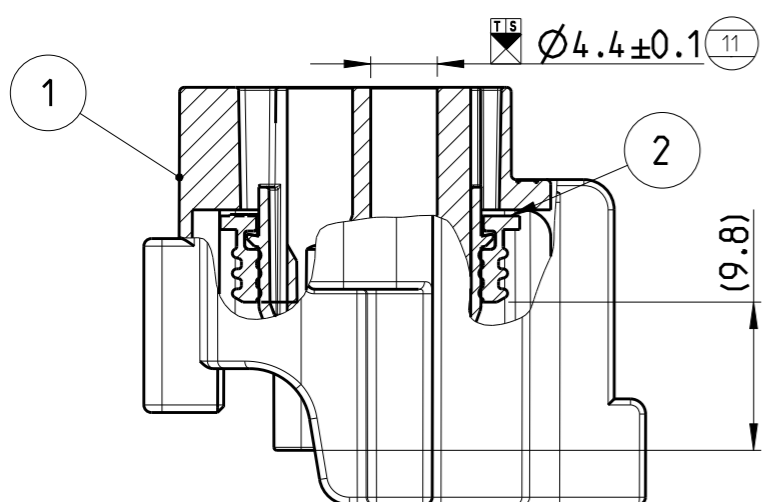
2066042-1 AS SHOWN



NOTES:

- 13 1 TE CONNECTIVITY PART NUMBER
- 14 2 TE CONNECTIVITY TRADEMARK
- 15 3 PART REVISION INDEX - SEE TABLE
- 16 4 MATERIAL MARKING
- 17 5 MOLD CAVITY IDENTIFICATION NUMBER
- 18 6 PRODUCTION DATE
- 19 7 MATERIAL IDENTIFIER
- 8. MATED WITH CAP HOUSING PART NUMBER 2066043-1/2
- 9. THIS PART MUST BE USED WITH DOUBLE LOCK PLATE P/N - 2066500-1
- 10. FOR DETAILS OF APPLICABLE TERMINALS, SINGLE WIRE SEAL AND WIRE TYPE - SEE PRODUCT SPEC. : 108-94594 OR EJ MK II SEALED CONNECTOR CATALOGUE
- 11. BULK PACKAGING IN CORRUGATED BOX

SECTION A-A



THIS DRAWING IS A CONTROLLED DOCUMENT.

DIMENSIONS: mm	TOLERANCES UNLESS OTHERWISE SPECIFIED: ±0.15
0 PLC	±
1 PLC	±
2 PLC	±
3 PLC	±
ANGLES	±
FINISH	-
MATERIAL	SEE TABLE

DWN	Mithun.T	11FEB2014
CHK	Danappa.H	12FEB2014
APVD	V.V. Bidi	12FEB2014
PRODUCT SPEC	108-94594	
APPLICATION SPEC	114-94473	
WEIGHT	11.7 g	
Customer Drawing		

		TE Connectivity	
		NAME	
12POS. ECONOSEAL J-MARK II+ CONNECTOR PLUG HOUSING		SIZE	CAGE CODE
A300779		C-2066042	
DRAWING NO		RESTRICTED TO	
SCALE 5:1		SHEET 1 OF 1	REV D

TE PART NO.	REV.	POS	QTY.	MATERIAL	COLOR	DESCRIPTION	ITEM NO
2066042-2	A	-	1	SILICON	GREEN	12P PERIPHERAL SEAL	2
	C	11	1	PBT	BLACK	12P PLUG HOUSING	1
2066042-1	A	-	1	SILICON	GREEN	12P PERIPHERAL SEAL	2
	C	12	1	PBT	BLACK	12P PLUG HOUSING	1