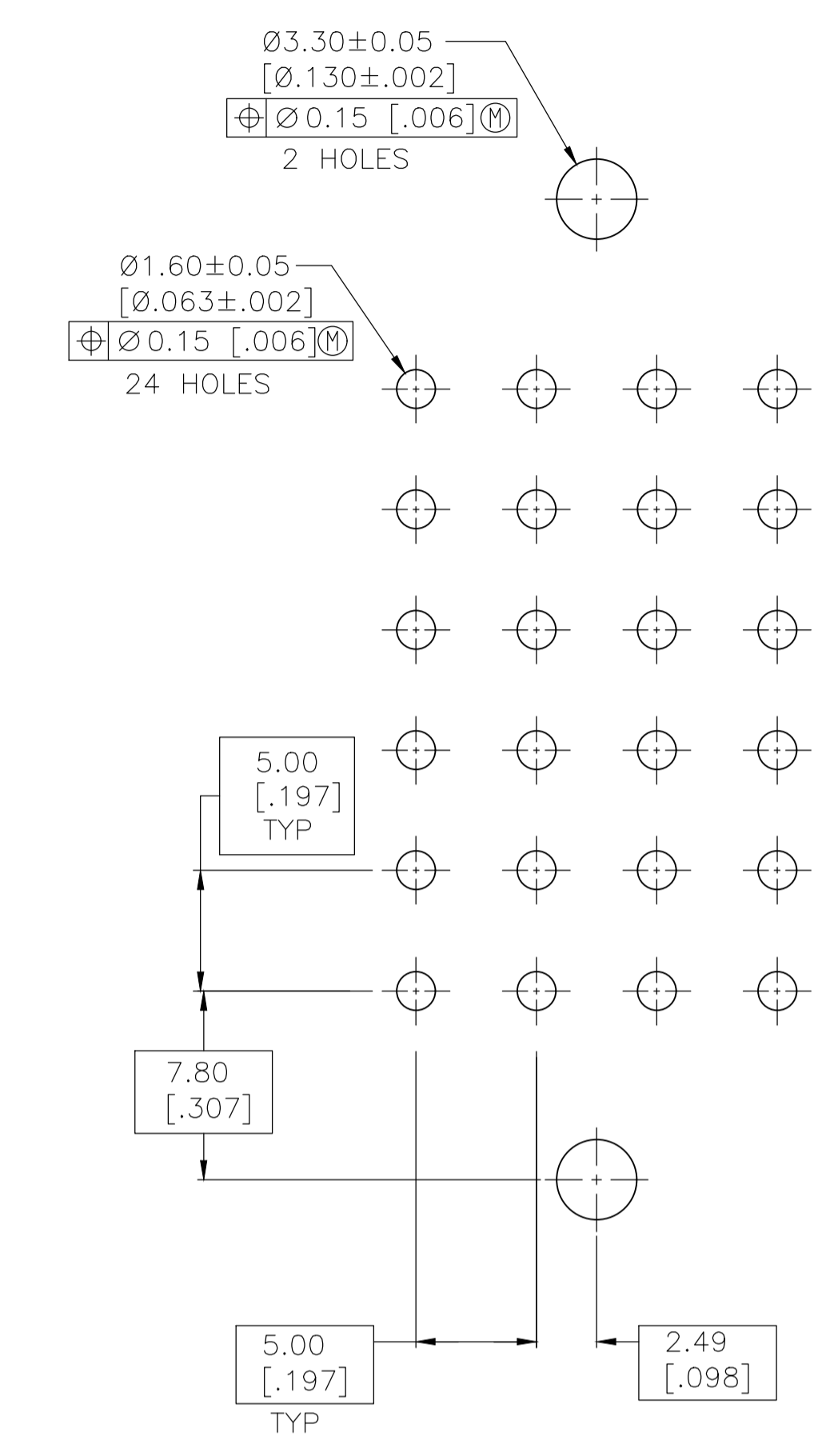
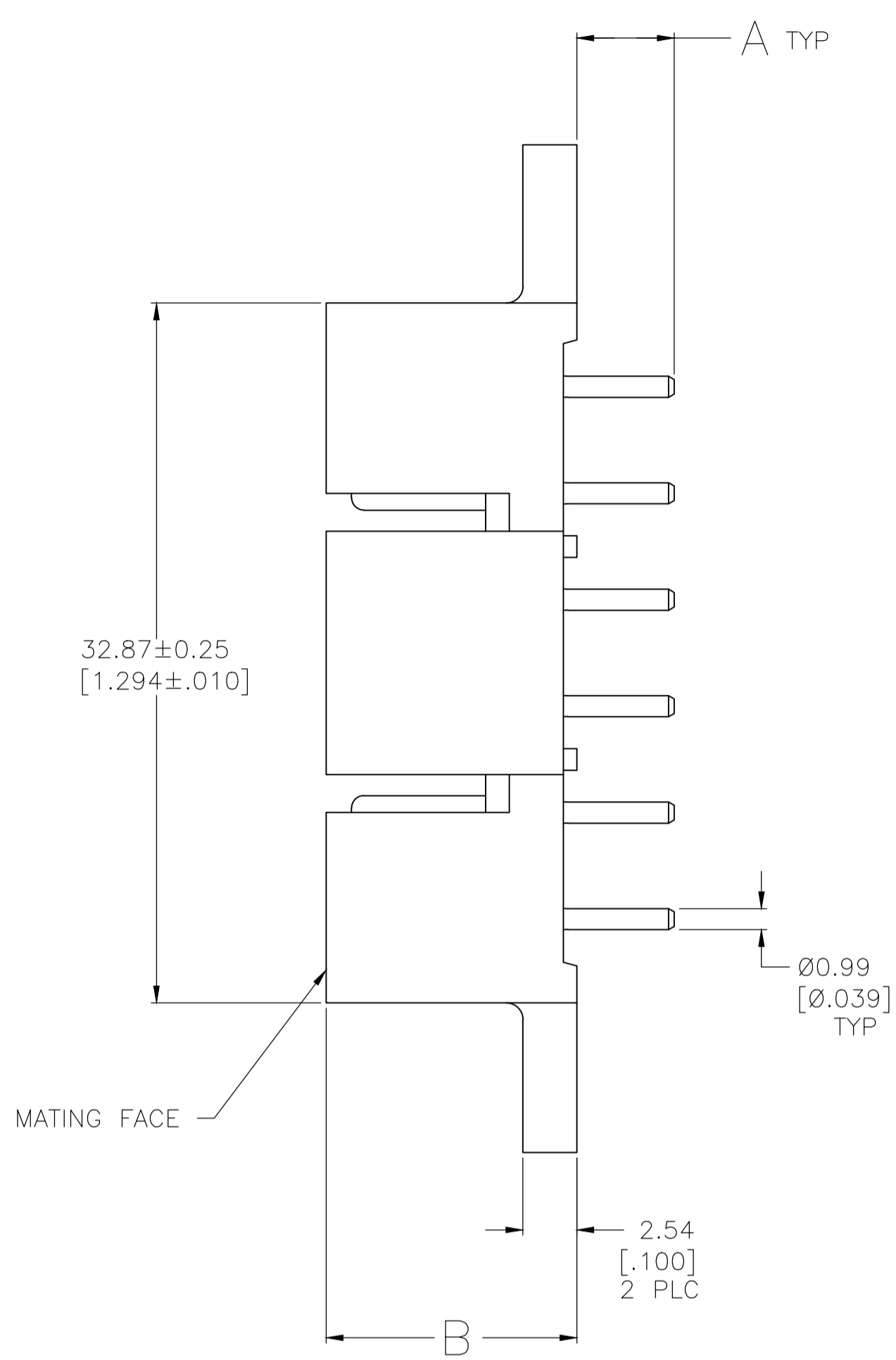
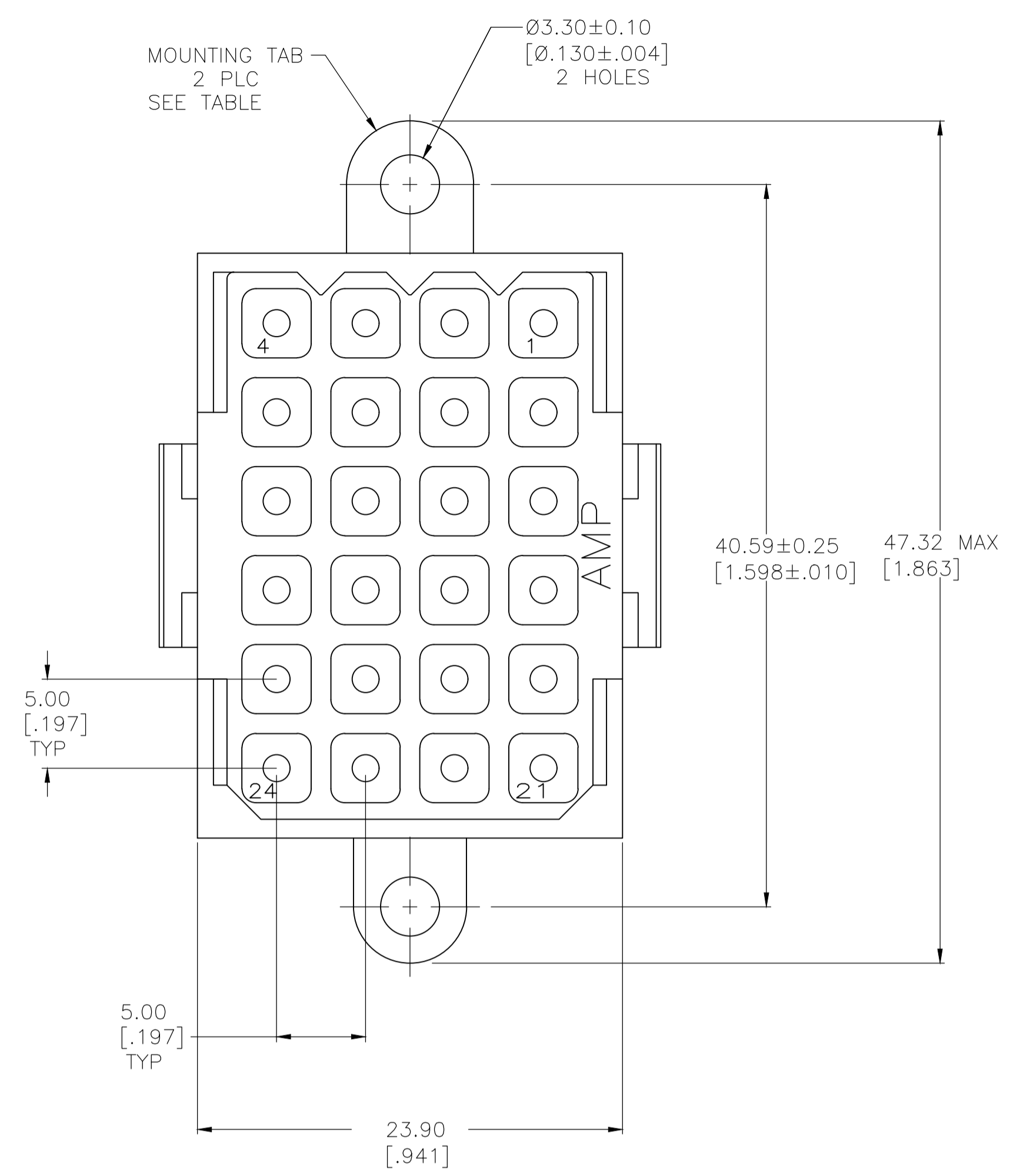
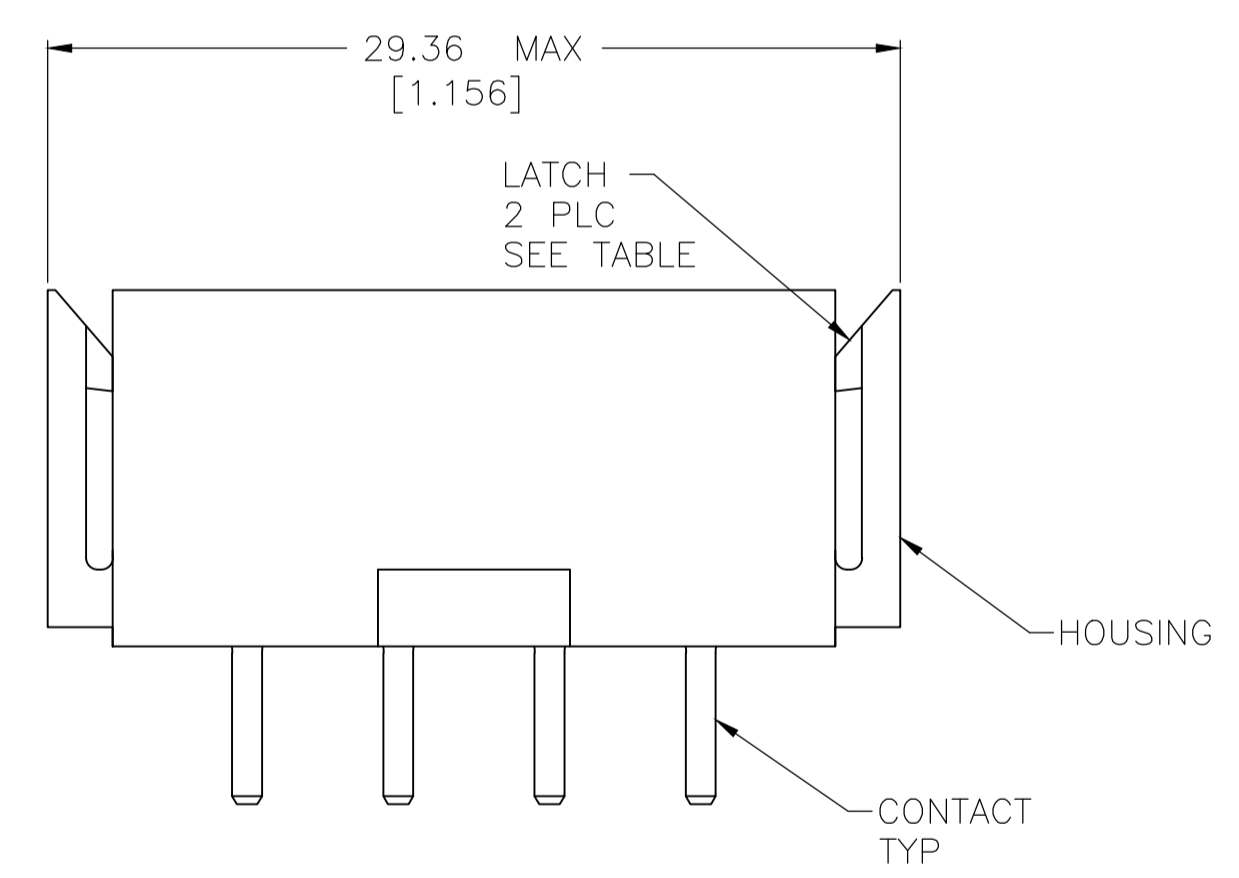


REVISIONS					
P	LTR	DESCRIPTION	DATE	OWN	APVD
AA		REVISED PER ECO-16-011265	12AUG2016	NK	MZ
AB		REV PER ECO-18-000441	23JAN2018	RS	MZ
AC		REVISED PER ECO-20-002045	13FEB2020	RK	MZ



RECOMMENDED PC BOARD LAYOUT



- 1 HOUSING MATERIAL: PA66, BLACK, UL 94 V-0 RATED
- 2 CONTACT MATERIAL: BRASS PER ASTM B36
- 3  $3.81\mu\text{m}$  [ $.000150$ ] MIN TIN-LEAD OVER  $2.54\mu\text{m}$  [ $.000100$ ] MIN COPPER OR  $1.27\mu\text{m}$  [ $.000050$ ] MIN NICKEL.
- 4  $0.76\mu\text{m}$  [ $.000030$ ] MIN GOLD FOR A LENGTH OF  $5.08$  [ $.200$ ] FROM MATING END,  $3.81\mu\text{m}$  [ $.000150$ ] MIN TIN-LEAD FOR A LENGTH OF  $4.83$  [ $.190$ ] MIN FROM OPPOSITE END, BOTH OVER  $1.27\mu\text{m}$  [ $.000050$ ] MIN NICKEL.
- 5  $0.38\mu\text{m}$  [ $.000015$ ] MIN GOLD FOR A LENGTH OF  $5.08$  [ $.200$ ] FROM MATING END,  $3.81\mu\text{m}$  [ $.000150$ ] MIN TIN-LEAD FOR A LENGTH OF  $4.83$  [ $.190$ ] MIN FROM OPPOSITE END, BOTH OVER  $1.27\mu\text{m}$  [ $.000050$ ] MIN NICKEL.
- 6  $.000150$  MIN TIN OVER  $.000100$  MIN COPPER OR  $.000050$  MIN NICKEL.
- 7  $0.76\mu\text{m}$  [ $.000030$ ] MIN GOLD FOR A LENGTH OF  $5.08$  [ $.200$ ] FROM MATING END,  $3.81\mu\text{m}$  [ $.000150$ ] MIN TIN FOR A LENGTH OF  $4.83$  [ $.190$ ] MIN FROM OPPOSITE END, BOTH OVER  $1.27\mu\text{m}$  [ $.000050$ ] MIN NICKEL.

	11.79[.464]	4.60±0.64[.181±.025]	YES	7	NO	1-206763-4
	11.79[.464]	4.60±0.64[.181±.025]	YES	7	YES	1-206763-3
	11.79[.464]	4.60±0.64[.181±.025]	YES	6	NO	1-206763-2
	11.79[.464]	4.60±0.64[.181±.025]	YES	6	YES	1-206763-1
OBSOLETE	11.79[.464]	4.60±0.64[.181±.025]	NO	5	YES	206763-9
OBSOLETE	13.31[.524]	4.60±0.64[.181±.025]	YES	3	NO	206763-8
OBSOLETE	11.79[.464]	4.60±0.64[.181±.025]	YES	4	NO	206763-4
OBSOLETE	11.79[.464]	4.60±0.64[.181±.025]	YES	4	YES	206763-3
OBSOLETE	11.79[.464]	4.60±0.64[.181±.025]	YES	3	NO	206763-2
OBSOLETE	11.79[.464]	4.60±0.64[.181±.025]	YES	3	YES	206763-1

THIS DRAWING IS A CONTROLLED DOCUMENT.

DIMENSIONS: mm [INCHES]	TOLERANCES UNLESS OTHERWISE SPECIFIED:	DIN L/SIDE 03/11/92	APVD R.STONE 3-17-92	NAME
0 PLC ± -	1 PLC ± -	2 PLC ± 0.13 [.005]	3 PLC ± -	4 PLC ± -
CONTACT: SEE TABLE		<b>STE</b> TE Connectivity PIN HEADER ASSEMBLY, 24 POSITION, METRIMATE 108-10033 APPLICATION SPEC		
MATERIAL	FINISH	WEIGHT	SIZE	CAGE CODE
			A1	00779
CUSTOMER DRAWING		SCALE	SHEET	REV
		4:1	1 OF 1	AC