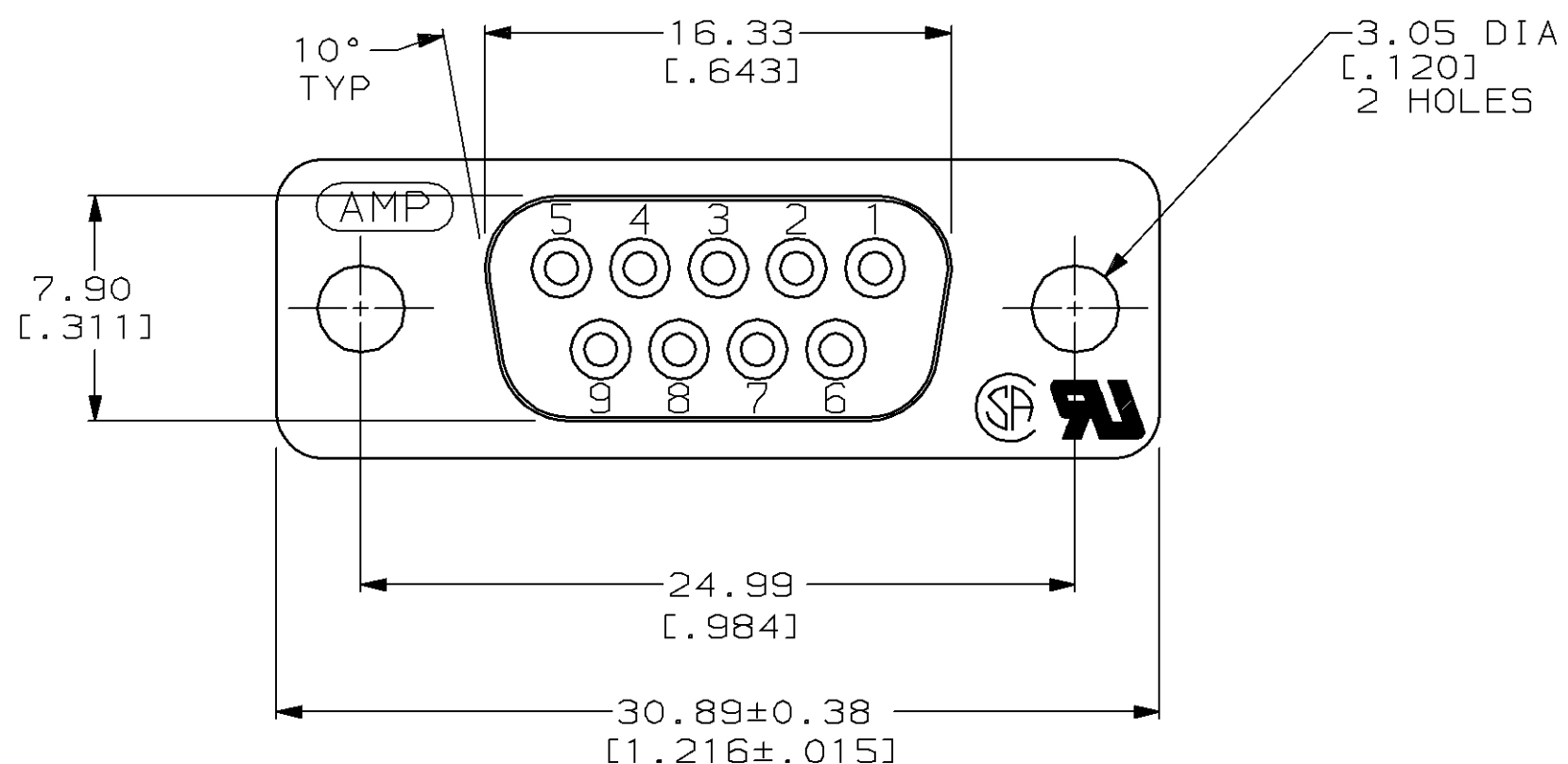
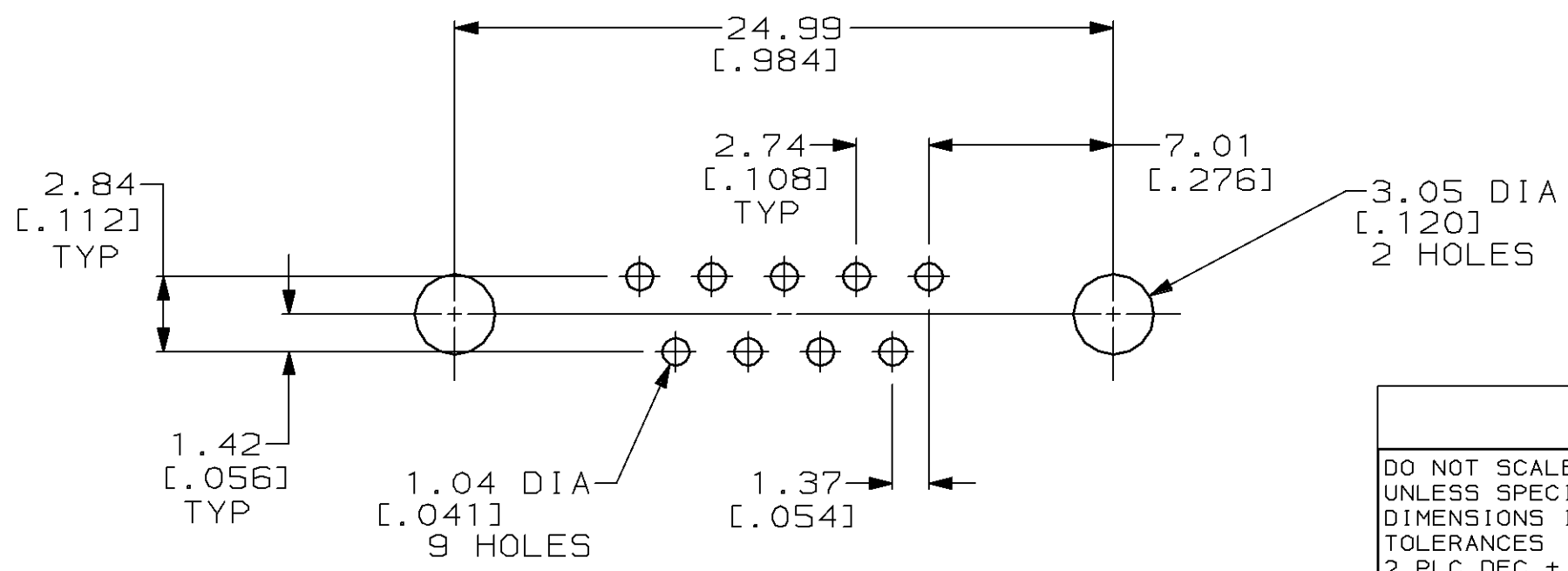
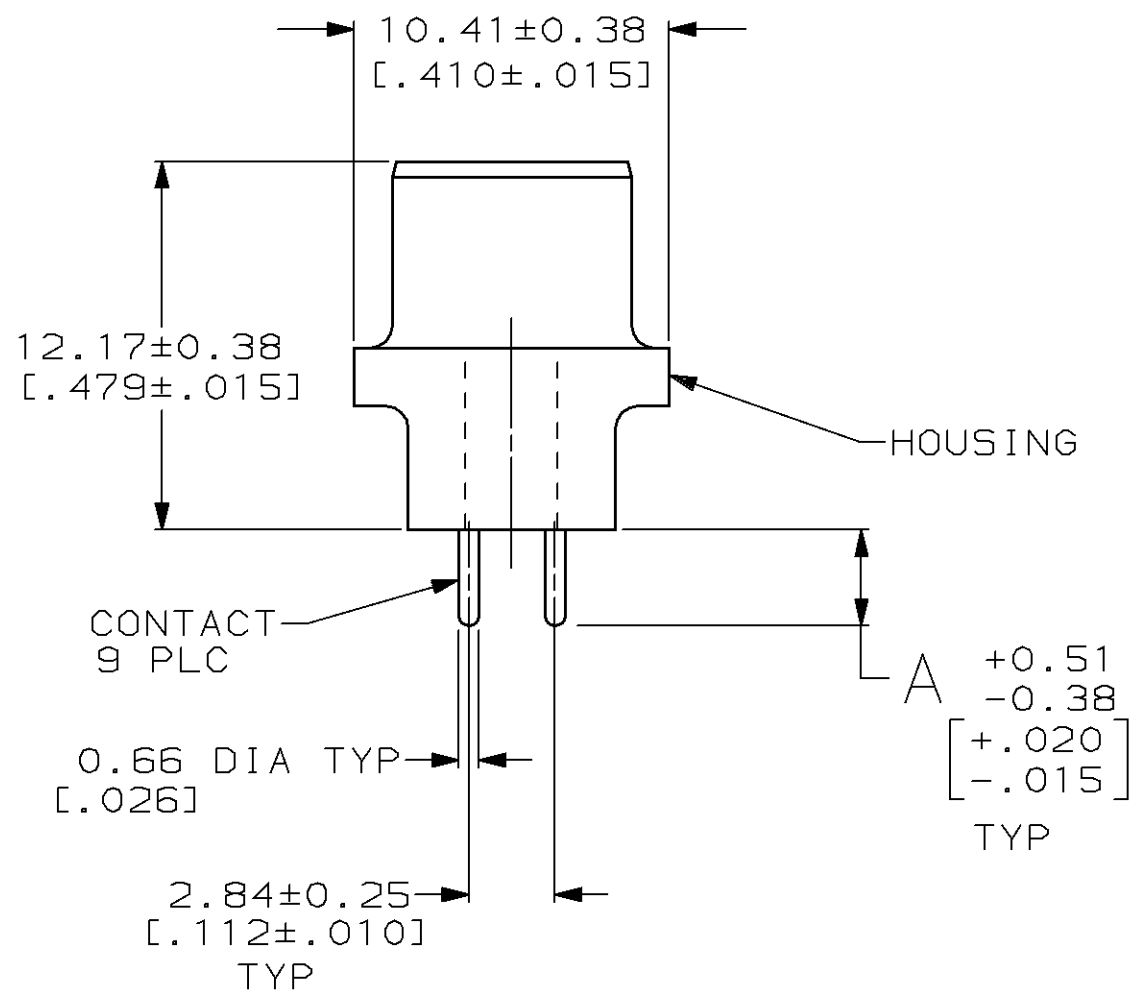
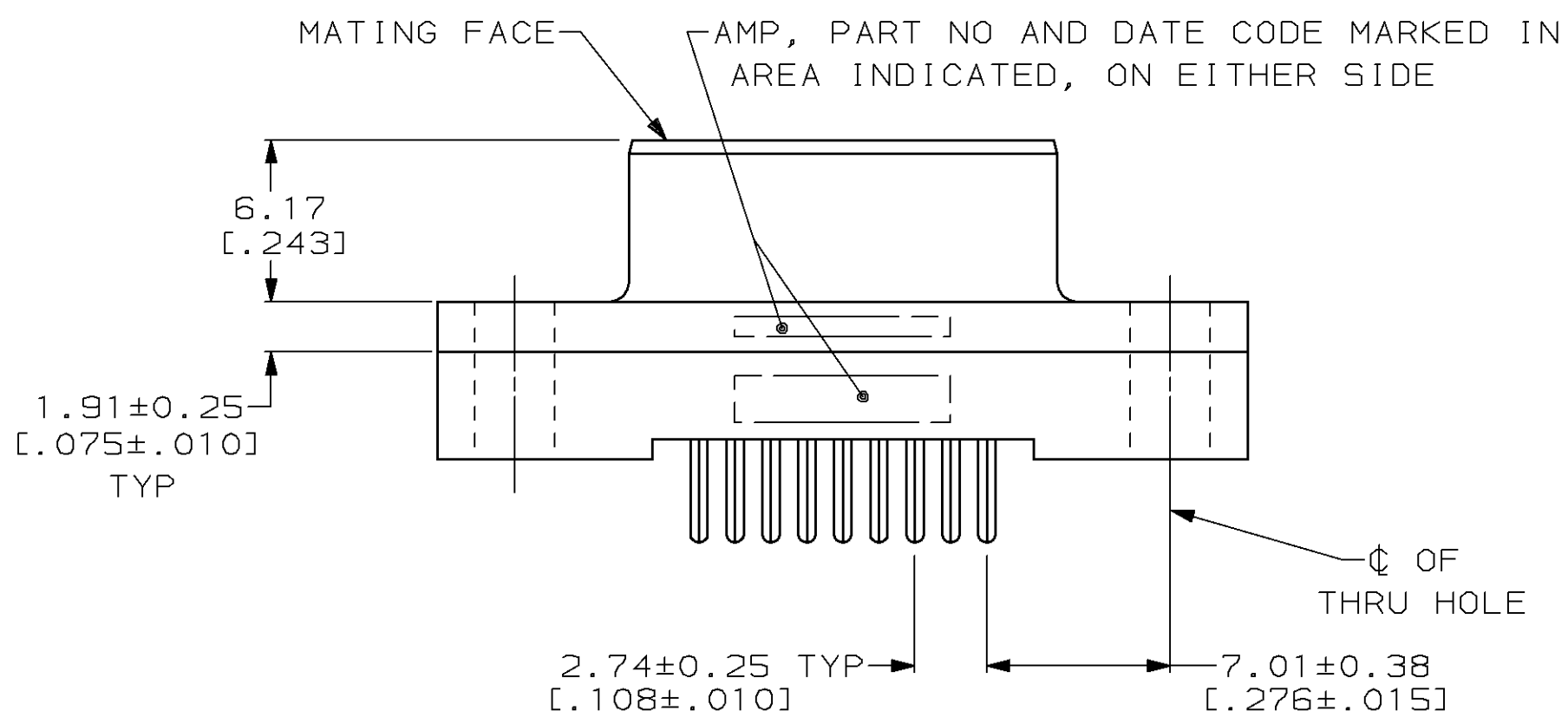


| LOC | DIST | P | F | REVISIONS |                               |          |      |
|-----|------|---|---|-----------|-------------------------------|----------|------|
|     |      |   |   | ZONE      | LTR                           | DATE     | APPD |
| BD  | 77   |   |   | D         | REDRAWN & REVISED, ECN BD3361 | 11-89    | SS   |
|     |      |   |   | E         | OBS 207826-7, -8 BD6038       | 06/10/92 | CR   |
|     |      |   |   | F         | OBS -5, -6 PER EC 0020-964-93 | 04/05/94 | CR   |



- ① HOUSING: BLACK POLYESTER, UL 94V-0 RATED; CONTACTS: PHOSPHOR BRONZE PER QQ-B-750.
- ② GOLD PLATING PER MIL-G-45204, TIN PLATING PER MIL-T-10727, NICKEL PLATING PER QQ-N-290.
- ③ GOLD FLASH FOR A LENGTH OF 2.54 [.100] MIN FROM MATING END, 2.54µm [.000100] MIN TIN OR TIN-LEAD FOR A LENGTH OF DIMENSION A FROM OPPOSITE END, ALL OVER 1.27µm [.000050] MIN NICKEL.
- ④ 0.76µm [.000030] MIN GOLD FOR A LENGTH OF 2.54 [.100] MIN FROM MATING END, 2.54µm [.000100] MIN TIN OR TIN-LEAD FOR A LENGTH OF DIMENSION A FROM OPPOSITE END, ALL OVER 1.27µm [.000050] MIN NICKEL.



| CONTACT FINISH | PART NO  |
|----------------|----------|
| ④              | 207826-8 |
| ③ ④            | 207826-7 |
| ③ ④            | 207826-6 |
| ③ ④            | 207826-5 |
| ④              | 207826-4 |
| ③ ④            | 207826-3 |

|  |  |  |
|--|--|--|
| DO NOT SCALE PRINT. UNLESS SPECIFIED DIMENSIONS IN mm [INCHES] TOLERANCES ON:<br>2 PLC DEC ± 0.13 [.005]<br>3 PLC DEC ± -<br>ANGLES ± 2° | DR 11-16-89<br>J McCLINTON<br>CHK 2-1-90<br>R.STONE<br>APPD 2-2-90<br>S.SCHIEFFERLY<br>APPD 2-2-90<br>C.ROHDE<br>PRODUCT SPEC<br>108-40025 | AMP INCORPORATED<br>Harrisburg, Pa. 17105<br>NAME<br>RECEPTACLE ASSEMBLY, SIZE 1,<br>9 POSN, VERTICAL,<br>AMPLIMITE® HD-20 |
| FINISH ②<br>CONTACT: SEE TABLE   | APPLICATION SPEC<br>-  | SIZE C<br>CAGE CODE 00779<br>DRAWING NO 207826   |
|  | WEIGHT -   | SCALE 4:1<br>SHEET 1 OF 1  |