

THIS DRAWING IS UNPUBLISHED.
DIFFUSION RESTREINTE

RELEASED FOR PUBLICATION
LIBRE A LA DIFFUSION 20

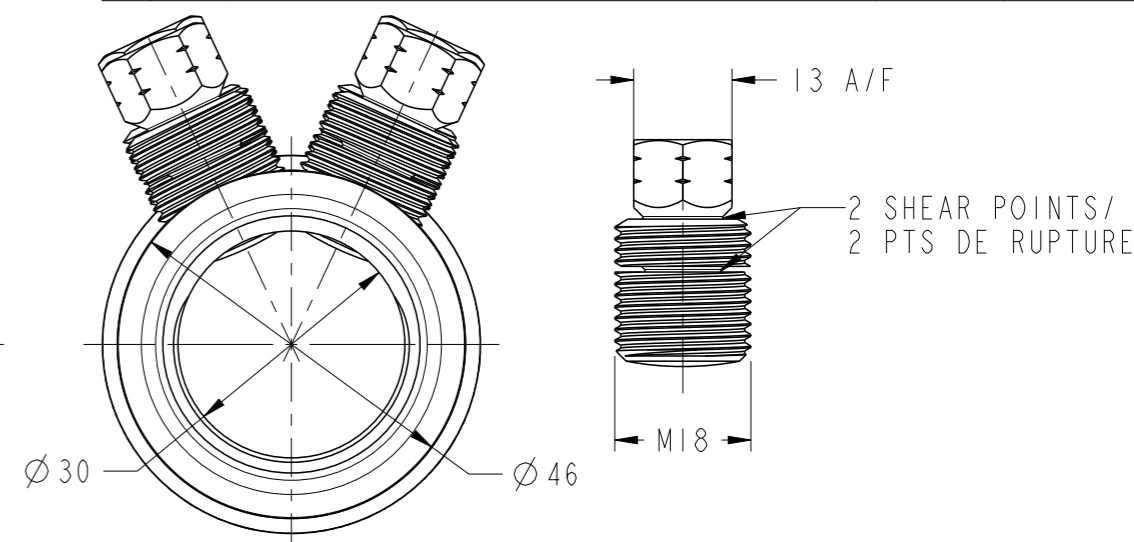
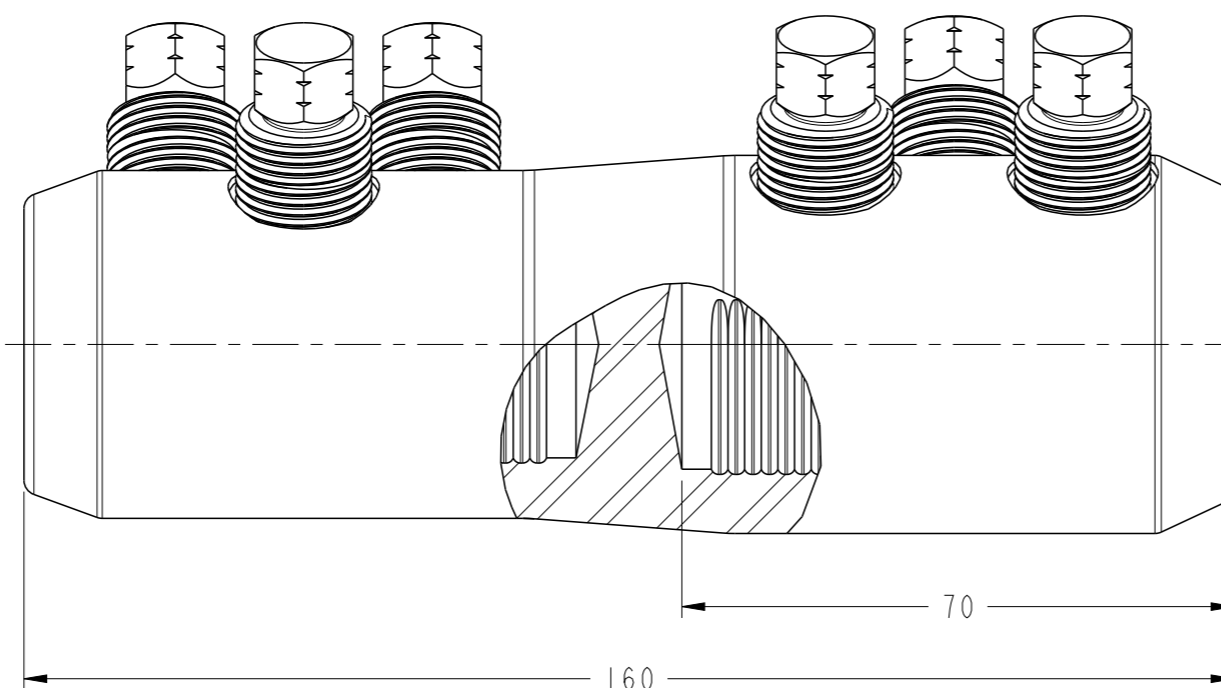
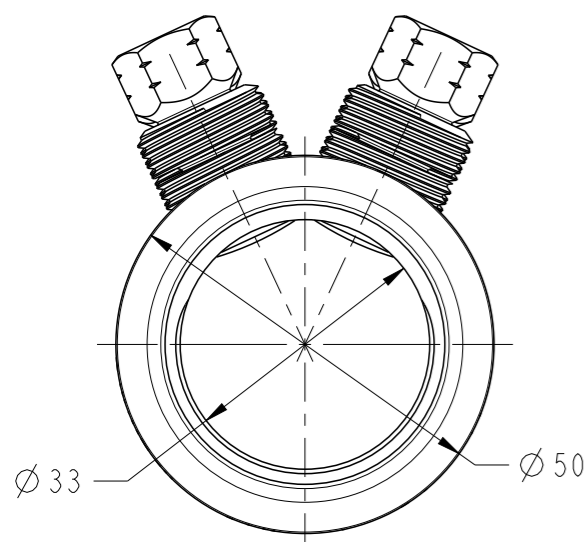
© COPYRIGHT 20 BY -

ALL RIGHTS RESERVED.
TOUS DROITS RESERVES

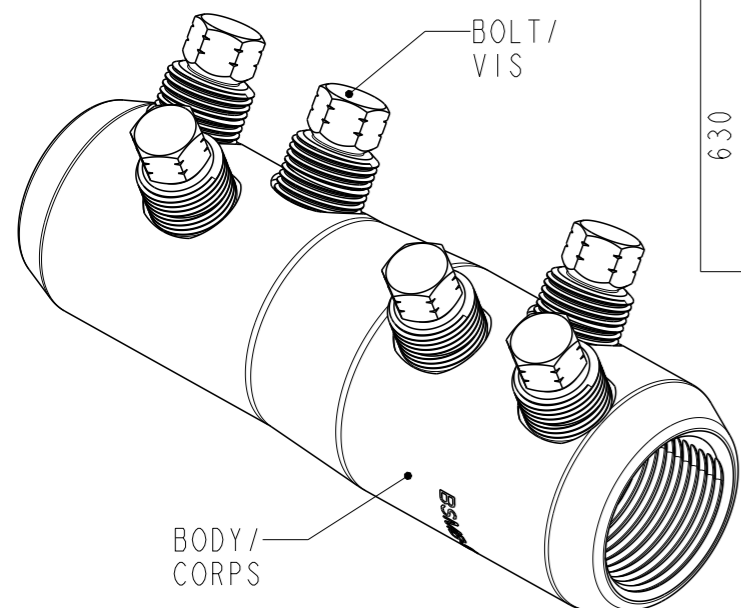
REVISIONS

P	LTR REV	DESCRIPTION MODIFICATIONS	DATE	DWN DESS.	APVD APP.
	A	CREATION	21JUN2010	BM	NA
	B	ADD CU FLEXIBLE CABLE CLASS 5	08APR2015	BM	NA

BSMB-500-630 MK2	2107373-1
DESCRIPTION	PART NUMBER



500 SIDE / SEITE	CONDUCTOR CROSS-SECTION /Section conducteur /Querschnittsbereich mm ²	AL				CU		
		ROUND STRANDED /Circ. câblé /RM	ROUND SOLID /Circ. massif /RE	SECTOR STRANDED /Sectoral câblé /SM	SECTOR SOLID /Sectoral massif /SE	ROUND STRANDED /Circ. câblé /RM	SECTOR STRANDED /Sectoral câblé /SM	ROUND FLEXIBLE /Circ. souple
	CONDUCTOR DIAMETER /Diamètre conducteur /Leiterdurchmesser mm	500	500			500		400 (Class 5)
		∅25.3-∅28.9	∅24-∅25.1			∅25.3-∅28.6		∅27-∅29
630 SIDE / SEITE	CONDUCTOR CROSS-SECTION /Section conducteur /Querschnittsbereich mm ²	630	630			630		500 (Class 5)
	CONDUCTOR DIAMETER /Diamètre conducteur /Leiterdurchmesser mm					∅28.7-∅32.5		∅31-∅32.5



ECHELLE 2:3

THIS DRAWING IS A CONTROLLED DOCUMENT.
CE PLAN EST UN DOCUMENT CONTROLE PAR TYCO ELECTRONICS CORPORATION.
IL EST SUSCEPTIBLE D'ETRE REVISE. POUR OBTENIR LA DERNIERE REVISION,
CONTACTER LE SERVICE TECHNIQUE DE TYCO ELECTRONICS SIMEL SAS,
21220 GEVREY-CHAMBERTIN, FRANCE

DIMENSIONS: mm	TOLERANCES UNLESS OTHERWISE SPECIFIED: TOLERANCES NON SPECIFIEES (SUIV NB DE DECIMALES): 0 PLC/DEC: ±0 1 PLC/DEC: ±0 2 PLC/DEC: ±0 3 PLC/DEC: ±0 4 PLC/DEC: ±0 ANGLES ±
-------------------	--

MATERIAL MATIERE AL ALLOY	FINISH FINITION TINNED
------------------------------	---------------------------

DWN/DESSINE B. MILLOT	21JUN2010
CHK/VERIFIE S. POLLAKOWSKI	
APVD/APPROUVE N. ALMEIDA	
PRODUCT SPEC SPEC. PRODUIT	
APPLICATION SPEC SPEC. APPLICATION	
WEIGHT MASSE APPROX.	525 g

TE Connectivity		NAME TITRE BSMB-500-630 MK2	
		SIZE FORMAT A3	CAGE CODE -
DRAWING NO No PLAN C-2107373		RESTRICTED TO RESERVE A -	

CUSTOMER DRAWING /PLAN CLIENT	UNIQUEMENT POUR REFERENCE	SCALE ECHELLE 1:1	SHEET FEUILLE	OF DE	REV B
-------------------------------	---------------------------	-------------------	---------------	-------	-------