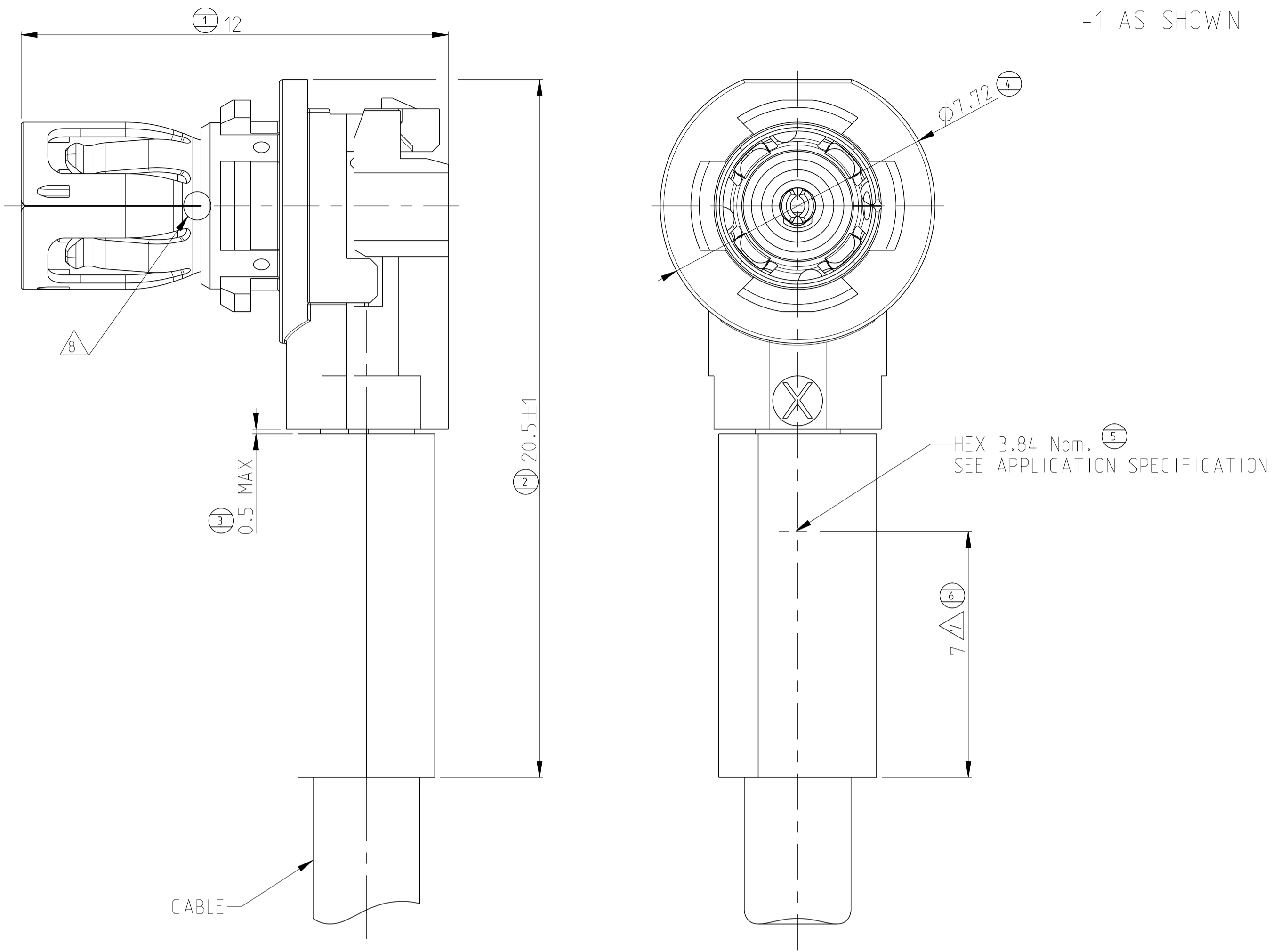
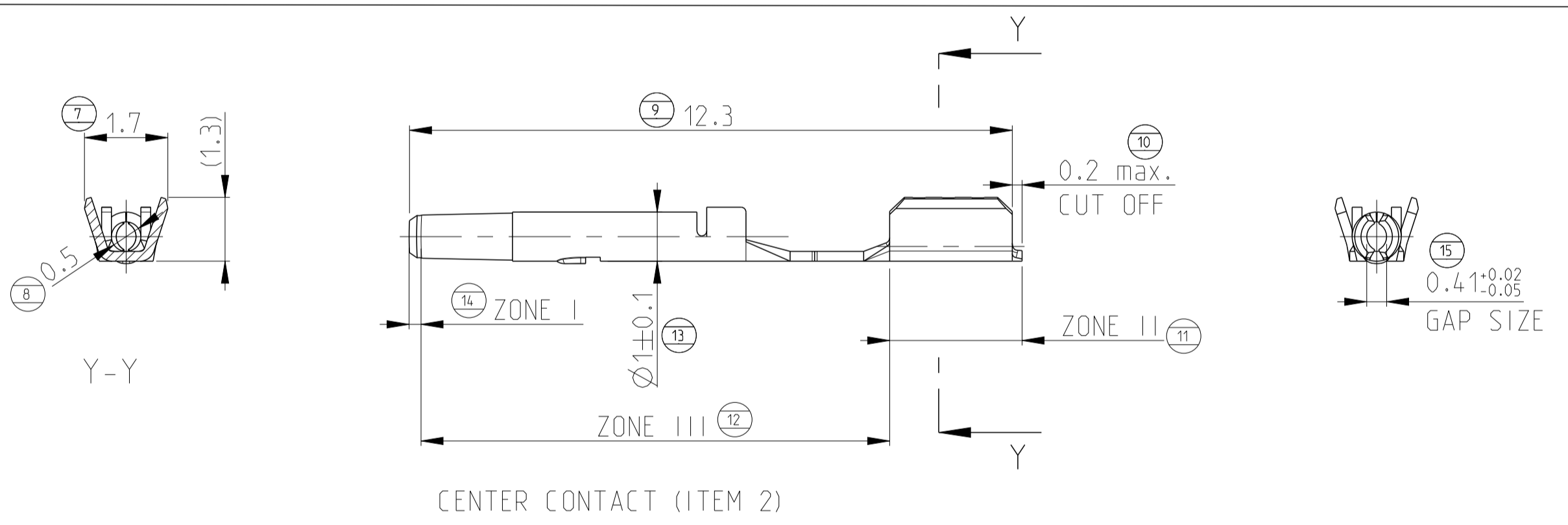


-1 AS SHOWN



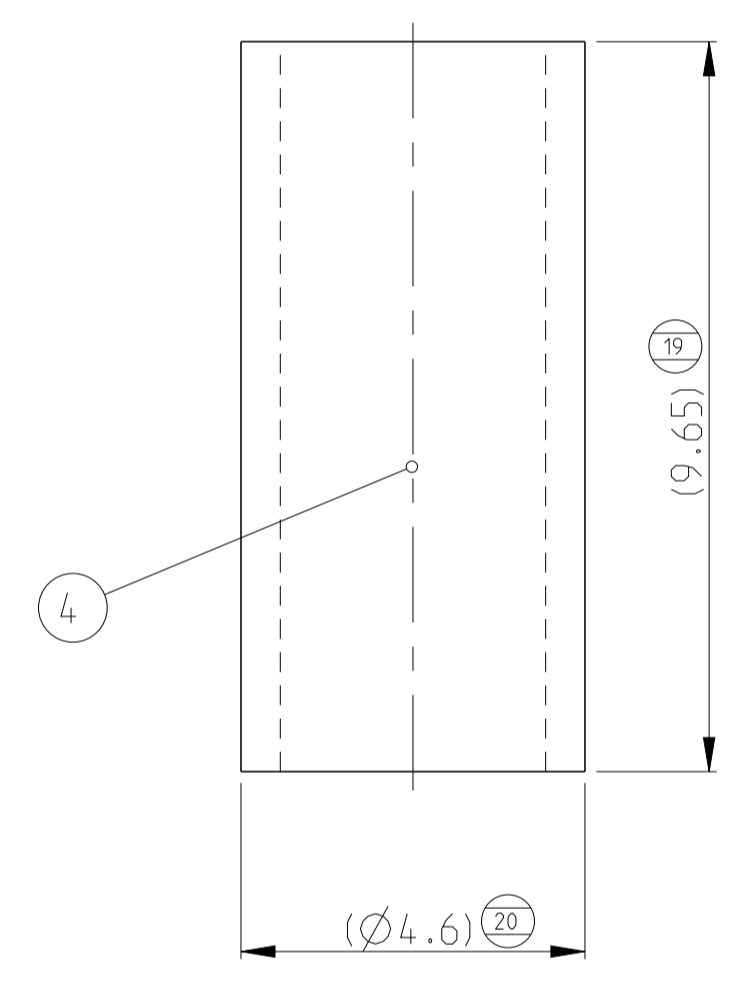
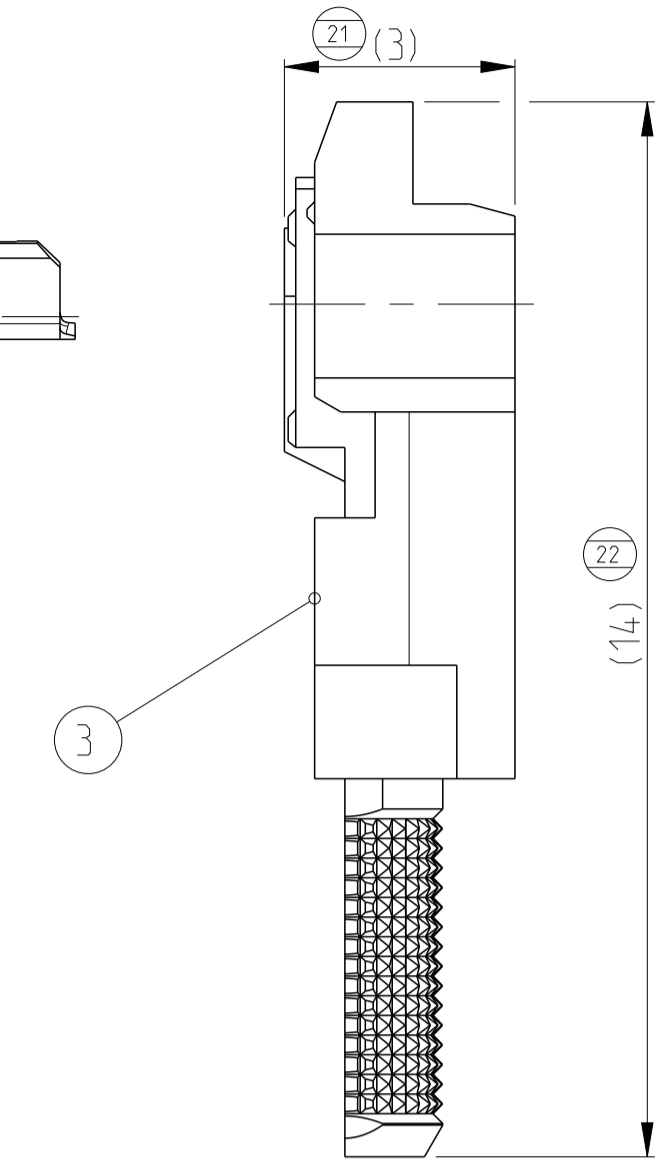
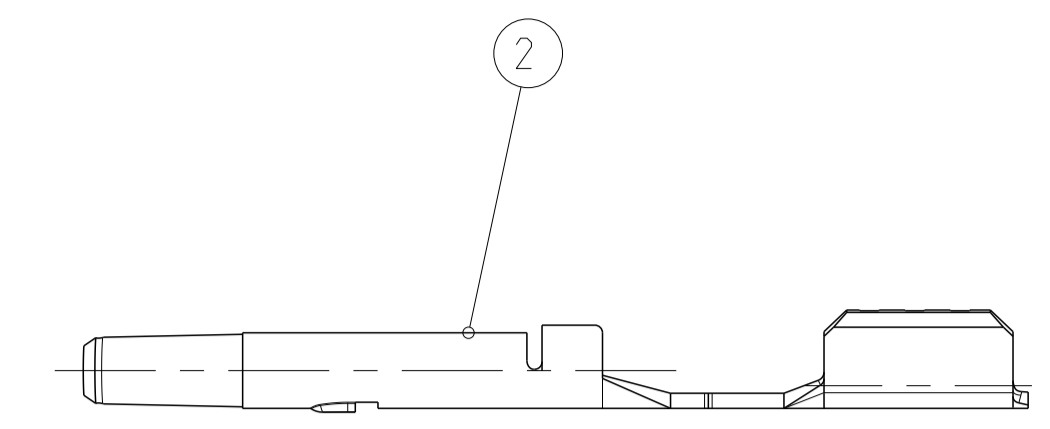
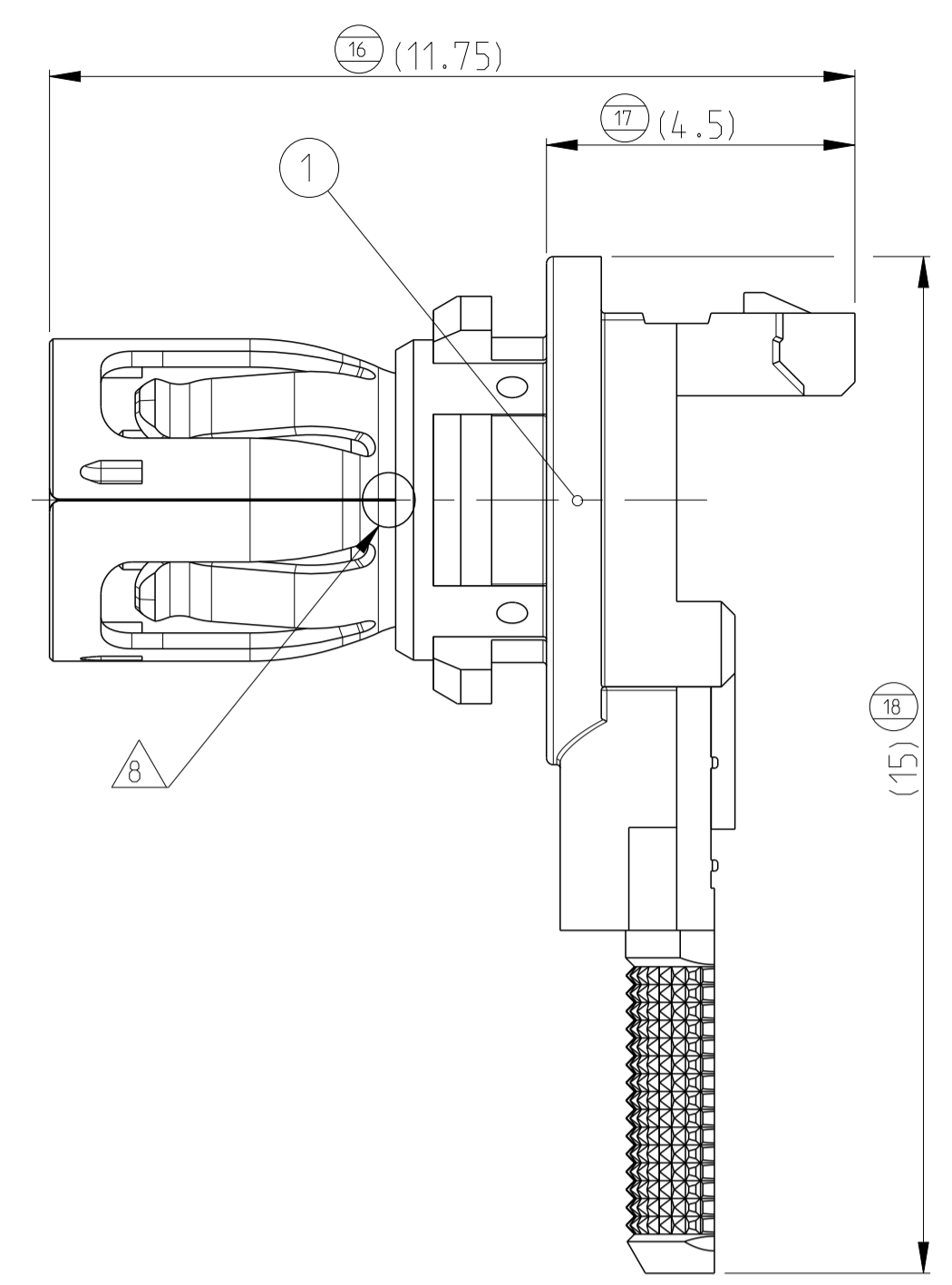
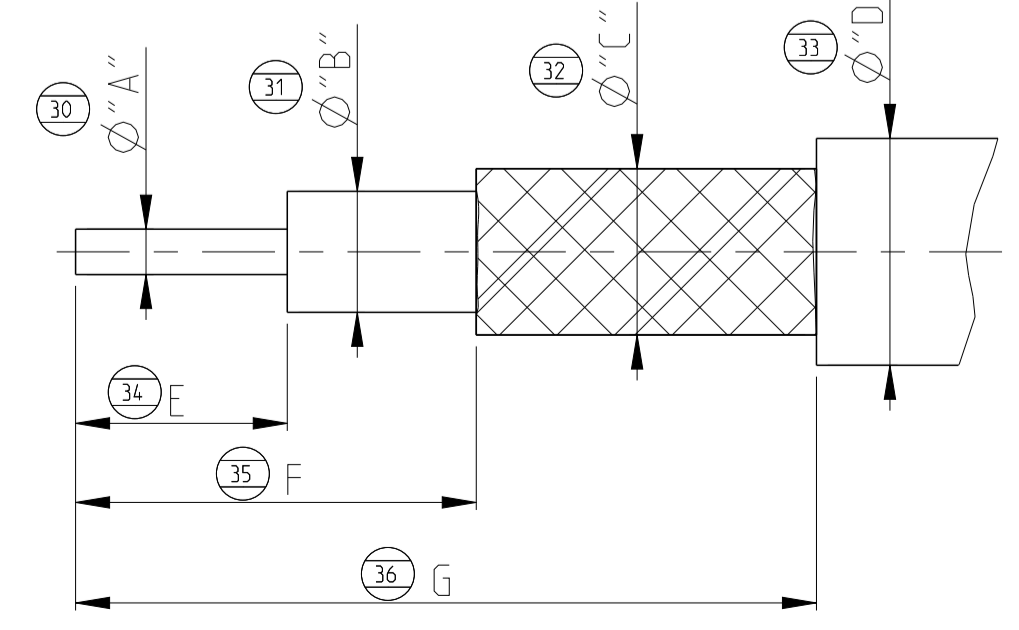
ASSEMBLED VIEWS



CENTER CONTACT (ITEM 2)

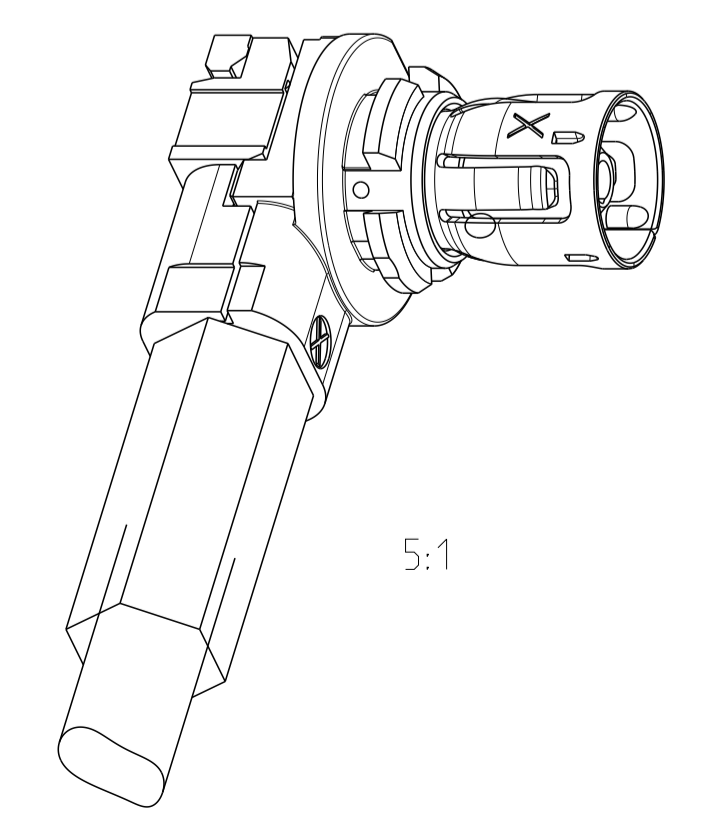
CABLE PARAMETERS				
CABLE TYPE	Ø "A"	Ø "B"	Ø "C"	Ø "D"
1.5DS (TE-P/N 1832844-1)	Ø0.6 nom.	Ø1.6 nom.	Ø2.2 nom.	Ø3.0 nom.
1.5DS (TE-P/N 2300568-1)				

RECOMMENDED STRIP DIMENSIONS		
CABLE TYPE	PN 2112466-1	PN 2112466-2
DIM. "E"	2.8 ^{+0.2} _{-0.3}	
DIM. "F"	5.3 ^{+0.2} _{-0.3}	4.0 ^{+0.2} _{-0.3}
DIM. "G"	9.8 ^{+0.2} _{-0.3}	



- A6
- 50 1 2-4 µm Ni
- 51 2 2-4 µm Sn OVER 1.27 µm MIN. Ni OVER 5.08 µm MIN. Cu
- 52 3 ZONE I: 0.8 µm MIN. Au OVER 1.27 µm MIN. Ni
ZONE II: 2-4 µm Sn OVER 0.1 µm MIN. Ni
ZONE III: 0.1µm MIN. Ni
- 53 4 PRETINNED (1-3 µm Sn)
- 54 5. THE CONNECTOR MUST FULFILL THE DIMENSIONAL REQUIREMENTS OF DIN 72594-1, RELEASED MARCH 2006. THE MECHANICAL AND ELECTRICAL REQUIREMENTS ACC. TO COMMERCIAL STANDARD IN SPECIFICATION 108-94089
- 55 6 COMPONENTS MUST BE PURCHASED SEPARATELY.
- 56 7 CRIMP TO BE MEASURED AT THIS POINT SEE APPLICATION SPECIFICATION.
- 57 8 WELDING POINT
- 58 9. CHARACTERS ON THE PARTS STAND FOR THE REVISION OF THAT COMPONENT. NOT OF THE SUBASSEMBLY OR ASSEMBLY.

CONTACT KIT PART NUMBER					
PART NO. TO BE ORDERED	ITEM NO	DESCRIPTION	MATERIAL	PLATING	
1-0413889-4	4	FERRULE	SfCu		
1719658-1	3	REAR SHELL SUBASSY	3a. PBT 3b. Zn-Leg. Zn-ALLOY		
2112465-1	2	CENTER CONTACT	CuNiSi		
1719656-1	1	FRONT SHELL SUBASSY	1a. CuNiSi 1b. PEHD 1c. Zn-Leg. Zn-ALLOY		



THIS DRAWING IS A CONTROLLED DOCUMENT.

DIMENSIONS: mm	TOLERANCES UNLESS OTHERWISE SPECIFIED:	0 PLC ±0.5	1 PLC ±0.2	2 PLC ±0.1	3 PLC ±	4 PLC ±	ANGLES ±°	FINISH SEE TABLE siehe Tabelle
----------------	--	------------	------------	------------	---------	---------	-----------	--------------------------------

MATERIAL: SEE TABLE
 WEIGHT: -
 CUSTOMER DRAWING

OWN: V. Cech 10NOV2009
 CHK: T. Konecny 12NOV2009
 APVD: T. Konecny 12NOV2009

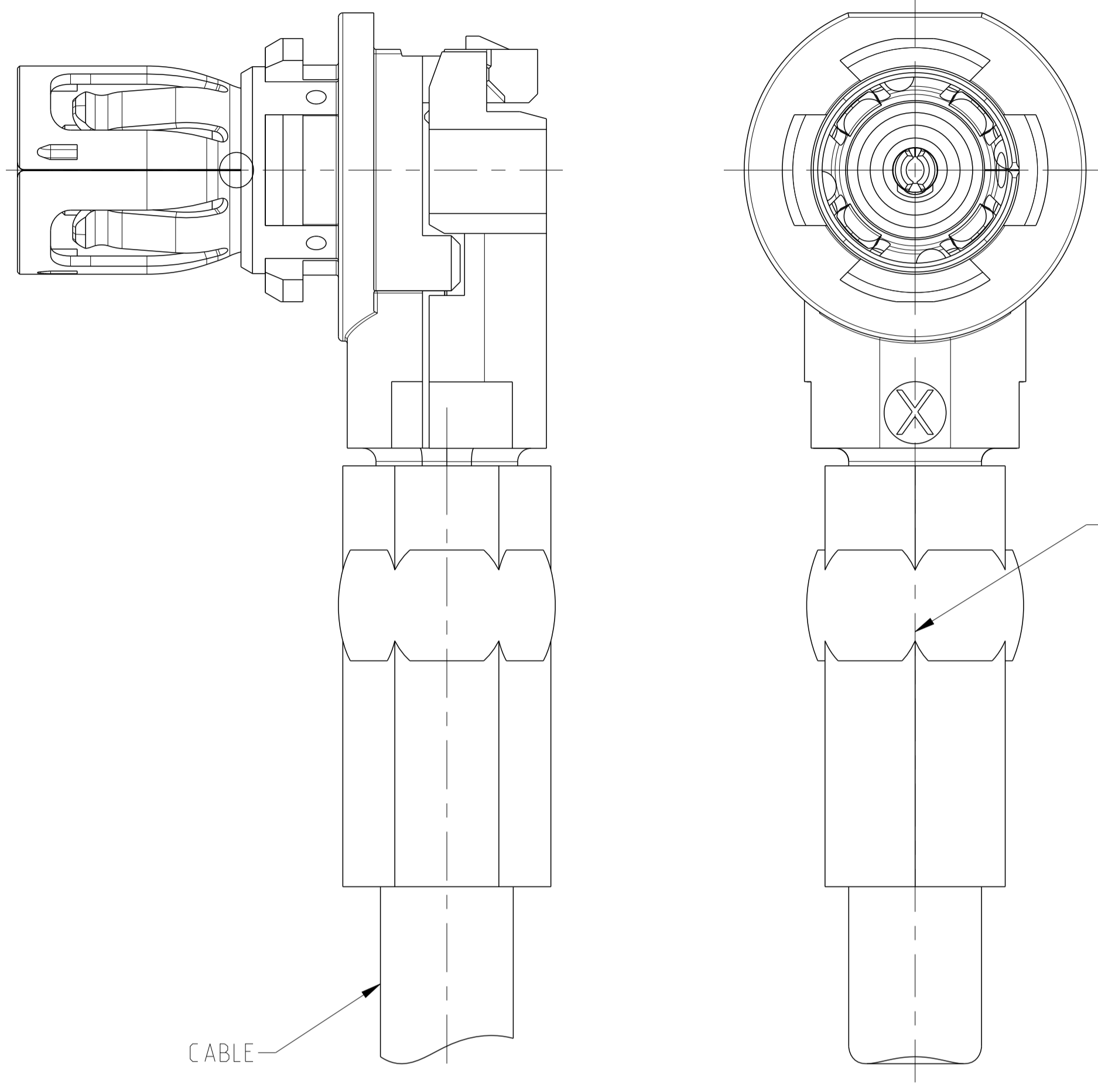
NAME: HF FAKRA 90 DEG. TURNABLE VERSION
 Contact Kit, Plug, Unassembled
 1.5DS CABLE

SIZE: A1
 CAGE CODE: 00779
 DRAWING NO: 2112466
 SCALE: 10:1
 SHEET: 1 OF 2
 REV: A6

REVISIONS					
P	LTH	DESCRIPTION	DATE	OWN	APVD
A3		ECR-11-025066	12DEC2011	SR	VC
A4		ECR-16-003157	01MAR2016	VH	NR
A5		ECR-16-010016	12JUL2016	JB,JH	NR
A6		ECR-19-001180	23JAN2019	JP	NR

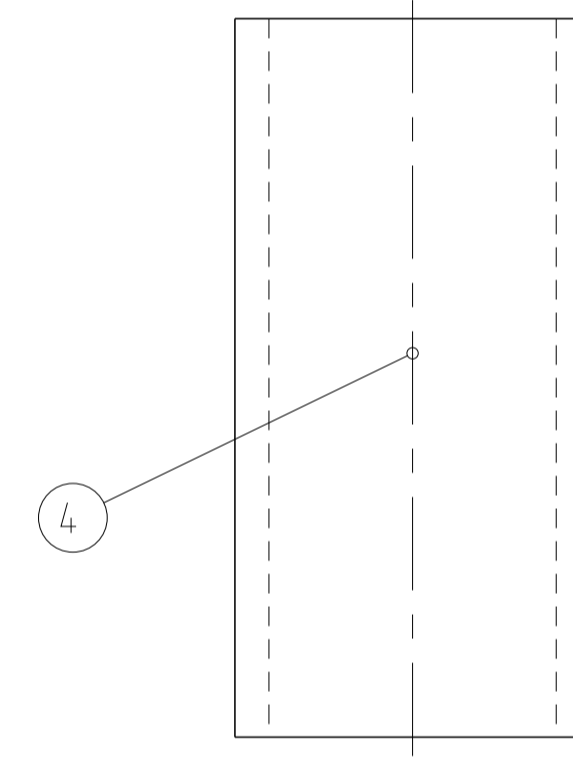
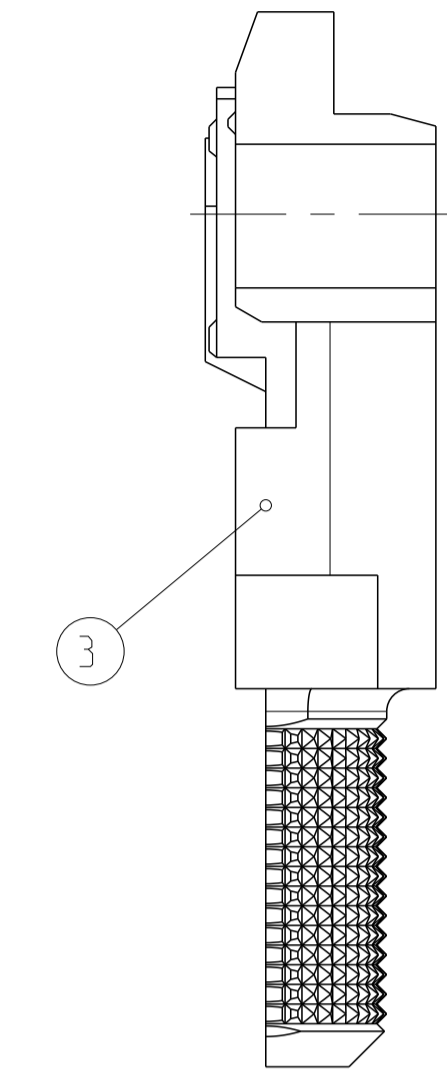
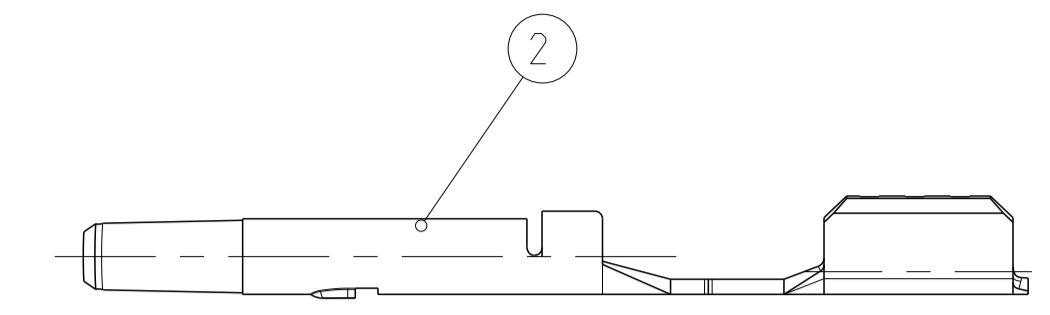
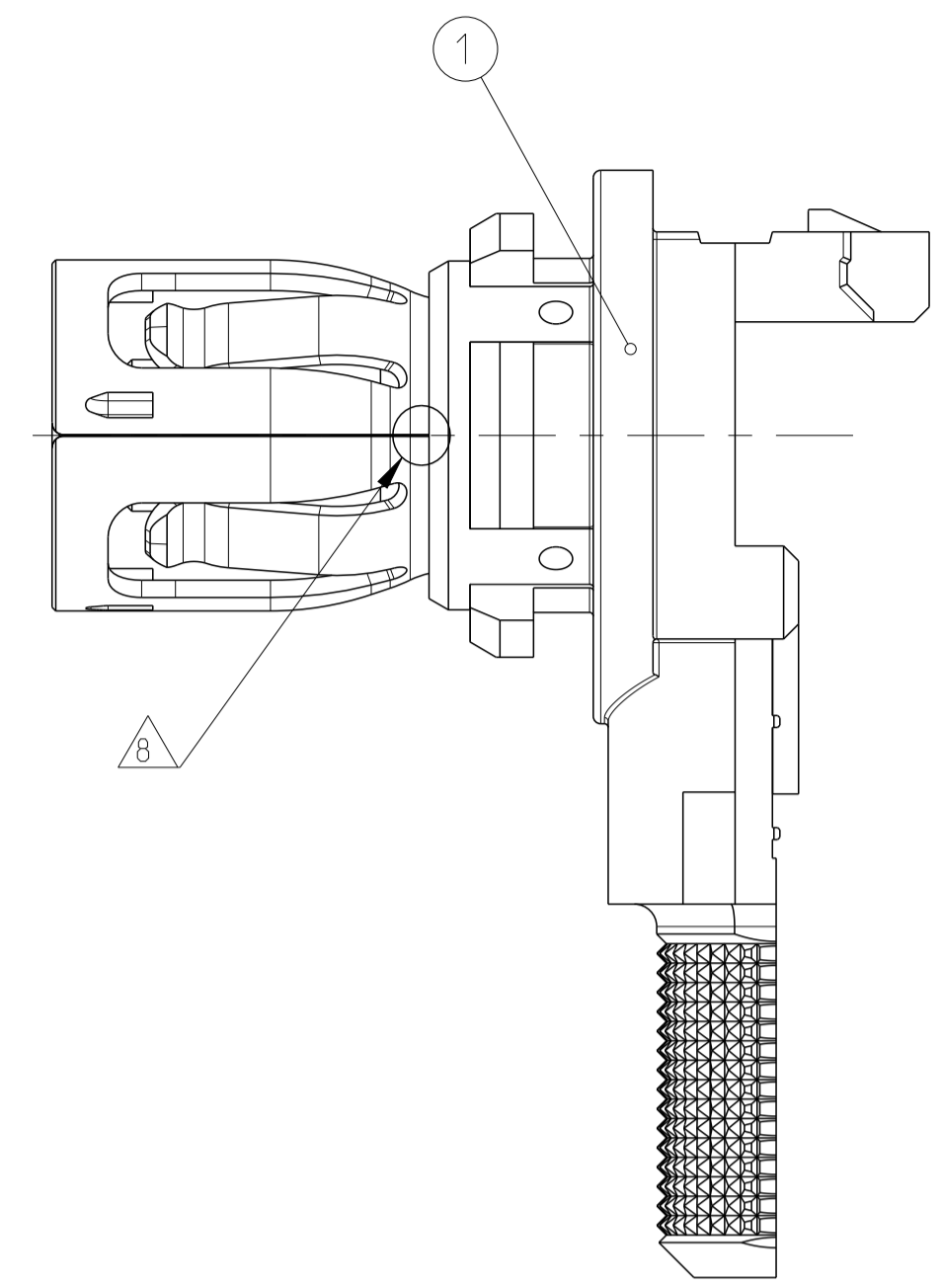
REVISIONS					
P.	LTN.	DESCRIPTION	DATE	DMN.	APVD.
-	-	SEE SHEET 1	-	-	-

-2 AS SHOWN

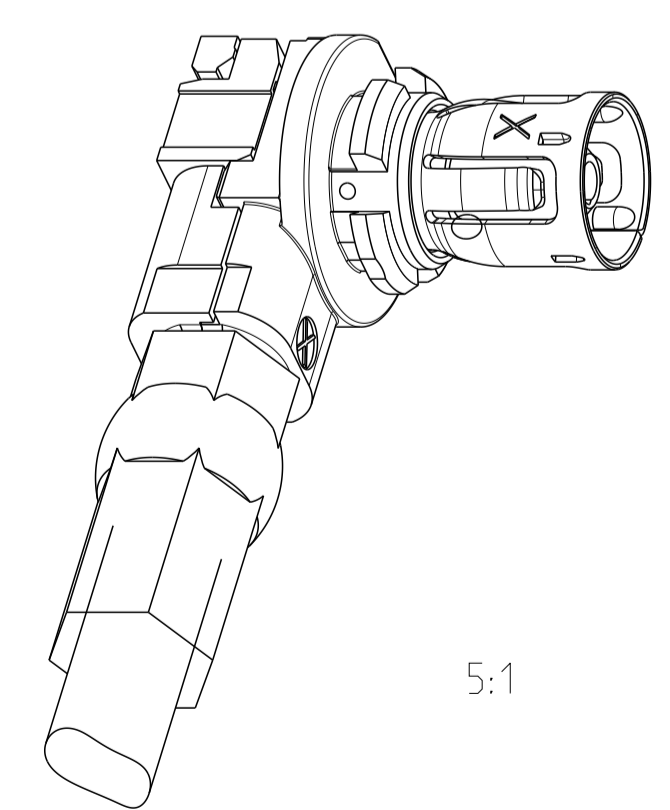


ASSEMBLED VIEWS
 (PLEASE REFER -1 VARIANT FOR NOTES AND DIMENSIONS)

HEX 4.1 Nom. 81 A6
 SEE APPLICATION SPECIFICATION



(PLEASE REFER 2112466-1 FOR NOTES AND DIMENSIONS)



5:1

A6

CONTACT KIT PART NUMBER	PART NO. TO BE ORDERED	ITEM NO	DESCRIPTION	MATERIAL	PLATING
2112466-2	1488167-1	4	FERRULE	SfCu	1
	1719658-2	3	REAR SHELL SUBASSY	3a. PBT 3b. Zn-Leg. Zn-ALLOY	2
	2112465-1	2	CENTER CONTACT	CuNiSi	3
	1719656-2	1	FRONT SHELL SUBASSY	1a. CuNiSi 1b. PEHD 1c. Zn-Leg. Zn-ALLOY	4 2

THIS DRAWING IS A CONTROLLED DOCUMENT.		DMN: V. Cech 10NOV2009	STE TE Connectivity
DIMENSIONS: mm		CHK: T. Konecny 12NOV2009	
TOLERANCES UNLESS OTHERWISE SPECIFIED:		APVD: T. Konecny 12NOV2009	NAME: HF FAKRA 90 DEG. TURNABLE VERSION Contact Kit, Plug, Unassembled 1.5DS CABLE
0 PLC ±0.5 1 PLC ±0.2 2 PLC ±0.1 3 PLC ±0.1 4 PLC ±0.1		PRODUCT SPEC: 108-94.089	
ANGLES: ±0.1°		APPLICATION SPEC: 114-18623	RESTRICTED TO: A1
MATERIAL: SEE TABLE siehe Tabelle		FINISH: SEE TABLE siehe Tabelle	WEIGHT: -
CUSTOMER DRAWING		SCALE: 10:1	SHEET: 2 OF 2