

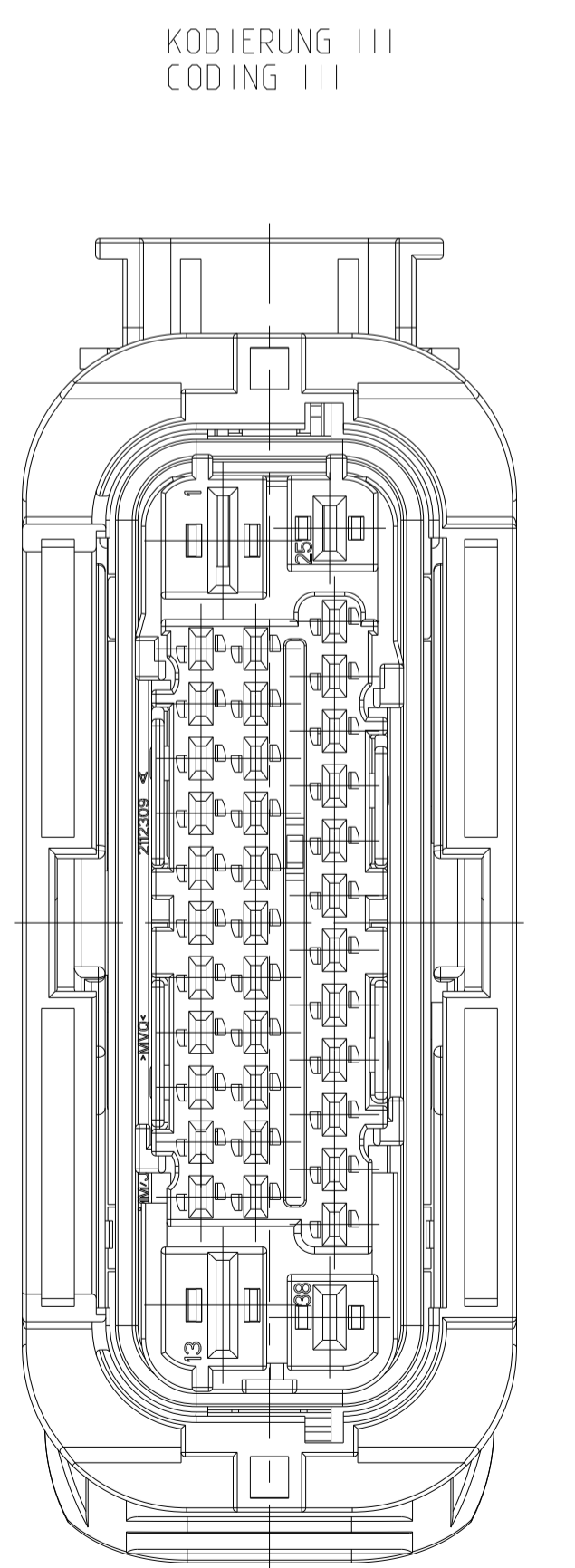
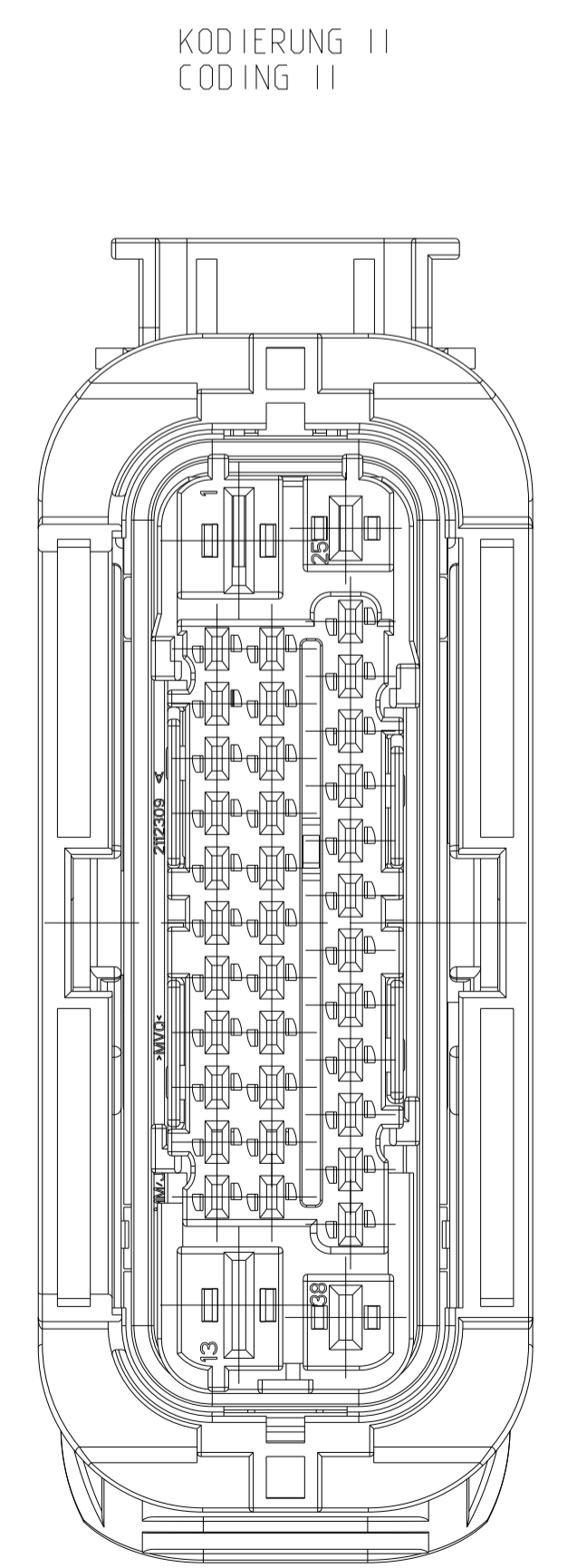
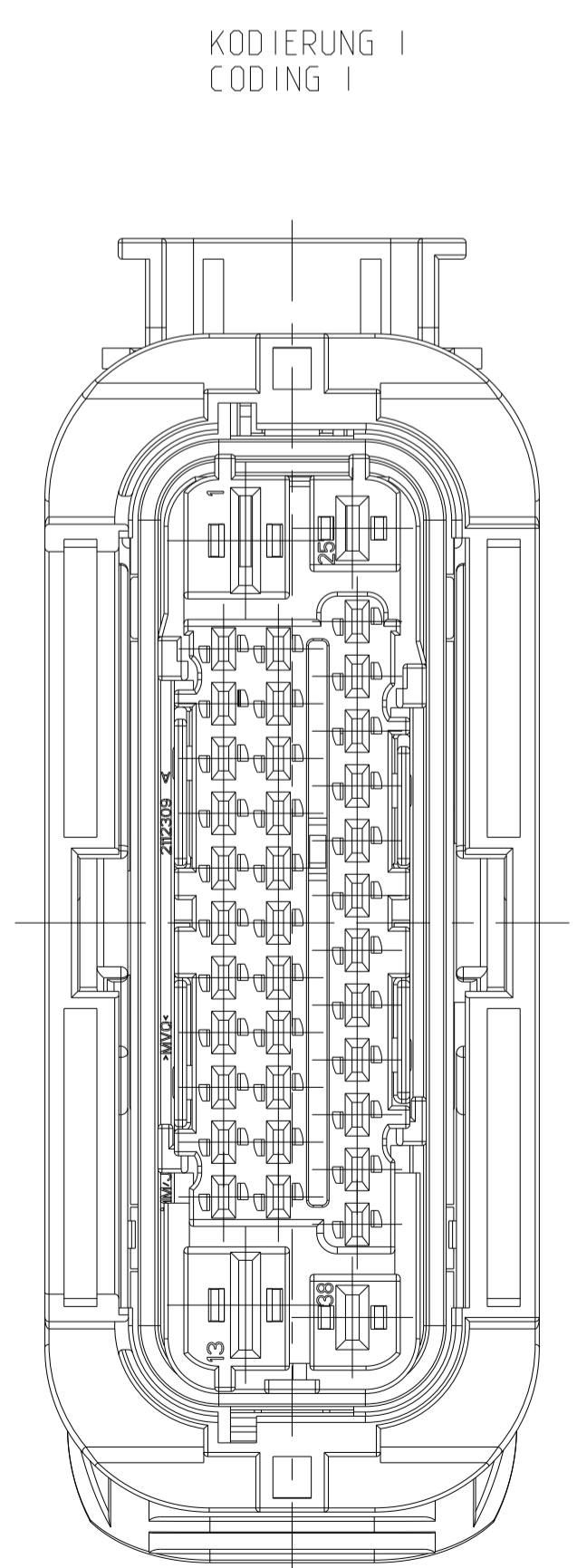
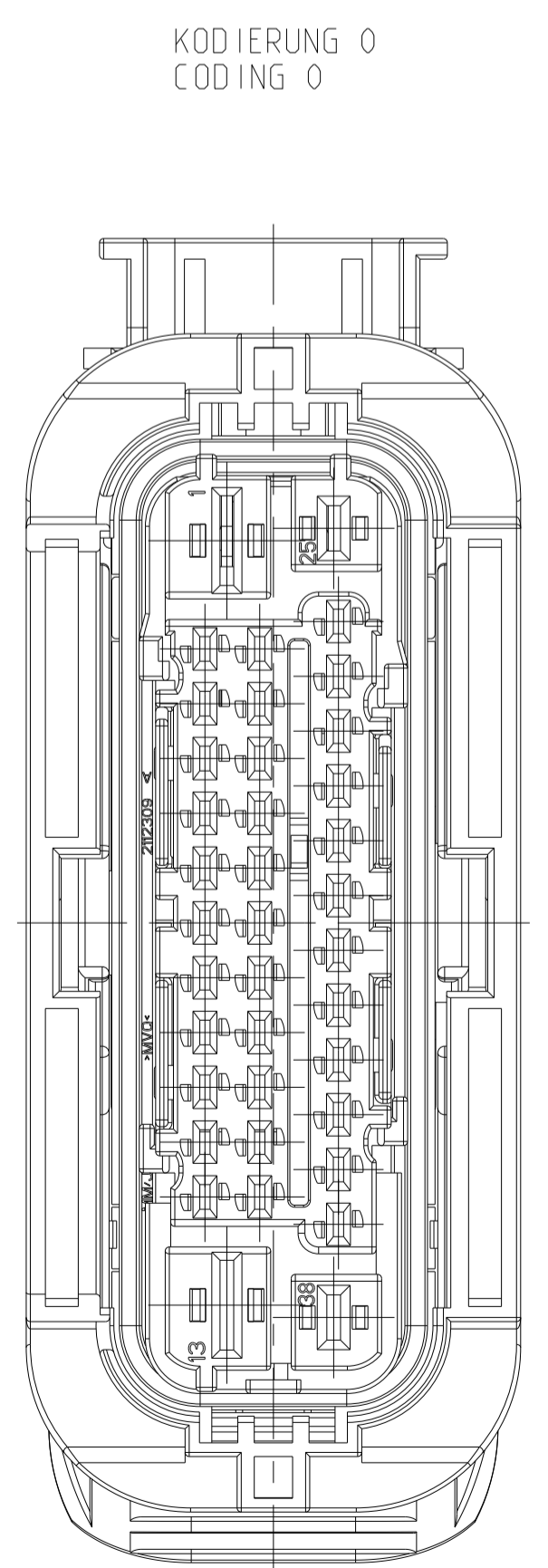
- NOTES
- 1 CONDITION AS SUPPLIED: IN PRE-LOCKED POSITION
 - 2 SEPARATELY PACKAGED
 - 3 ARROW TO THE RIGHT TAKE CARE FOR LEVER POSITION
 - 4 ARROW TO THE LEFT TAKE CARE FOR LEVER POSITION
 - 5 SUITABLE TERMINAL INFORMATION
 - 6 ALLOW WARPAGE ±0.5MM
- BEMERKUNGEN
- 1 LIEFERZUSTAND: IN VORRSTELLUNG
 - 2 GETRENNT VERPACKT
 - 3 PFEILE NACH RECHTS AUSGERICHTET HEBELAUSTRICHTUNG BEACHTEN
 - 4 PFEILE NACH LINKS AUSGERICHTET HEBELAUSTRICHTUNG BEACHTEN
 - 5 GEEIGNET TERMINAL INFORMATIONEN
 - 6 ZULAESSIGER VERZUG ±0.5MM

LOC	DIST	REV	DATE	BY	APPV
A1	-	B5	5-2112502-7 HOLE CHANGED	25NOV2015	T.D. R.W.
		B6	ADD NOTES	18MAY2016	T.D. R.W.
		B7	COLOUR CORRECTED	19APR2018	A.W. R.W.
		B8	VARIANTS ADDED / CANCELLED	08APR2022	AW RW

MM WIRE DIA LETTER-Ø	MM ² WIRE SIZE QUERSCHNITT	TYP	1.5 CONTACT/WIRE SEAL KONTAKT/LEITERDICHTG	2.8 CONTACT/WIRE SEAL KONTAKT/LEITERDICHTG	6.3/4.8 CONTACT/WIRE SEAL KONTAKT/LEITERDICHTG	MATING PART GEGENSTUECK
1.2-1.4	0.35	FLR	1241378/964971-1 RED	1241392/963294-1 BLUE	1241410 / F11605 YELLOW: FROM VERITAS *	
1.4-1.6	0.5	FLR	1241380/964971-1 RED	1241394/963294-1 BLUE	1241412 / F11605 YELLOW: FROM VERITAS *	
1.7-1.9	0.75	FLR	1241380/963530-1 GREY	1241394/963294-1 BLUE	1241412 / F11605 YELLOW: FROM VERITAS *	
1.9-2.1	1.0	FLR	1241380/964972-1 YELLOW	1241394/963294-1 BLUE	1241412 / F11605 YELLOW: FROM VERITAS *	
2.2-2.4	1.5	FLR		1241396/963293-1 BROWN	1241414/0-1394511-1 WHITE	
2.7-3.0	2.5	FLR		1241396/963292-1 YELLOW	1241414/0-1823111-1 BROWN	
3.4-3.7	4.0	FLR			1241416/0-1394512-1 BLUE	
PLUG BLINDSTOPFEN			/ 963531-1 WHITE	/ F11544 GREEN: FROM VERITAS *	/ 0-0967652-1 TRANSP.	

* FOR INFORMATION ONLY / NUR ZUR INFORMATION

LOC	REV	DATE	TE ASSY NO.	REV	TE ORDER NO.	REV	MATERIAL	COLOUR	DESCRIPTION	QTY	ITEM NO.
BB	I	14-24	1-2112502-5	B	0-2112501-1	B	PBT RED/RAL 3000 CPA, 38 POSN			1	7
							PBT-GF20 BLACK/RAL 9011 COVER, 90, 38 POSN			1	6
							PBT-GF20 GREY/RAL 7001 LEVER, 38 POSN			1	5
							PBT-GF20 BLACK/RAL 9011 38POS. MIXED, REC HSG			1	4
							PBT-GF20 VIOLET/RAL 4006 RETAINER, 38 POSN			1	3
							MVQ GREEN/RAL 6010 RADIAL SEAL, 38 POSN			1	2
	III	-	1-2112502-4	B	0-2112501-1	A	PBT-GF20 BLACK/RAL 9011 38POS. MIXED, REC HSG, COVER, SEALED			1	1
							PBT RED/RAL 3000 CPA, 38 POSN			1	7
							PBT-GF20 BLACK/RAL 9011 COVER, 90, 38 POSN			1	6
							PBT-GF20 GREY/RAL 7001 LEVER, 38 POSN			1	5
							PBT-GF20 BROWN/RAL 8003 38POS. MIXED, REC HSG			1	4
							PBT-GF20 VIOLET/RAL 4006 RETAINER, 38 POSN			1	3
BB	0	9-12 21-24 34-37 2 3 5 30 32	0-2112502-7	B	0-2112501-1	PBT RED/RAL 3000 CPA, 38 POSN			1	7	
						PBT-GF20 BLACK/RAL 9011 COVER, 90, 38 POSN			1	6	
						PBT-GF20 GREY/RAL 7001 LEVER, 38 POSN			1	5	
						PBT-GF20 VIOLET/RAL 4006 RETAINER, 38 POSN			1	3	
						MVQ GREEN/RAL 6010 RADIAL SEAL, 38 POSN			1	2	
						PBT-GF20 BLACK/RAL 9011 38POS. MIXED, REC HSG, COVER, SEALED			1	1	
	I	9-12 21-24 34-37	0-2112502-6	B	0-2112501-1	A	PBT RED/RAL 3000 CPA, 38 POSN			1	7
							PBT-GF20 BLACK/RAL 9011 COVER, 90, 38 POSN			1	6
							PBT-GF20 GREY/RAL 7001 LEVER, 38 POSN			1	5
							PBT-GF20 BLACK/RAL 9011 38POS. MIXED, REC HSG			1	4
							PBT-GF20 VIOLET/RAL 4006 RETAINER, 38 POSN			1	3
							MVQ GREEN/RAL 6010 RADIAL SEAL, 38 POSN			1	2
BB	I	14-24	0-2112502-5	B	0-2112501-1	PBT RED/RAL 3000 CPA, 38 POSN			1	7	
						PBT-GF20 BLACK/RAL 9011 COVER, 90, 38 POSN			1	6	
						PBT-GF20 GREY/RAL 7001 LEVER, 38 POSN			1	5	
						PBT-GF20 BLACK/RAL 9011 38POS. MIXED, REC HSG			1	4	
						PBT-GF20 VIOLET/RAL 4006 RETAINER, 38 POSN			1	3	
						MVQ GREEN/RAL 6010 RADIAL SEAL, 38 POSN			1	2	
	III	-	0-2112502-4	B	0-2112501-1	A	PBT-GF20 BLACK/RAL 9011 38POS. MIXED, REC HSG, COVER, SEALED			1	1
							PBT RED/RAL 3000 CPA, 38 POSN			1	7
							PBT-GF20 BLACK/RAL 9011 COVER, 90, 38 POSN			1	6
							PBT-GF20 GREY/RAL 7001 LEVER, 38 POSN			1	5
							PBT-GF20 BROWN/RAL 8003 38POS. MIXED, REC HSG			1	4
							PBT-GF20 VIOLET/RAL 4006 RETAINER, 38 POSN			1	3
BB	I	8-12 17 21 23 24 29 32	0-2112502-2	B	0-2112501-1	PBT RED/RAL 3000 CPA, 38 POSN			1	7	
						PBT-GF20 BLACK/RAL 9011 COVER, 90, 38 POSN			1	6	
						PBT-GF20 GREY/RAL 7001 LEVER, 38 POSN			1	5	
						PBT-GF20 BLACK/RAL 9011 38POS. MIXED, REC HSG			1	4	
						PBT-GF20 VIOLET/RAL 4006 RETAINER, 38 POSN			1	3	
						MVQ GREEN/RAL 6010 RADIAL SEAL, 38 POSN			1	2	
	0	-	0-2112502-1	B	0-2112501-1	A	PBT RED/RAL 3000 CPA, 38 POSN			1	7
							PBT-GF20 BLACK/RAL 9011 COVER, 90, 38 POSN			1	6
							PBT-GF20 GREY/RAL 7001 LEVER, 38 POSN			1	5
							PBT-GF20 VIOLET/RAL 4006 RETAINER, 38 POSN			1	3
							MVQ GREEN/RAL 6010 RADIAL SEAL, 38 POSN			1	2
							PBT-GF20 BLACK/RAL 9011 38POS. MIXED, REC HSG, COVER, SEALED			1	1



THIS DRAWING IS A CONTROLLED DOCUMENT.
 DIESER ZEICHNUNGSDRUCKER IST EINE KONTROLLIERTE DOKUMENTATION.
 DIMENSIONS: DIMENSIONS: mm

DATE: 06NOV2009
 CHK: F.Thiel
 APPV: 06NOV2009

TE CONNECTIVITY

38POS. MIXED, REC HSG. ASSY. SEALED
 38POLIG. GEMISCHT, FL.KONT.GEH., KOMPLETT. DICHT

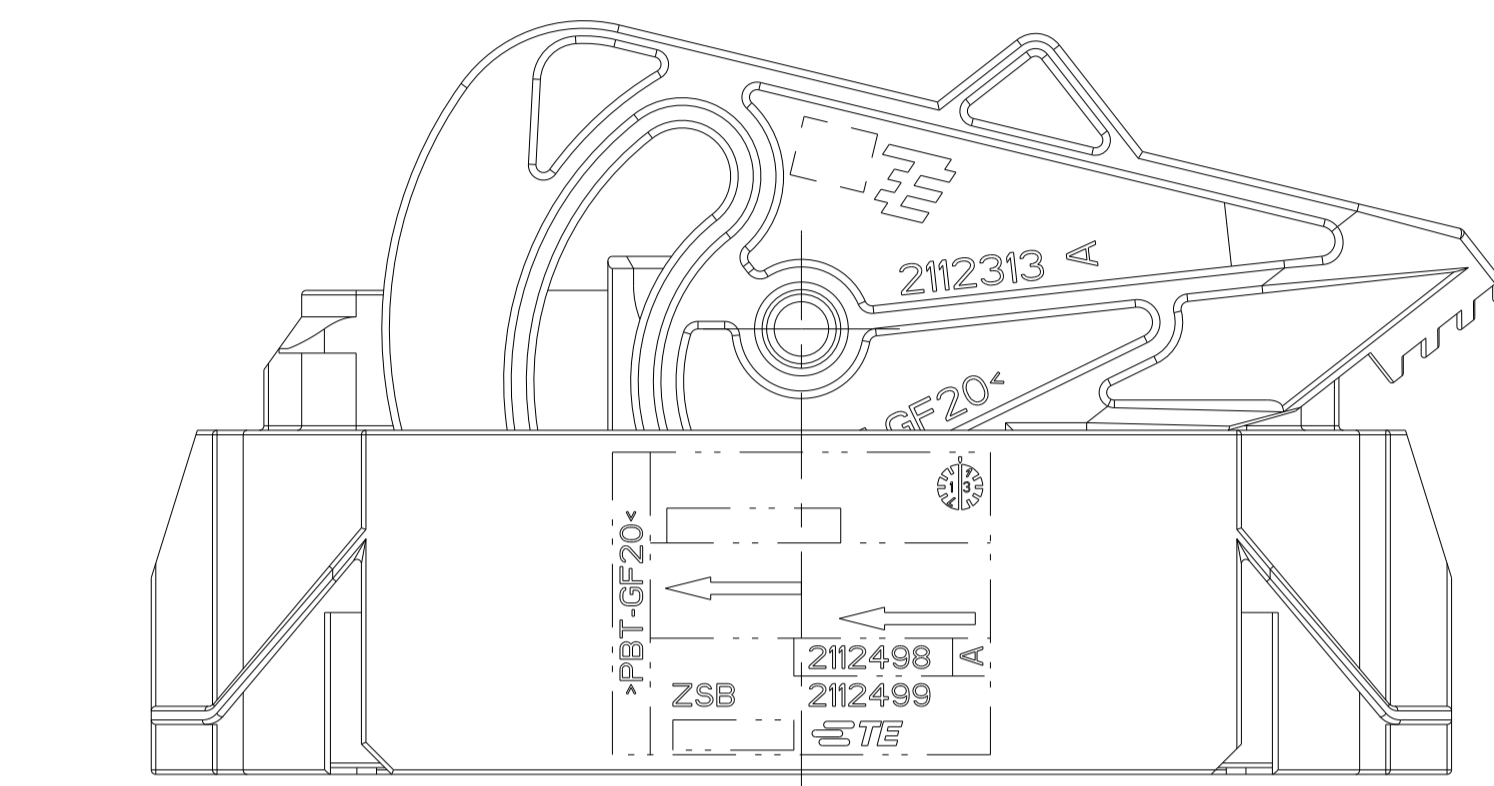
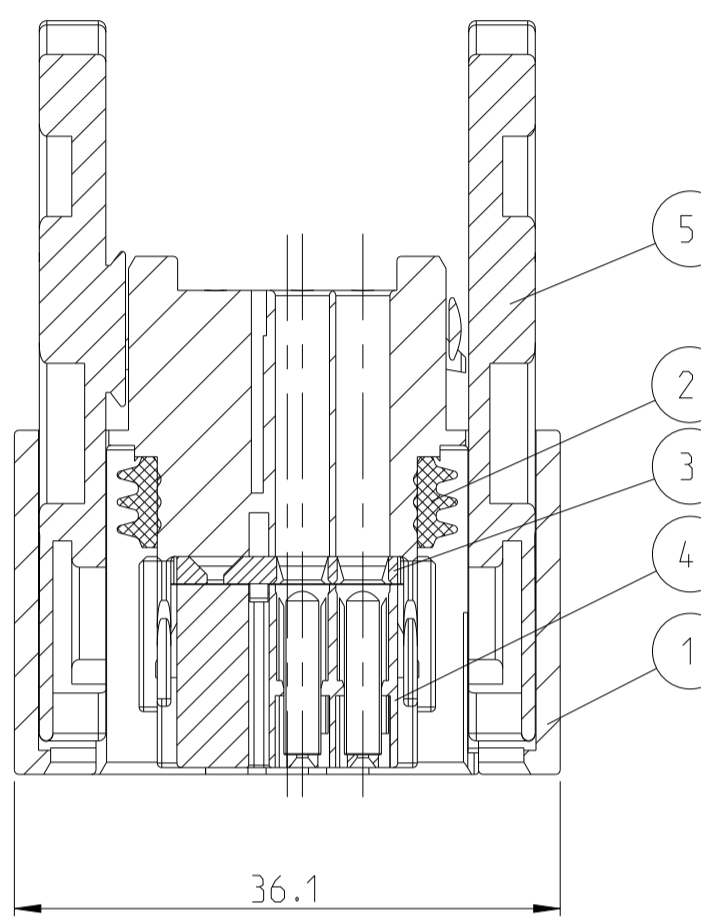
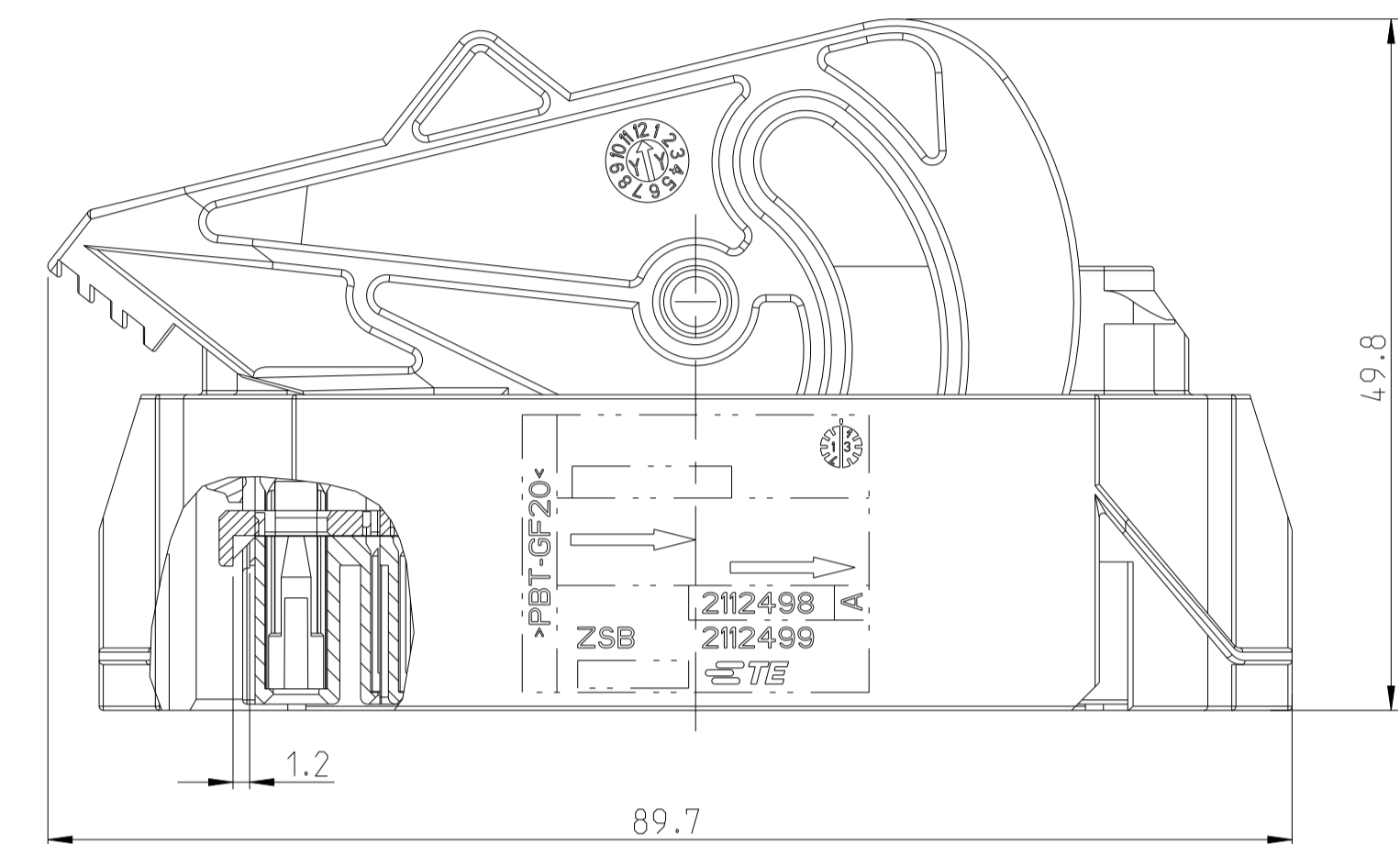
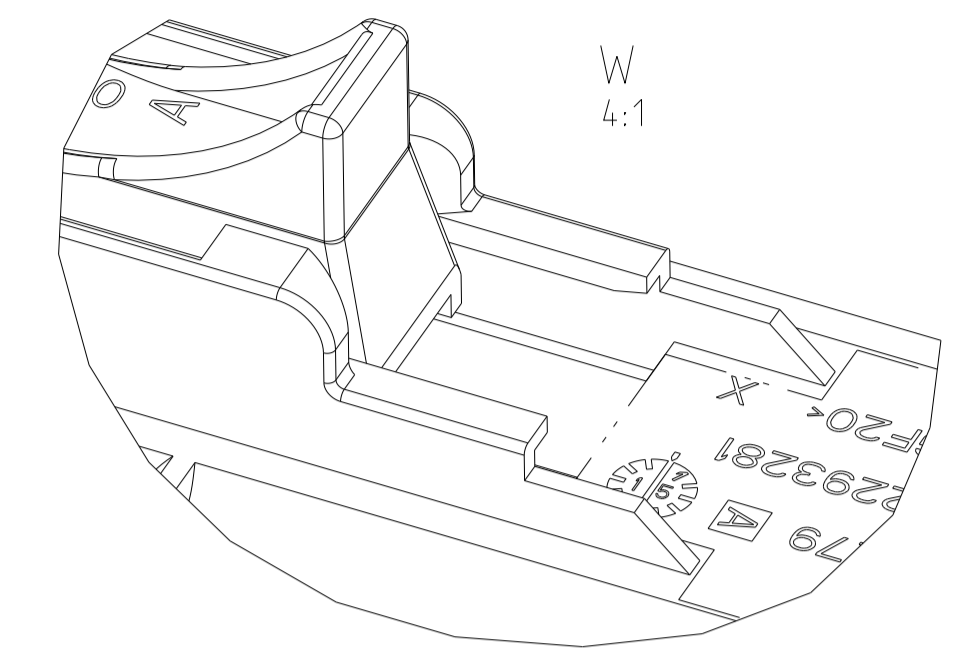
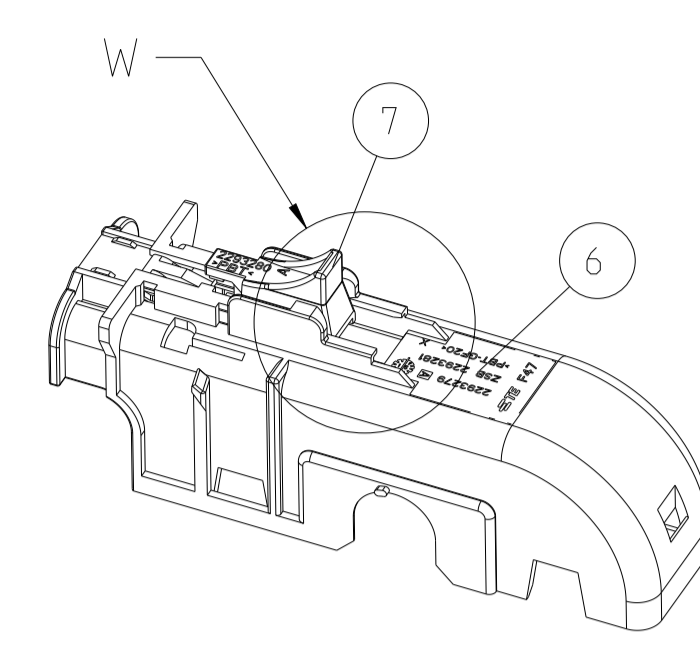
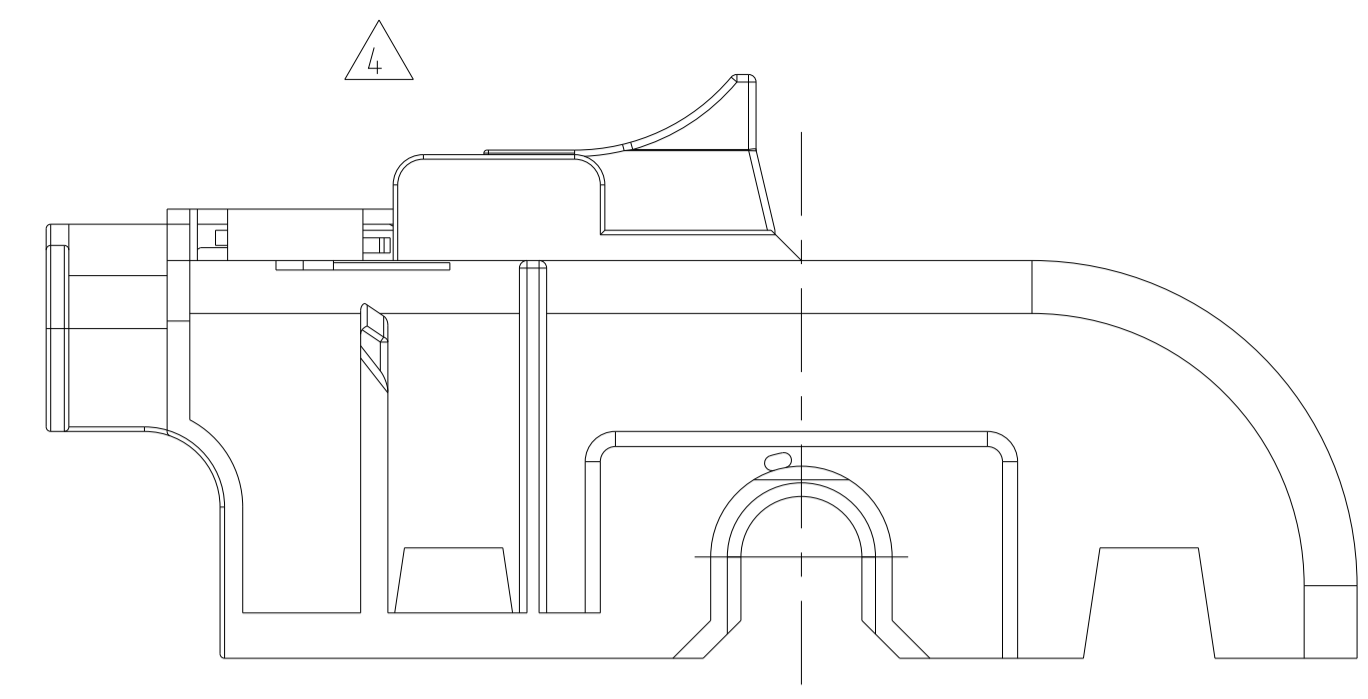
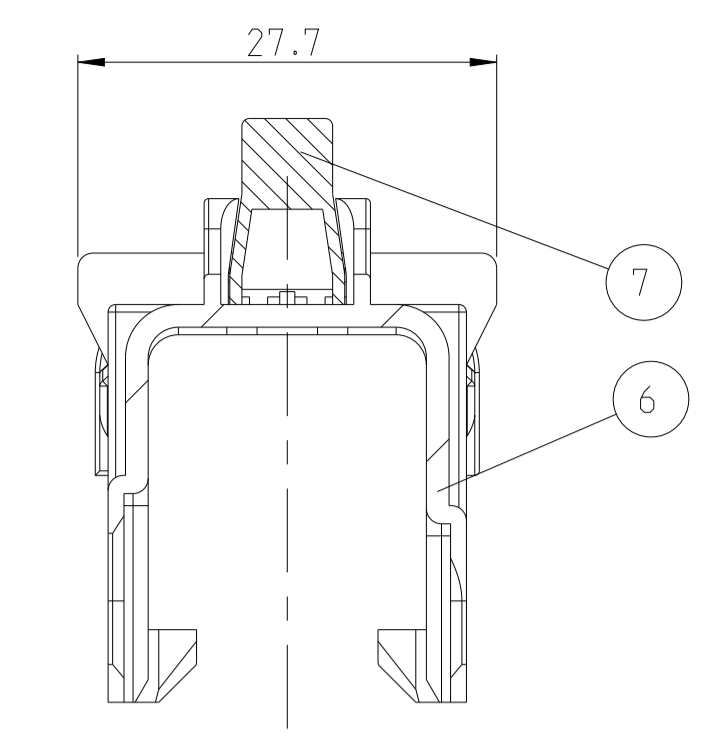
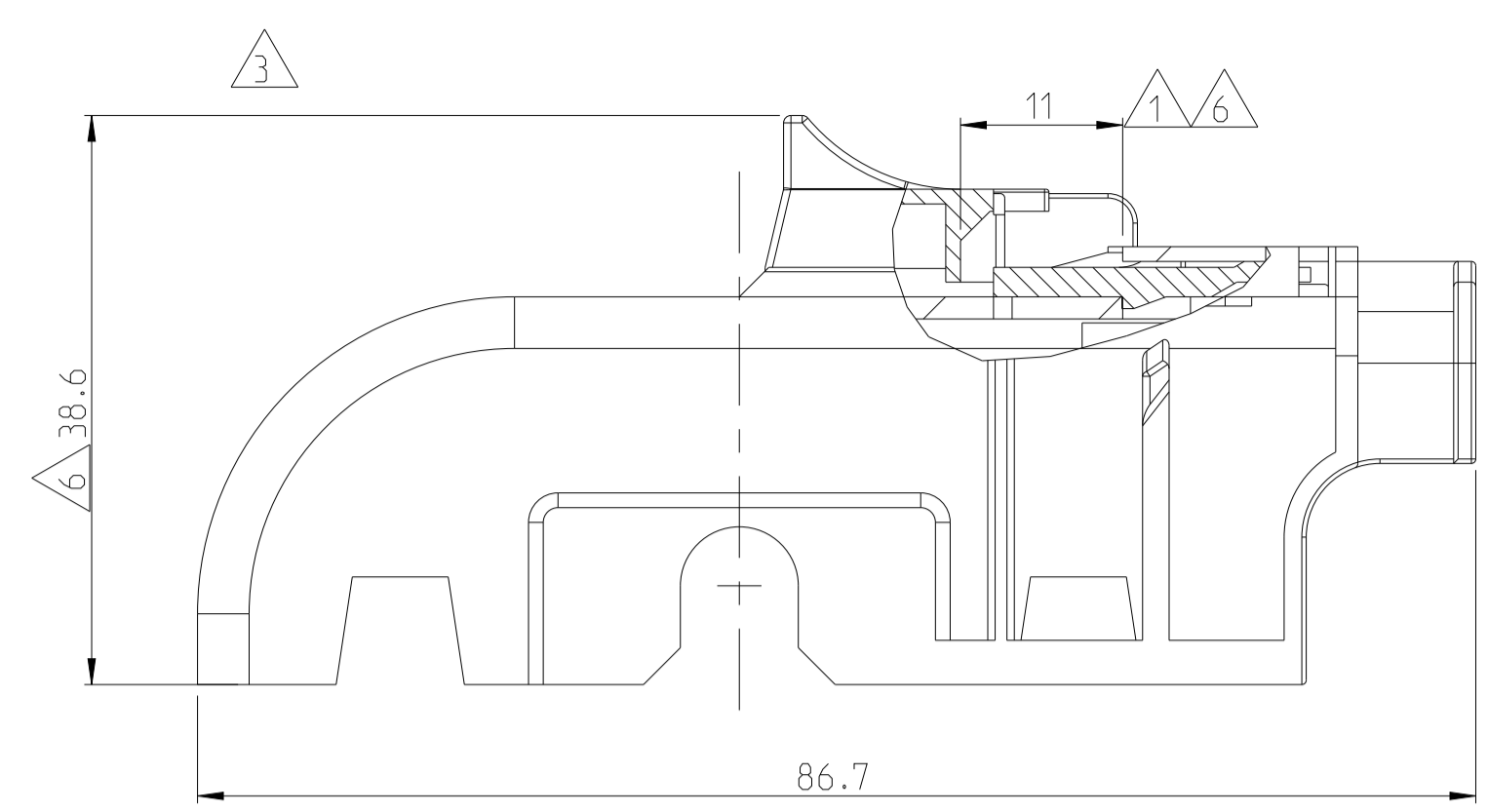
SIZE: A1 CASE CODE: 00779 DRAWING NO: 2112502 RESTRICTED TO: NUR FÜR

WEIGHT: 69g

Customer Drawing

LOC	DIST	REV	DATE	BY	APPV
A1	-	-	-	-	-

REVISIONS			
NO.	DESCRIPTION	DATE	BY
-	SEE SHEET 1	-	-

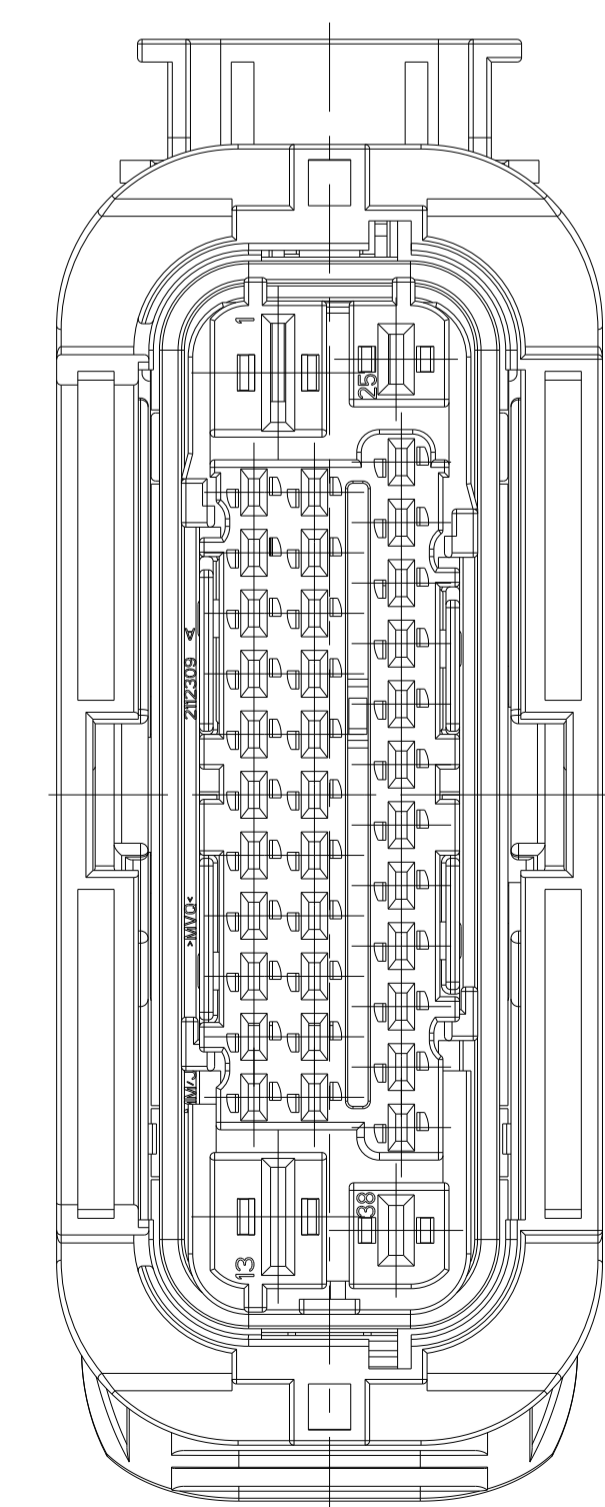
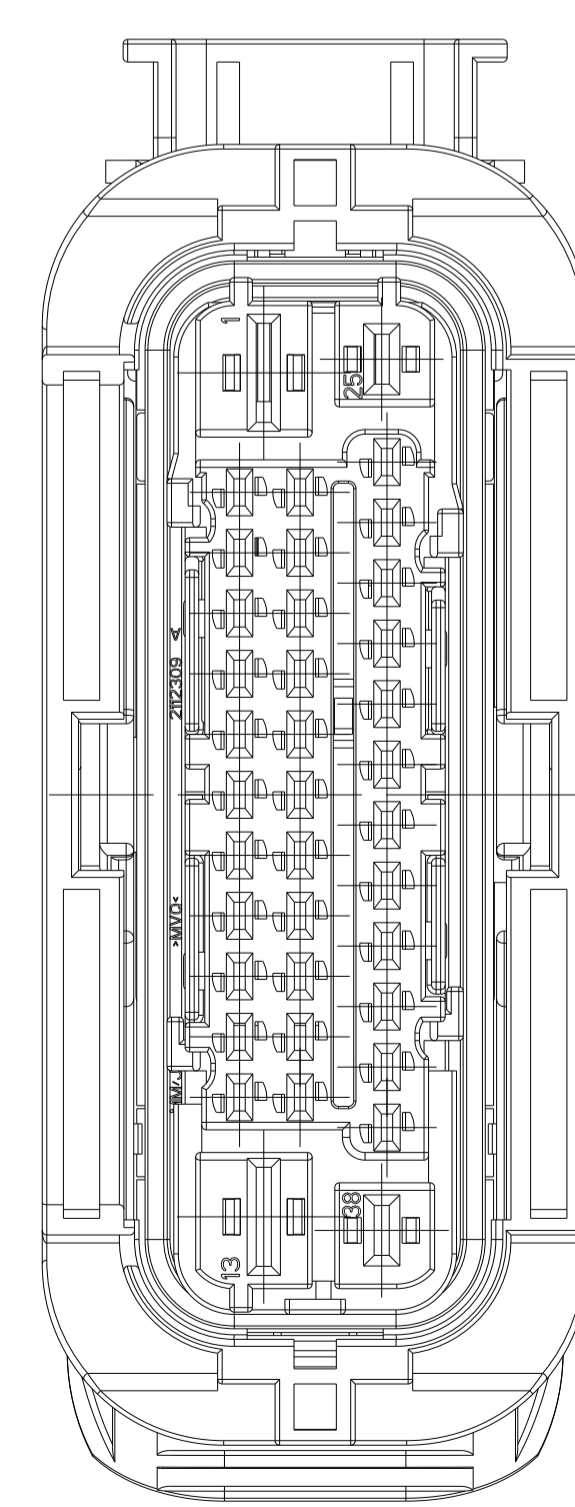
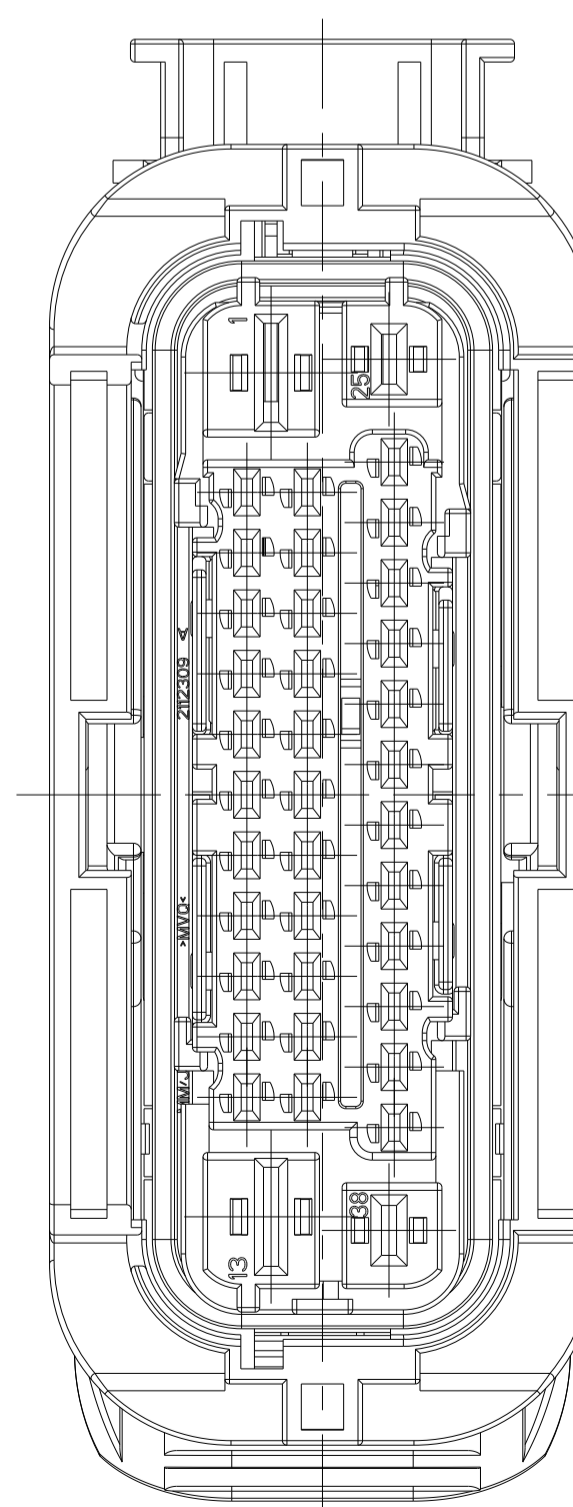
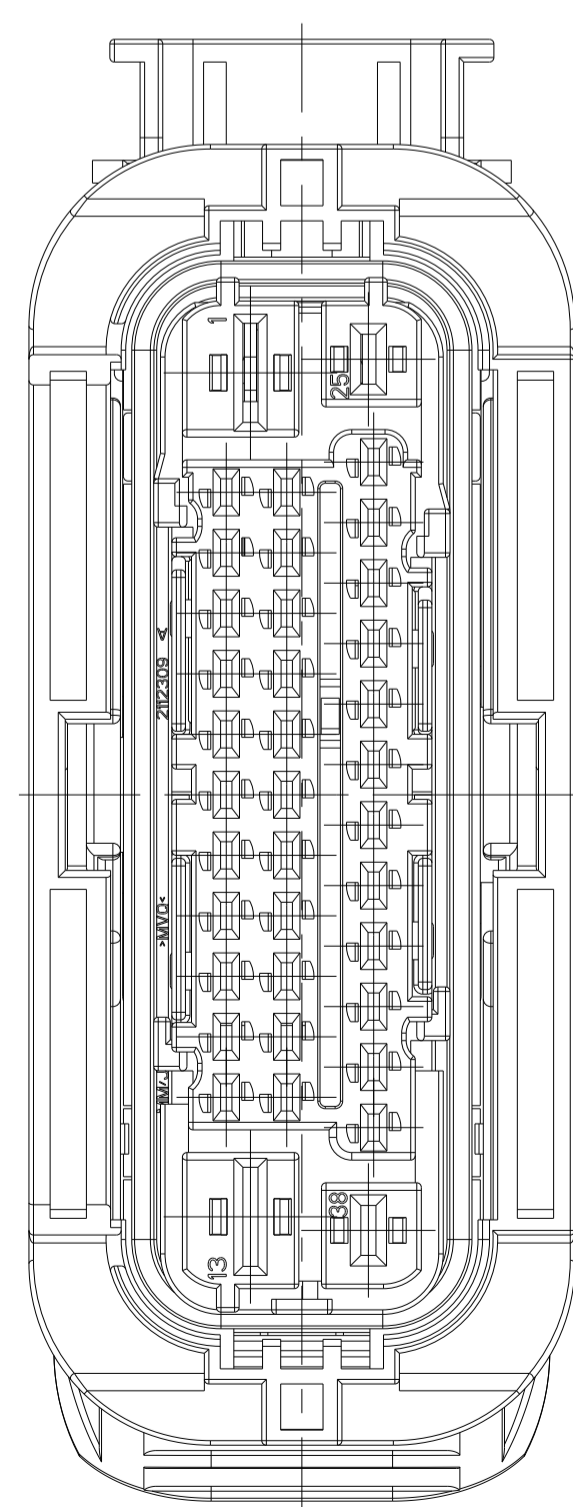


KODIERUNG 0
CODING 0

KODIERUNG I
CODING I

KODIERUNG II
CODING II

KODIERUNG III
CODING III



LOC	DIST	REV	DATE	BY	APPV	TE ORDER NO.	REV	MATERIAL	COLOUR	DESCRIPTION	QTY	ITEM NO.
BB	I	14-24	6-2112502-5	B	0-2293281-1	B		PBT	RED/RAL 3000	CPA, 38 POSN	1	7
								PBT-GF20	BLACK/RAL 9011	COVER, 90, 38 POSN	1	6
BB	III		6-2112502-4	B	1-2112499-5	A		PBT-GF20	GREY/RAL 7001	LEVER, 38 POSN	1	5
								PBT-GF20	BLACK/RAL 9011	38POS, MIXED, REC HSG	1	4
BB	II		6-2112502-3	B	0-2293281-1	B		PBT	RED/RAL 3000	CPA, 38 POSN	1	7
								PBT-GF20	BLACK/RAL 9011	COVER, 90, 38 POSN	1	6
BB	I	8-12 17 21 23 24 29 32	6-2112502-2	B	1-2112499-2	A		PBT-GF20	GREY/RAL 7001	LEVER, 38 POSN	1	5
								PBT-GF20	BLACK/RAL 9011	38POS, MIXED, REC HSG	1	4
BB	0		6-2112502-1	B	0-2293281-1	B		PBT	RED/RAL 3000	CPA, 38 POSN	1	7
								PBT-GF20	BLACK/RAL 9011	COVER, 90, 38 POSN	1	6
BB	I	9-12 21-24 34-37	5-2112502-7	B	0-2293281-1	A		PBT	RED/RAL 3000	CPA, 38 POSN	1	7
								PBT-GF20	BLACK/RAL 9011	COVER, 90, 38 POSN	1	6
BB	I	9-12 21-24 34-37	5-2112502-6	B	0-2112499-7	A		PBT-GF20	BLACK/RAL 9011	38POS, MIXED, REC HSG	1	4
								PBT-GF20	VIOLET/RAL 4006	RETAINER, 38 POSN	1	3
BB	I	14-24	5-2112502-5	B	0-2112499-5	A		PBT	RED/RAL 3000	CPA, 38 POSN	1	7
								PBT-GF20	BLACK/RAL 9011	COVER, 90, 38 POSN	1	6
BB	III		5-2112502-4	B	0-2112499-4	A		PBT-GF20	BLACK/RAL 9011	COVER, 90, 38 POSN	1	6
								PBT-GF20	BLACK/RAL 9011	LEVER, 38 POSN	1	5
BB	I	14-24	5-2112502-5	B	0-2112499-5	A		PBT-GF20	BLACK/RAL 9011	38POS, MIXED, REC HSG	1	4
								PBT-GF20	BLACK/RAL 9011	RETAINER, 38 POSN	1	3
BB	II		5-2112502-3	B	0-2293281-1	A		PBT	RED/RAL 3000	CPA, 38 POSN	1	7
								PBT-GF20	BLACK/RAL 9011	COVER, 90, 38 POSN	1	6
BB	I	8-12 17 21 23 24 29 32	5-2112502-2	B	0-2112499-2	A		PBT-GF20	BLACK/RAL 9011	LEVER, 38 POSN	1	5
								PBT-GF20	BLACK/RAL 9011	38POS, MIXED, REC HSG	1	4
BB	0		5-2112502-1	B	0-2293281-1	A		PBT	RED/RAL 3000	CPA, 38 POSN	1	7
								PBT-GF20	BLACK/RAL 9011	COVER, 90, 38 POSN	1	6

THIS DRAWING IS A CONTROLLED DOCUMENT. DWG: 06NOV2009
 CHK: K.Gossen
 APPV: F.Thiel

DIMENSIONS: mm
 TOLERANCES UNLESS OTHERWISE SPECIFIED:
 1. PLC ±0.10
 2. PLC ±0.15
 3. PLC ±0.20
 4. PLC ±0.30
 5. ANGLES ±0.1°

MATERIAL: S.TAB. FINISH: S.TAB.

PRODUCT SPEC: 38POS, MIXED, REC HSG, ASSY, SEALED
 APPLICATION SPEC: 38POLIG, GEMISCHT, FL.KONT.GEH., KOMPLETT, DICHT

SIZE: A1 CAGE CODE: 00779 DRAWING NO: 06NOV2009
 WEIGHT: 69g
 SCALE: 2:1 SHEET: 2 OF 2

Customer Drawing