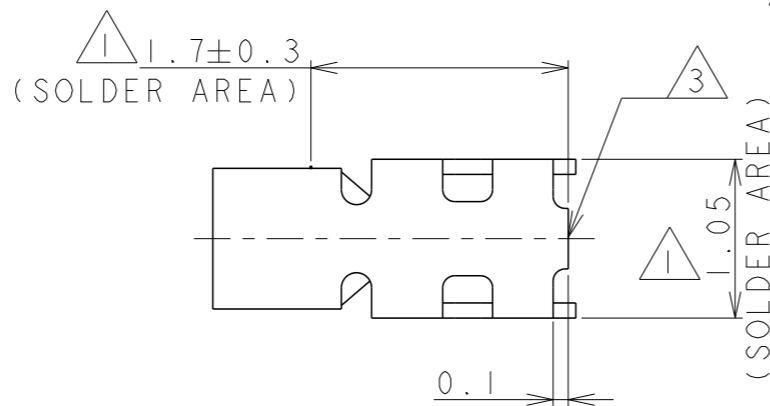
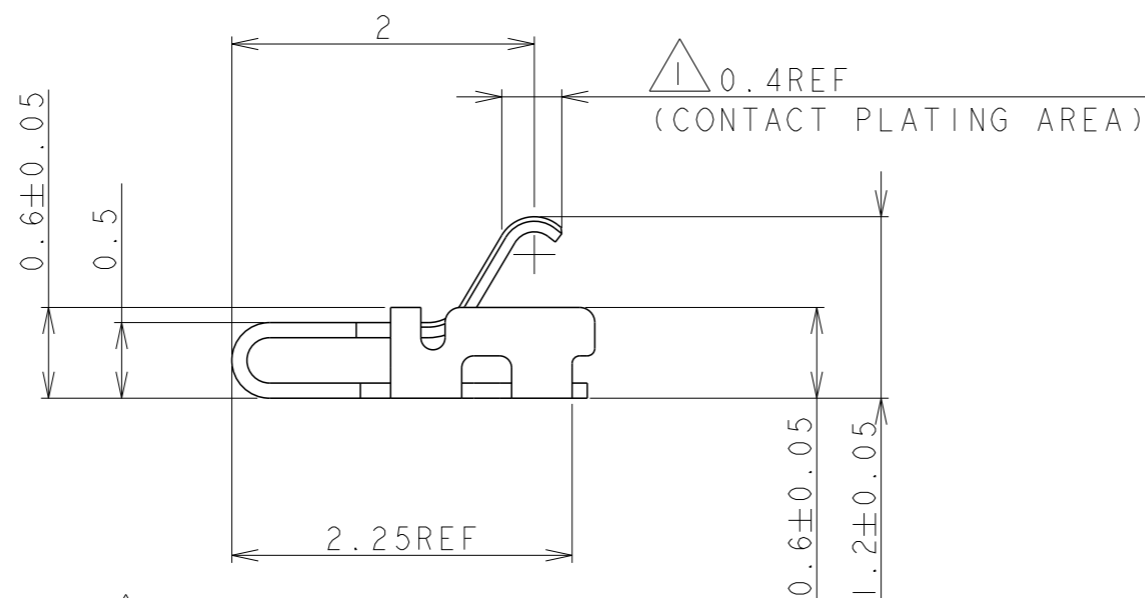
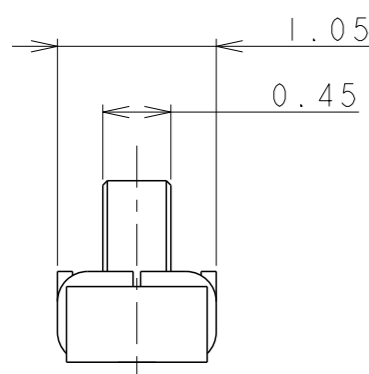
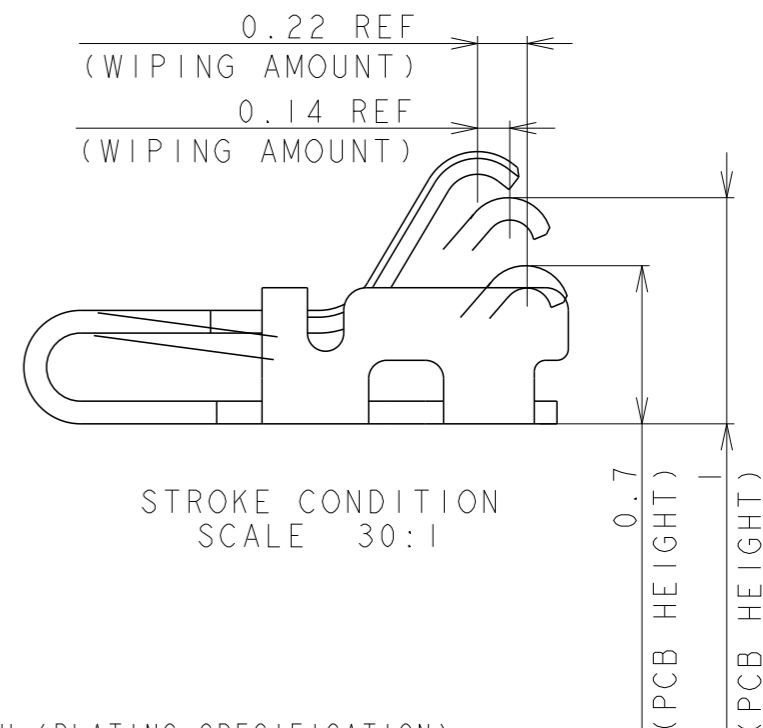
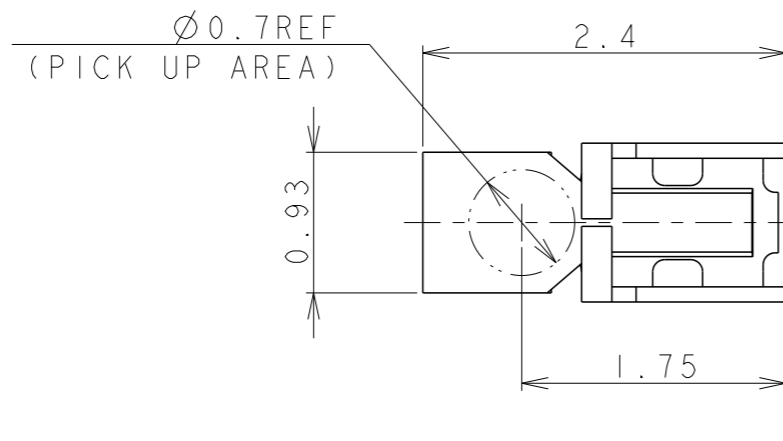
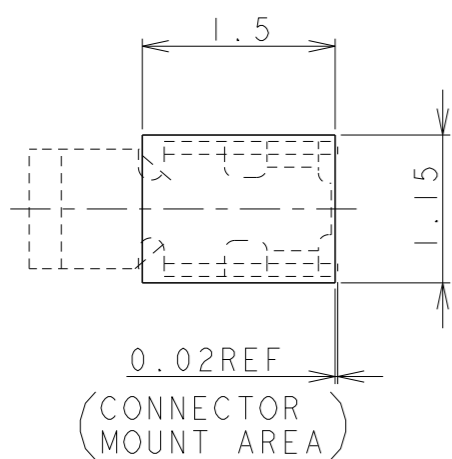


P	LTR	DESCRIPTION	DATE	DWN	APVD
	B4	REVISED	28MAR2022	J. J	N. S

AS SHOWN: - 1



- NOTES:
- 1 FINISH (PLATING SPECIFICATION)
 - △ Ni UNDER PLATING : 0.0008mm TO 0.002mm
 - Au PLATING (CONTACT PLATING AREA) : 0.00025mm TO 0.0005mm
 - Au PLATING (SOLDER AREA) : 0.00005mm TO 0.0005mm
 - 2 MATERIAL : COPPER ALLOY, THK.=0.1mm
 - △ CUTTING BURR : 0.05mm MAX.
 - △ DISUSED PACKAGEING MATERIAL : DRYPACK AND BAKING PROCESS.
 - △ NORMAL FORCE AT 1.0mm HEIGHT IS 0.3N MIN
NORMAL FORCE AT 0.7mm HEIGHT IS 1.1N MAX



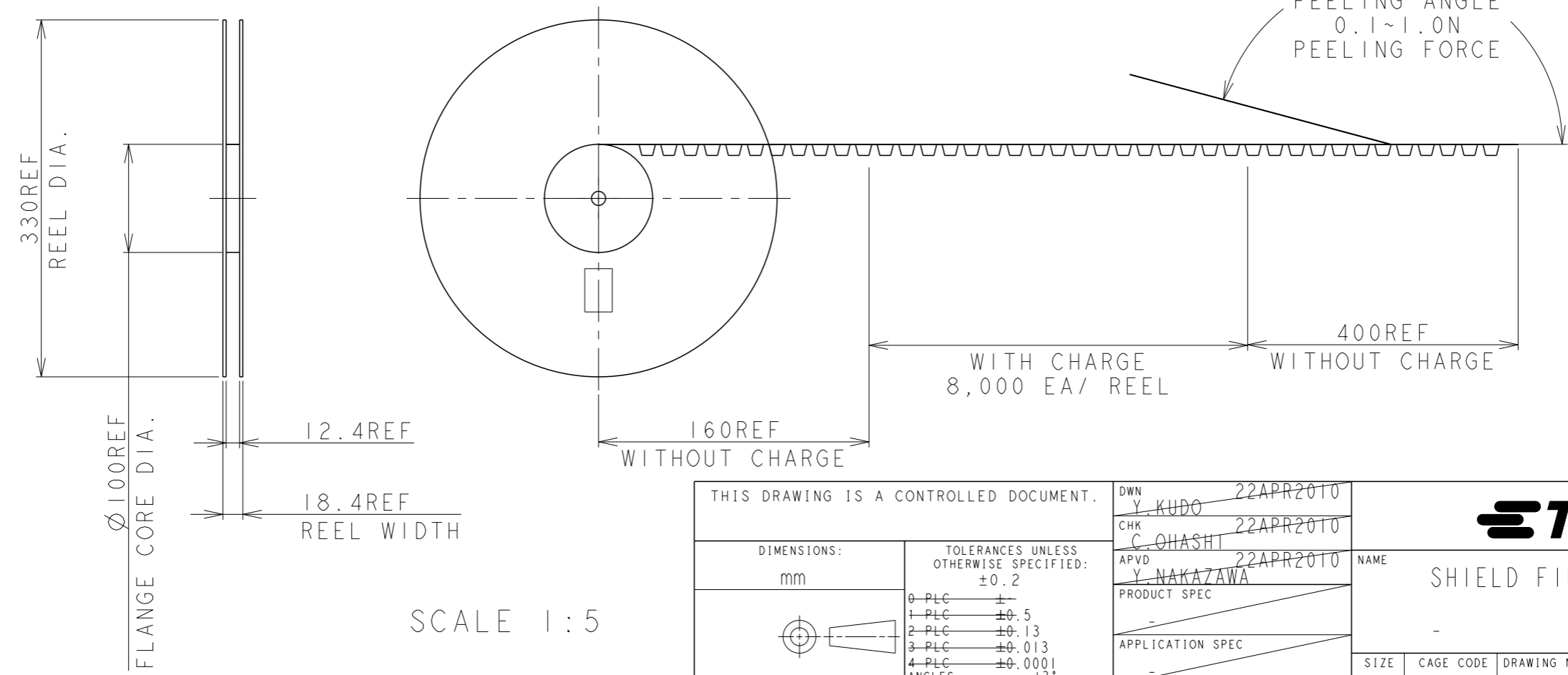
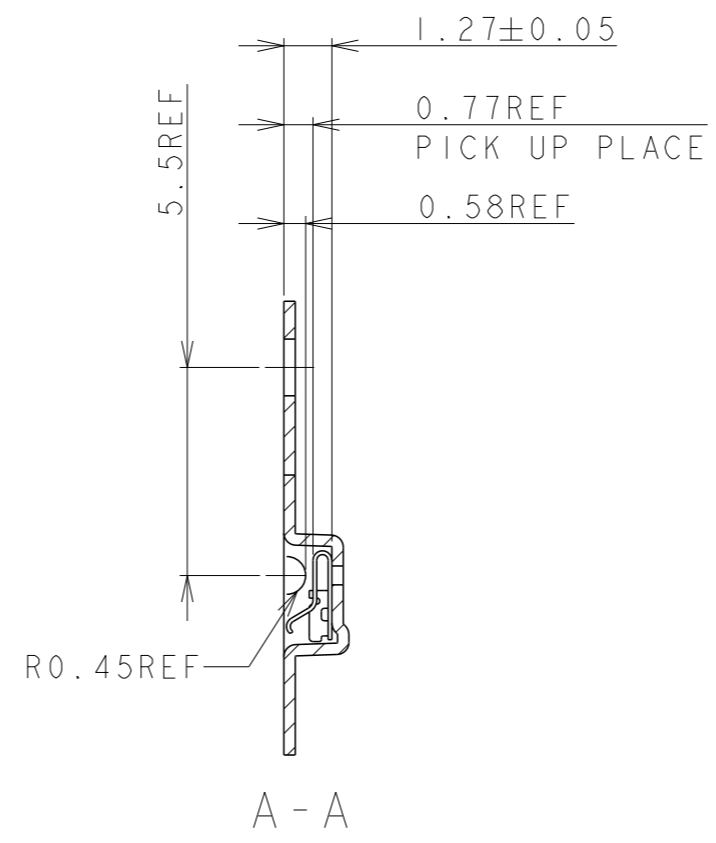
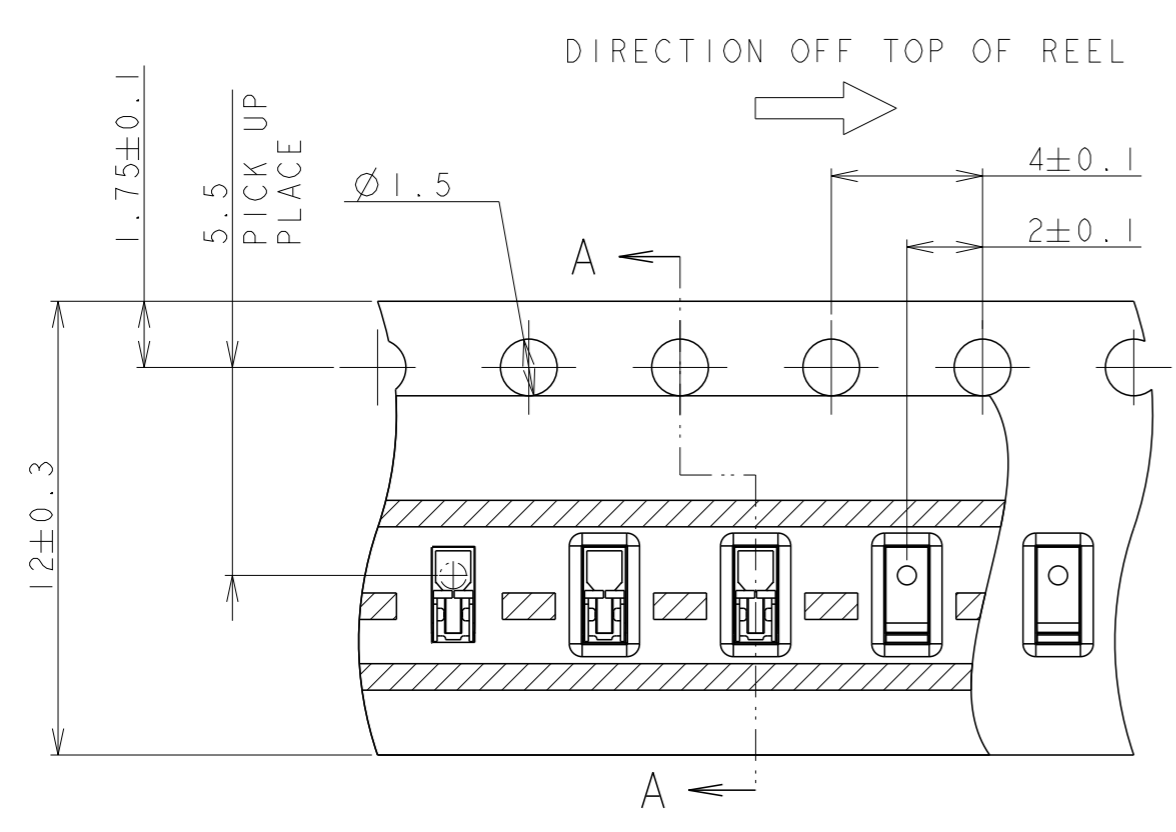
PCB LAYOUT (REFERANCE)

△	△	2134078-1
FINISH	MATERIAL	PART NUMBER

THIS DRAWING IS A CONTROLLED DOCUMENT.		DWN Y. KUDO 22APR2010	TE Connectivity		
DIMENSIONS: mm		CHK C. OHASHI 22APR2010			
TOLERANCES UNLESS OTHERWISE SPECIFIED: ±0.15		APVD Y. NAKAZAWA 22APR2010	NAME SHIELD FINGER 1210		
0 PLC ± 1 PLC ±0.5 2 PLC ±0.13 3 PLC ±0.013 4 PLC ±0.0001 ANGLES ±3°		PRODUCT SPEC	RESTRICTED TO		
MATERIAL △ 2		APPLICATION SPEC	SIZE A3	CAGE CODE 00779	DRAWING NO C-2134078
FINISH △ 1		WEIGHT 4.4 mg	SCALE 20:1 SHEET 1 OF 2 REV B4		
		CUSTOMER DRAWING			

THIS DRAWING IS UNPUBLISHED. RELEASED FOR PUBLICATION 20
 © COPYRIGHT 20 BY - ALL RIGHTS RESERVED.

LOC	DIST	REVISIONS			
P	LTR	DESCRIPTION	DATE	DWN	APVD
		SEE SHEET 1	-	-	-



SCALE 1:5

THIS DRAWING IS A CONTROLLED DOCUMENT.		DWN	Y. KUDO	22APR2010	 TE Connectivity	NAME	SHIELD FINGER 1210				
DIMENSIONS: mm		CHK	C. OHASHI	22APR2010			SIZE	CAGE CODE	DRAWING NO	RESTRICTED TO	
TOLERANCES UNLESS OTHERWISE SPECIFIED: ±0.2		APVD	Y. NAKAZAWA	22APR2010							A300779
0-PLC ± 1-PLC ±0.5 2-PLC ±0.13 3-PLC ±0.013 4-PLC ±0.0001 ANGLES ±3°		PRODUCT SPEC	-	WEIGHT			4.4 mg	SCALE	20:1	SHEET	
MATERIAL		APPLICATION SPEC		-	CUSTOMER DRAWING						