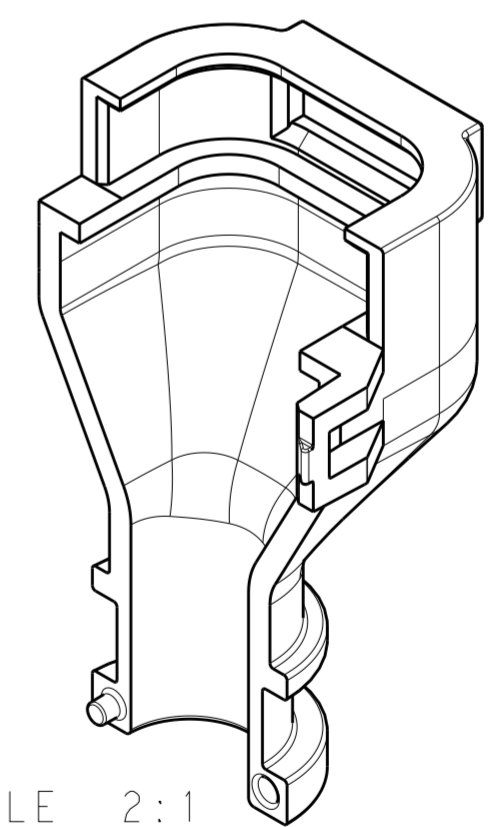
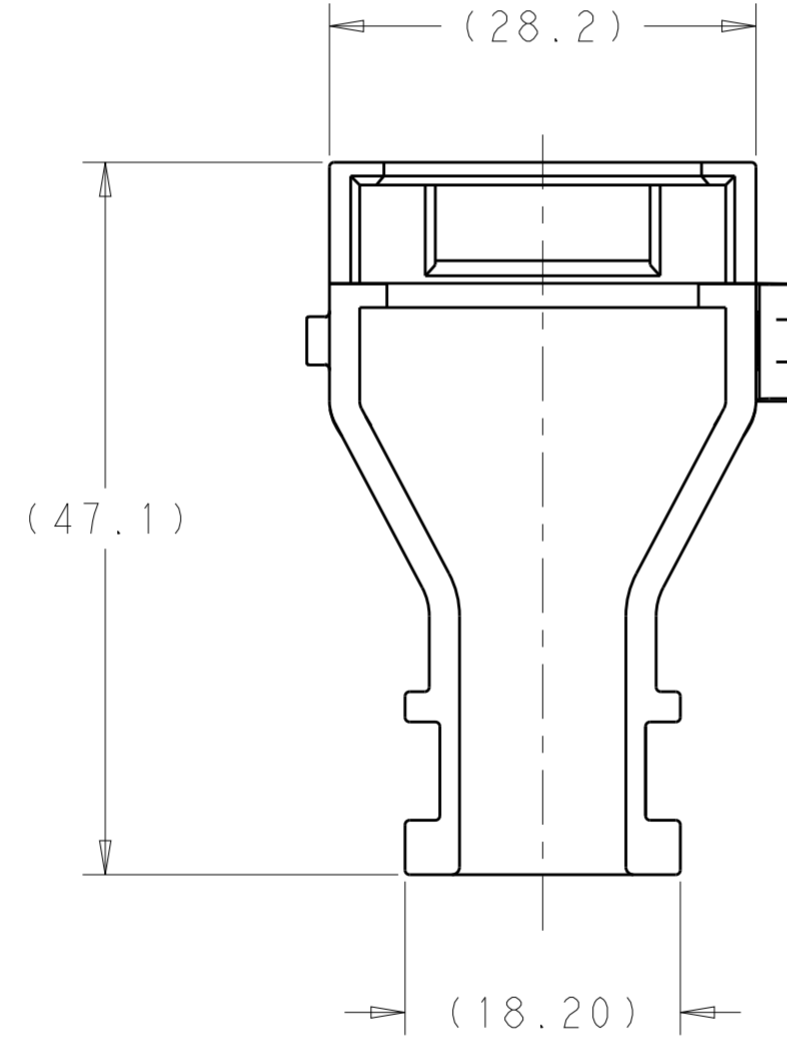
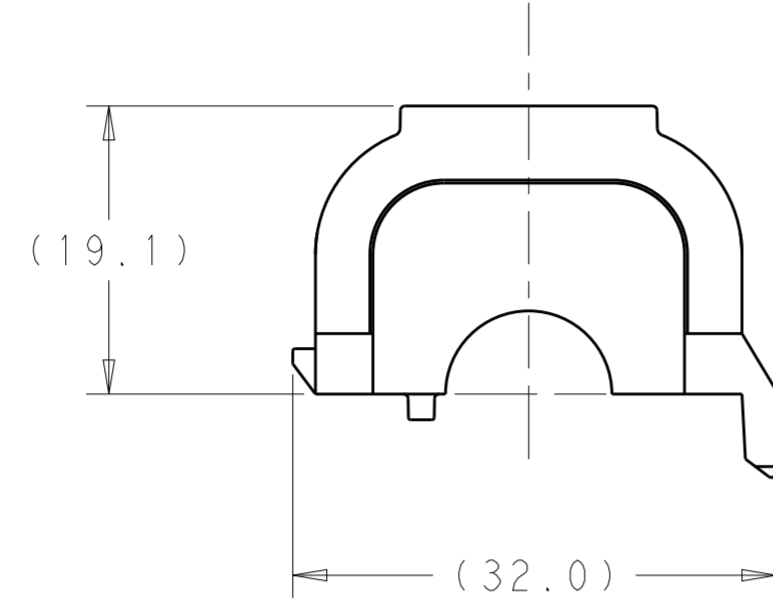


THIS DRAWING IS UNPUBLISHED. RELEASED FOR PUBLICATION
 © COPYRIGHT - ALL RIGHTS RESERVED.


REVISIONS				
P	LTR	DESCRIPTION	DATE	APVD
A		INITIAL RELEASE	23FEB2017	JM DS
B		ECO-18-002973	27FEB2018	DS DS
C		ECO-18-008366	29MAY2018	DS DS
D		ECO-18-016527	17OCT2018	DS DS



SCALE 2:1

- 1. MATERIAL: PBT, 15% GLASS FILLED, COLOR: BLACK
- 2. USED WITH 14 POSITION AMPSEAL PLUG ASSEMBLY 776273
- 3. TWO PIECES REQUIRED PER ASSEMBLY
- 4. A WIRE TIE IS RECOMMENDED AROUND THE WIRE EXIT END OF THE BACKSHELL TO AID IN SECURING THE TWO HALVES TOGETHER

2138530-1
PART NO

THIS DRAWING IS A CONTROLLED DOCUMENT.		DWN J. MCNEAL 23FEB2017	 TE Connectivity	
DIMENSIONS: mm		CHK D. STRAUSSER 23FEB2017		
TOLERANCES UNLESS OTHERWISE SPECIFIED:		APVD D. STRAUSSER 29MAY2018	NAME WIRE RELIEF, 14 POSITION, AMPSEAL	
0 PLC ± 1 PLC ± 2 PLC ±0.10 3 PLC ± 4 PLC ± ANGLES ±2° FINISH -		PRODUCT SPEC -	SIZE A2	RESTRICTED TO
MATERIAL 1		APPLICATION SPEC -	CAGE CODE -	DRAWING NO. C-2138530
		WEIGHT -	SCALE 2:1	SHEET 1 OF 1 REV D
		CUSTOMER DRAWING		