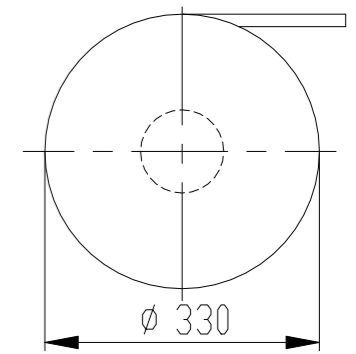
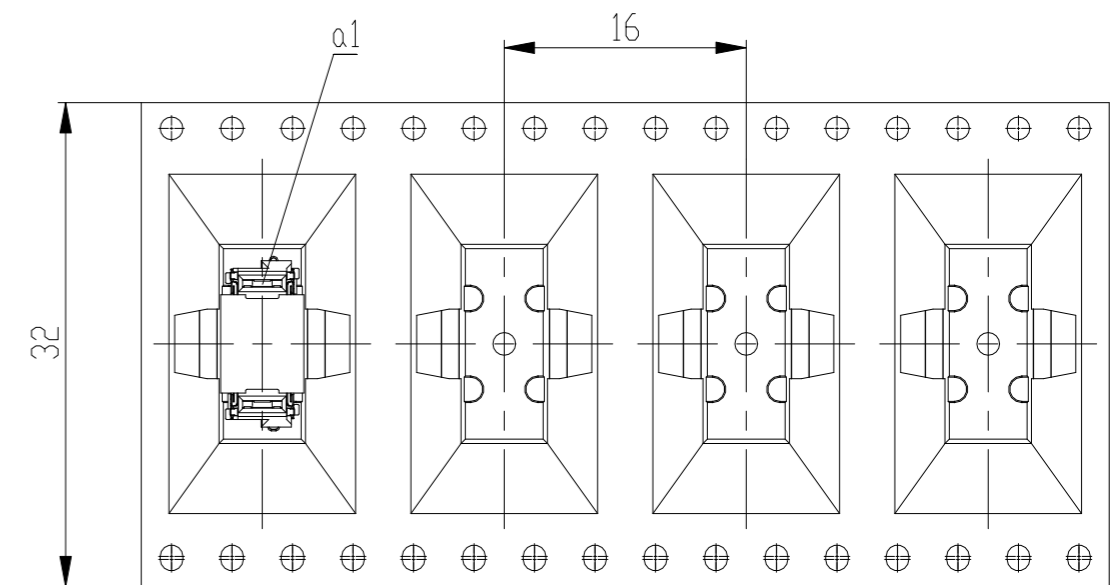
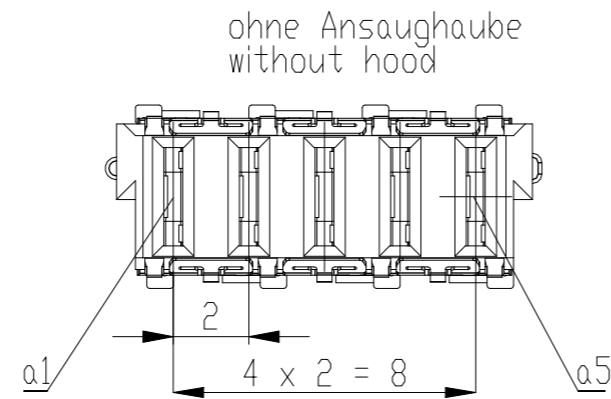
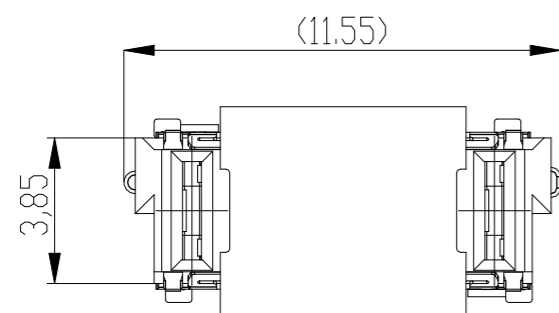


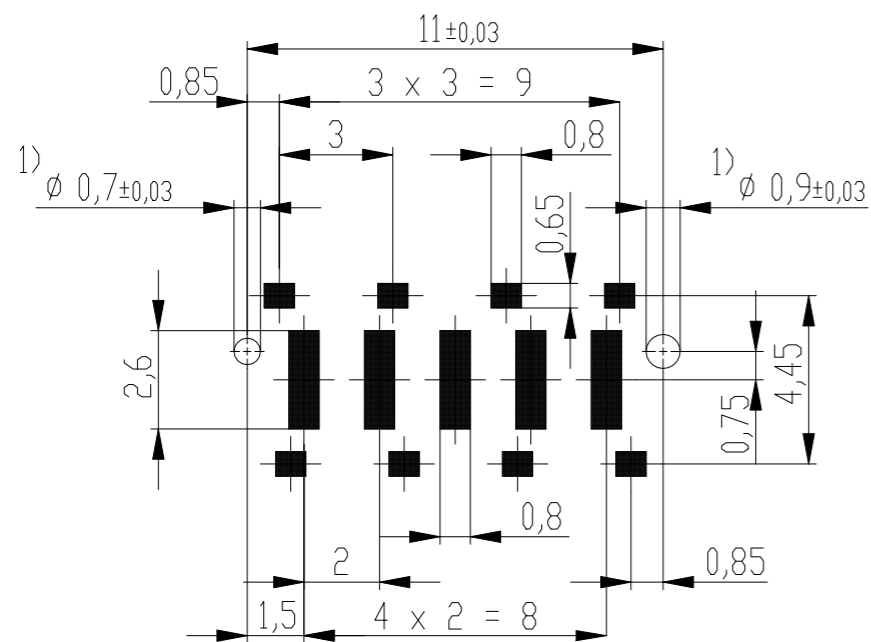
Verpackt in Gurtverpackung
Tape on Reel Packaging
Verpackungseinheit: 300 Stück
Packaging unit: 300 pcs



Abspulrichtung - Reel off Direction



Leiterplatten-Layout Vorschlag / PCB-Layout Proposal



1) Durchmesser des Bohrers / Drill tool

Anforderungsstufe 1
Performance Level 1

Kontaktbereich vergoldet
Mating Area gold plating

Anschlussbereich verzinkt 4-6µm
Terminal Area 4-6µm tin plating

Koplanarität der Anschlüsse ≤ 0,1mm
Coplanarity Area of Termination ≤ 0,1mm

Information:	Tolerances Dim. for Information ISO 8015	 All Dimensions in mm	Scale 5:1
	Customer drawing: THIS DRAWING IS A CONTROLLED DOCUMENT.		Designation ERNI-Federleiste SMD, Powerm. 8mm Female Con. SMD, Powerm. 8mm
g Index	13.09.2012 Date		214548-E Class MSPEED
			I A3

Copyright by TE Gmbh
Proprietary notice pursuant to ISO 16016 to be observed.