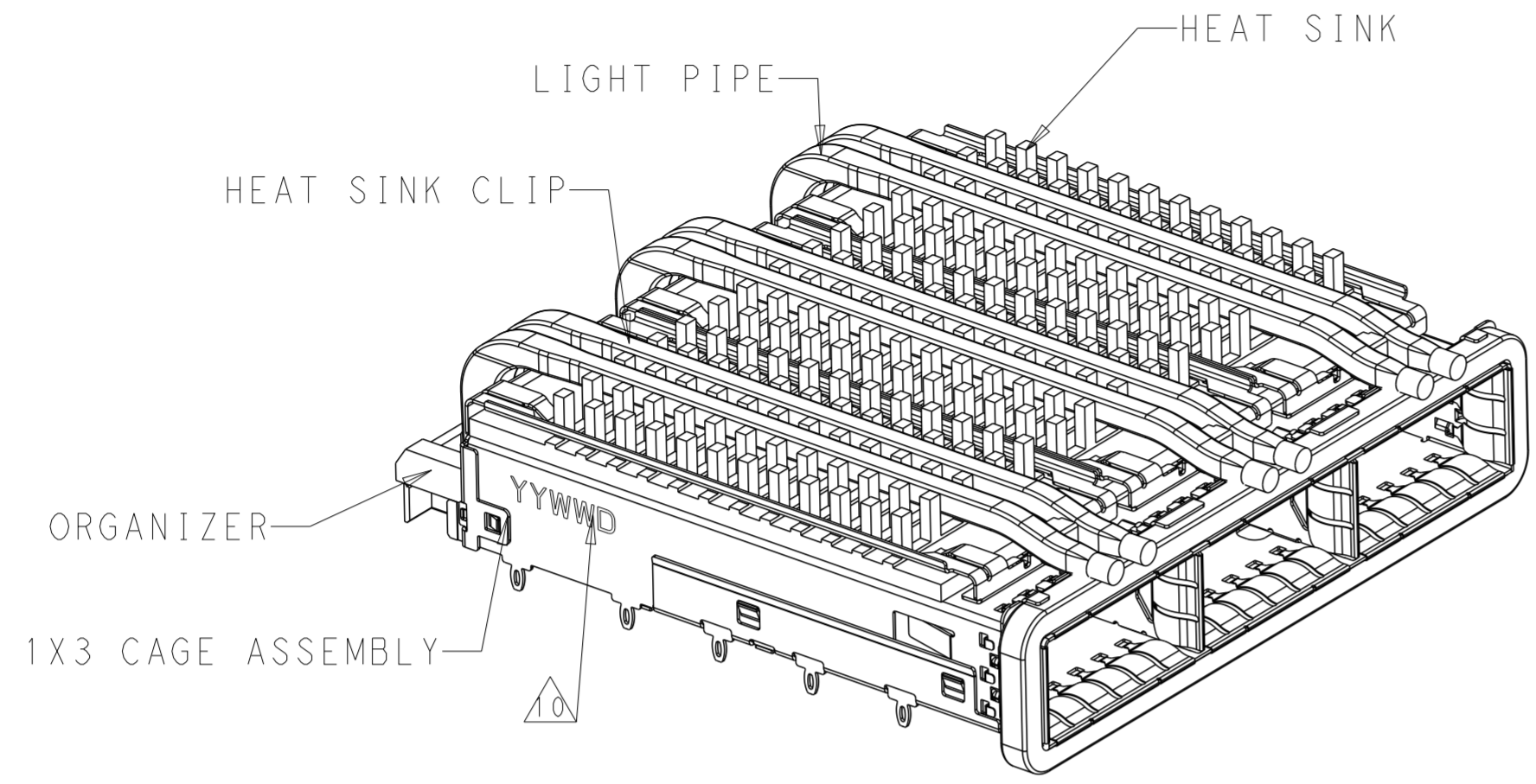


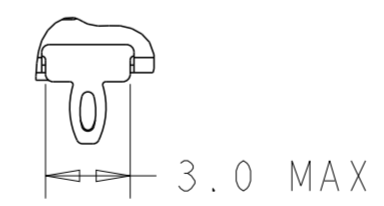
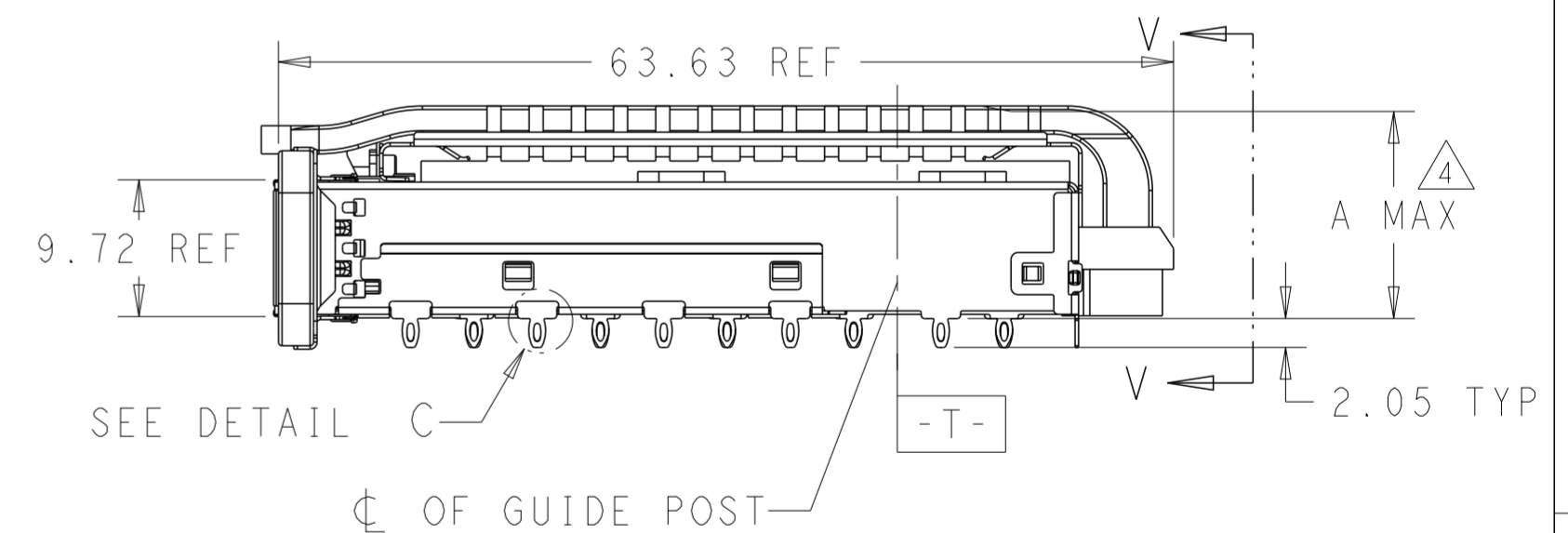
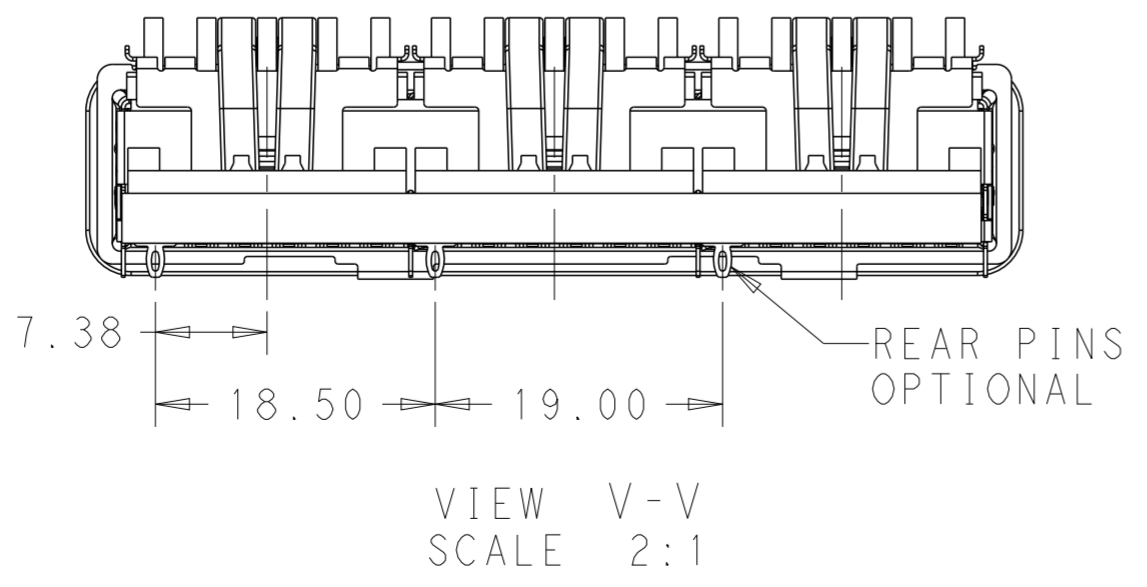
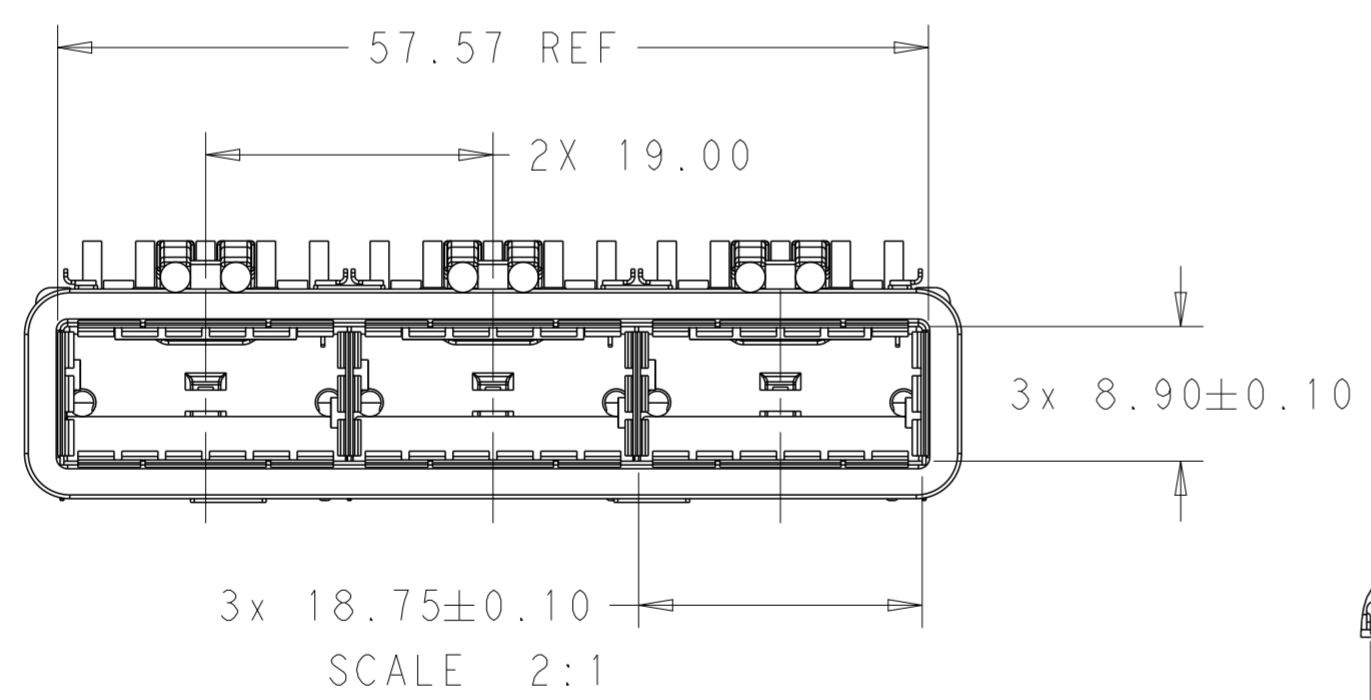
THIS DRAWING IS UNPUBLISHED. RELEASED FOR PUBLICATION 20
 © COPYRIGHT 20 BY - ALL RIGHTS RESERVED.

| LOC | DIST | REVISIONS | | | | | |
|-----|------|-----------|-----|---------------------------|-----------|-----|------|
| | | P | LTR | DESCRIPTION | DATE | DWN | APVD |
| GP | 00 | A | | RELEASE | 31DEC2015 | JY | SH |
| | | A1 | | REVISED PER ECO-19-016043 | 21OCT2019 | SH | SH |
| | | A2 | | REVISED PER ECN-22-163746 | 11JUL2022 | IT | SZ |



2-2170769-2 AS SHOWN
SCALE 2:1

- COMPONENTS
 CAGE ASSEMBLY: NICKEL-SILVER ALLOY
 HEAT SINK: ALUMINUM/BLACK ANODIZE
 HEAT SINK CLIP: STAINLESS STEEL
 EMI GASKET: CONDUCTIVE RUBBER
 LIGHT PIPE: CLEAR POLYCARBONATE
 ORGANIZER: POLYESTER
- REFERENCE APPLICATION SPECIFICATION 114-32023 FOR RECOMMENDED DRILL HOLE DIAMETER AND PLATING THICKNESS
- DATUM AND BASIC DIMENSION ESTABLISHED BY CUSTOMER
- DIMENSION APPLIES WITH MODULE INSERTED IN CAGE
- HEAT SINKS, HEAT SINK CLIPS AND LIGHT PIPES ARE SHIPPED ASSEMBLED ON CAGE
- MINIMUM PC BOARD THICKNESS:
 SINGLE SIDED: 1.57 MIN
 DOUBLE SIDED: 3.00 MIN
- DATUM **-A-** IS TOP SURFACE OF THE HOST BOARD.
- THESE HOLES ARE OPTIONAL WHEN THE REAR PINS ARE REMOVED.
- MATES WITH QSFP28 MSA COMPATIBLE TRANSCEIVER.
- DATE CODE (YYWWD) MARKED APPROXIMATELY AS SHOWN.
- NOTED DIMENSIONS ONLY APPLY TO CAGE ASSEMBLY WITH LIGHT PIPE.



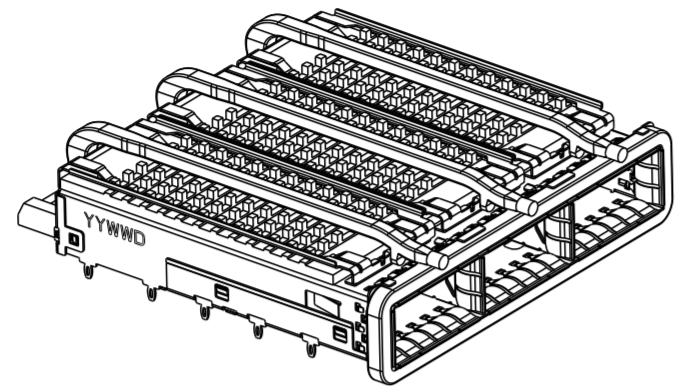
DETAIL C
SCALE 4:1

| | | | | |
|--|--|----------------------------|--|--|
| THIS DRAWING IS A CONTROLLED DOCUMENT. | | DWN BING LIU 23APR2014 | STE TE Connectivity | |
| | | CHK JASON YANG 23APR2014 | | |
| DIMENSIONS: mm | | APVD SEAN HAN 31DEC2015 | NAME RECEPTACLE CAGE ASSEMBLY WITH HEAT SINKS AND LIGHT PIPES, THRU BEZEL, 1X3, QSFP28 | |
| TOLERANCES UNLESS OTHERWISE SPECIFIED: | | PRODUCT SPEC 108-19428 | SIZE CAGE CODE DRAWING NO RESTRICTED TO | |
| 0 PLC ± | | APPLICATION SPEC 114-32023 | A200779 C-2170769 | |
| 1 PLC ±0.25 | | WEIGHT - | SCALE 3:1 SHEET 1 OF 9 REV A2 | |
| 2 PLC ±0.2 | | CUSTOMER DRAWING | | |
| 3 PLC ± | | | | |
| 4 PLC ± | | | | |
| ANGLES ± | | | | |
| FINISH ± | | | | |
| SEE NOTES | | SEE NOTES | | |

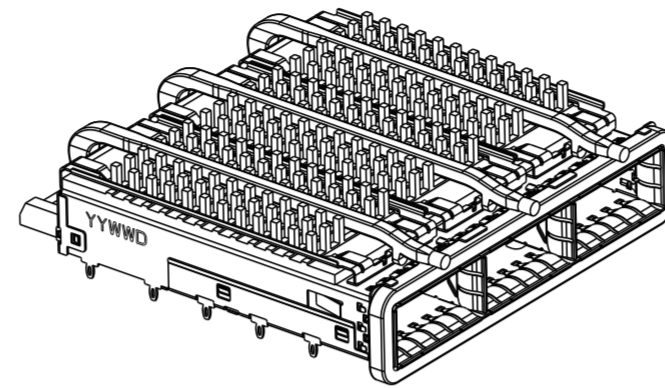
THIS DRAWING IS UNPUBLISHED. RELEASED FOR PUBLICATION 20
 © COPYRIGHT 20 BY - ALL RIGHTS RESERVED.

| LOC | DIST | REVISIONS | | | |
|-----------|--------------|-------------|----------|---------|----------|
| P | LTR | DESCRIPTION | DATE | DWN | APVD |
| rev_sym_1 | 16EW_8HBEI11 | | rev.date | rev.dwn | rev.appr |
| rev_sym_2 | rev_desc_2 | | rev.date | rev.dwn | rev.appr |
| rev_sym_3 | rev_desc_3 | | rev.date | rev.dwn | rev.appr |
| rev_sym_4 | rev_desc_4 | | rev.date | rev.dwn | rev.appr |

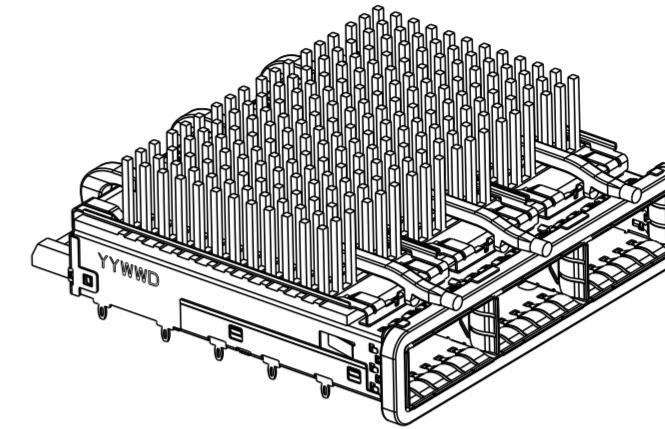
HEAT SINK OPTION



SCALE 1:1

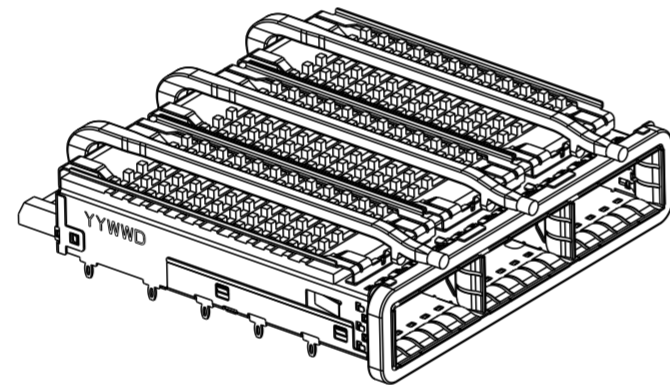


SCALE 1:1

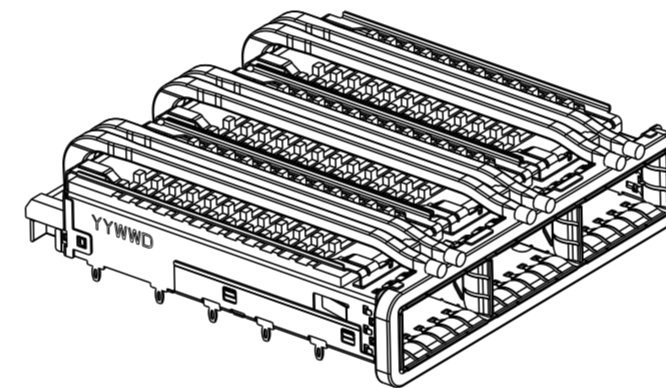


SCALE 1:1

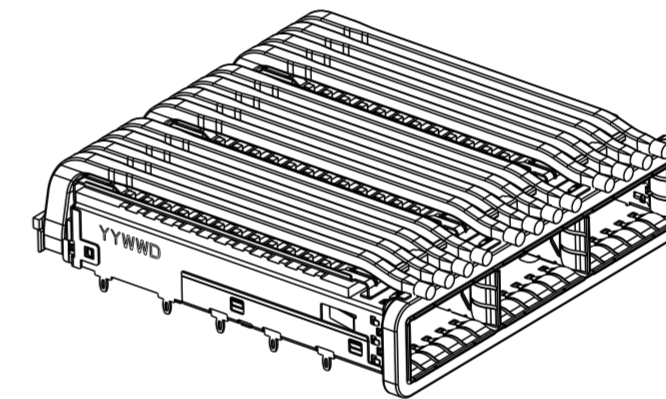
LIGHT PIPE OPTION



SCALE 1:1

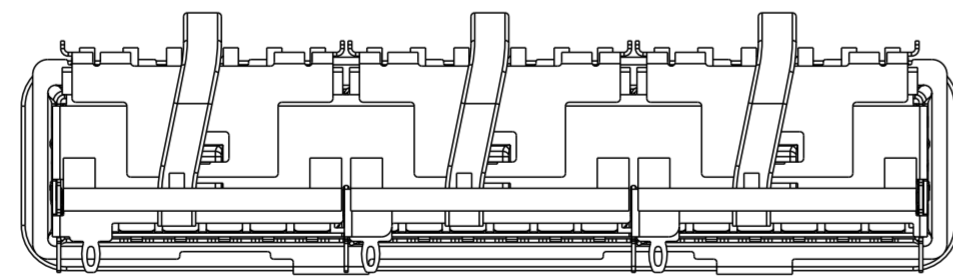


SCALE 1:1

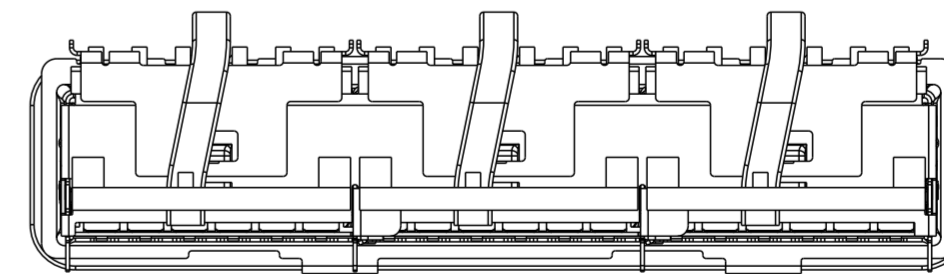


SCALE 1:1


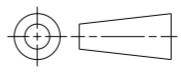
OF REAR PIN OPTION



1 REAR PIN
SCALE 2:1



0 REAR PIN
SCALE 2:1

| | | | | | |
|--|--|--------------------------------------|---|----------------------|-------------------------------|
| THIS DRAWING IS A CONTROLLED DOCUMENT. | | DWN BING LIU 23APR2014 |  TE Connectivity | | |
| DIMENSIONS: mm | | CHK JASON YANG 23APR2014 | | | |
|  | | APVD SEAN HAN 31DEC2015 | NAME RECEPTACLE CAGE ASSEMBLY WITH HEAT SINKS AND LIGHT PIPES, THRU BEZEL, 1X3, QSFP28 | | |
| TOLERANCES UNLESS OTHERWISE SPECIFIED: 0 PLC ± 1 PLC ±0.25 2 PLC ±0.2 3 PLC ± 4 PLC ± ANGLES ± | | PRODUCT SPEC 108-19428 | SIZE 114-32023 | CAGE CODE A200779 | DRAWING NO C-2170769 |
| MATERIAL SEE NOTES material_2 | | FINISH SEE NOTES finish_spec_2 | WEIGHT - | RESTRICTED TO - | SCALE 3:1 SHEET 1 OF 9 REV A2 |
| CUSTOMER DRAWING | | | | | |

THIS DRAWING IS UNPUBLISHED. RELEASED FOR PUBLICATION 20
 © COPYRIGHT 20 BY - ALL RIGHTS RESERVED.

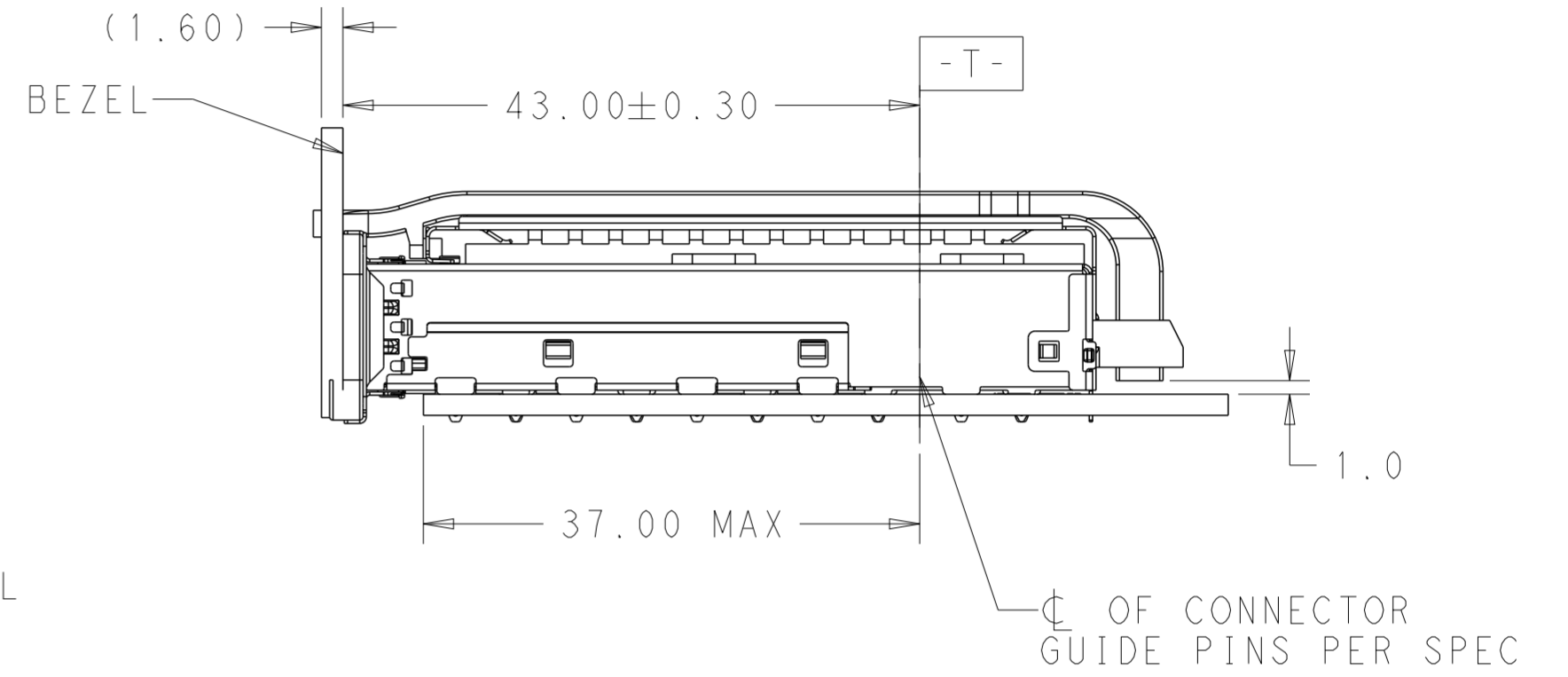
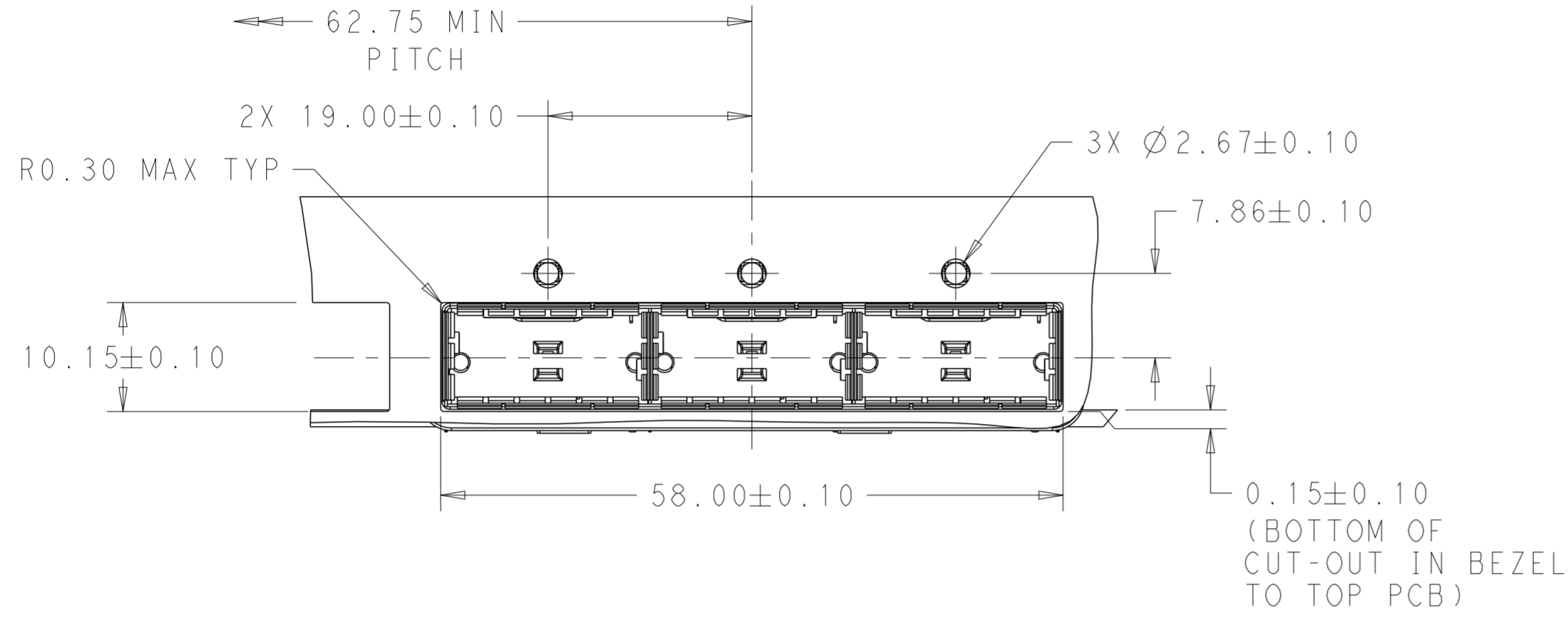
| P | LTR | DESCRIPTION | DATE | DWN | APVD |
|-----------|------------|-------------|----------|---------|----------|
| | | | | | |
| rev_sym_1 | 166-8HBEI1 | | rev.date | rev.dwn | rev.appr |
| rev_sym_2 | rev_desc_2 | | rev.date | rev.dwn | rev.appr |
| rev_sym_3 | rev_desc_3 | | rev.date | rev.dwn | rev.appr |
| rev_sym_4 | rev_desc_4 | | rev.date | rev.dwn | rev.appr |

| | | | | |
|---------------|-------|-------------------|-------------|-------------|
| 0 | 23.0 | QUAD | NETWORKING | 4-2170769-6 |
| 0 | 16.0 | QUAD | SAN | 4-2170769-5 |
| 0 | 13.7 | QUAD | PCI | 4-2170769-4 |
| 1 | 23.0 | QUAD | NETWORKING | 4-2170769-3 |
| 1 | 16.0 | QUAD | SAN | 4-2170769-2 |
| 1 | 13.7 | QUAD | PCI | 4-2170769-1 |
| 0 | 23.0 | DUAL | NETWORKING | 2-2170769-6 |
| 0 | 16.0 | DUAL | SAN | 2-2170769-5 |
| 0 | 13.7 | DUAL | PCI | 2-2170769-4 |
| 1 | 23.0 | DUAL | NETWORKING | 2-2170769-3 |
| 1 | 16.0 | DUAL | SAN | 2-2170769-2 |
| 1 | 13.7 | DUAL | PCI | 2-2170769-1 |
| 0 | 16.0 | SINGLE | W/O HS | 2170769-7 |
| 0 | 23.0 | SINGLE | NETWORKING | 2170769-6 |
| 0 | 16.0 | SINGLE | SAN | 2170769-5 |
| 0 | 13.7 | SINGLE | PCI | 2170769-4 |
| 1 | 23.0 | SINGLE | NETWORKING | 2170769-3 |
| 1 | 16.0 | SINGLE | SAN | 2170769-2 |
| 1 | 13.7 | SINGLE | PCI | 2170769-1 |
| # OF REAR PIN | DIM A | LIGHT PIPE OPTION | APPLICATION | PART NUMBER |

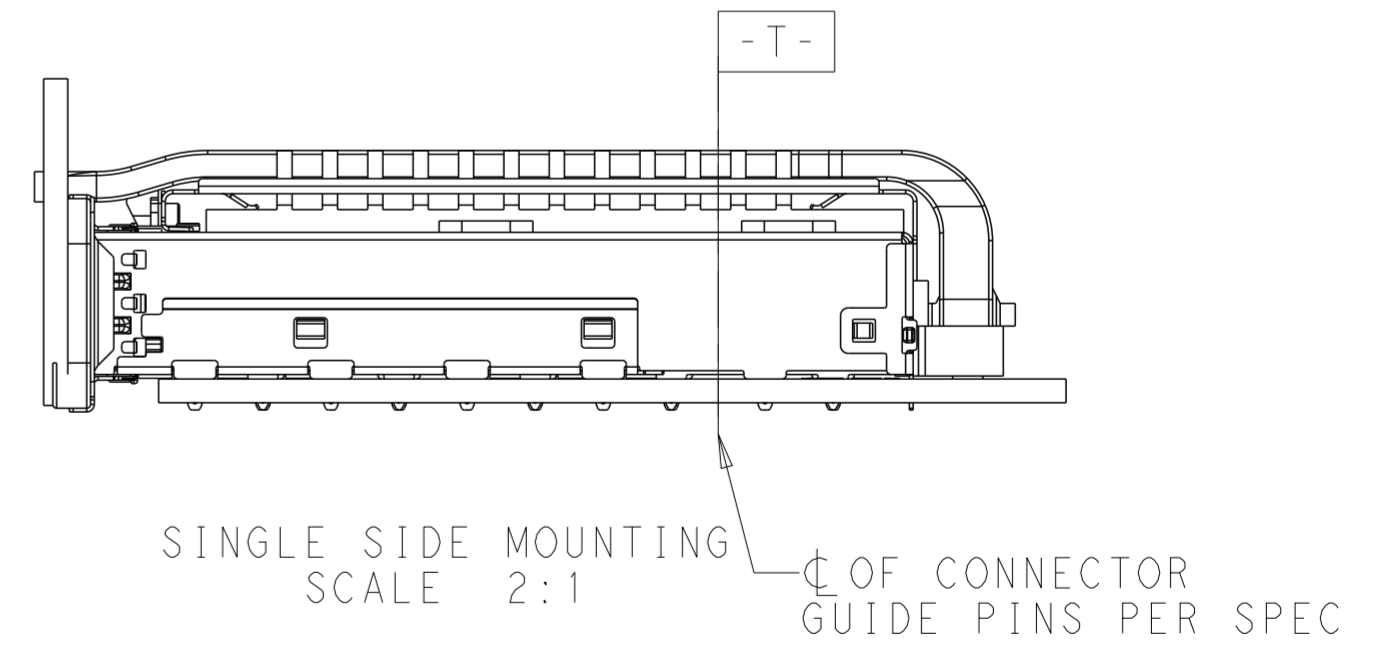
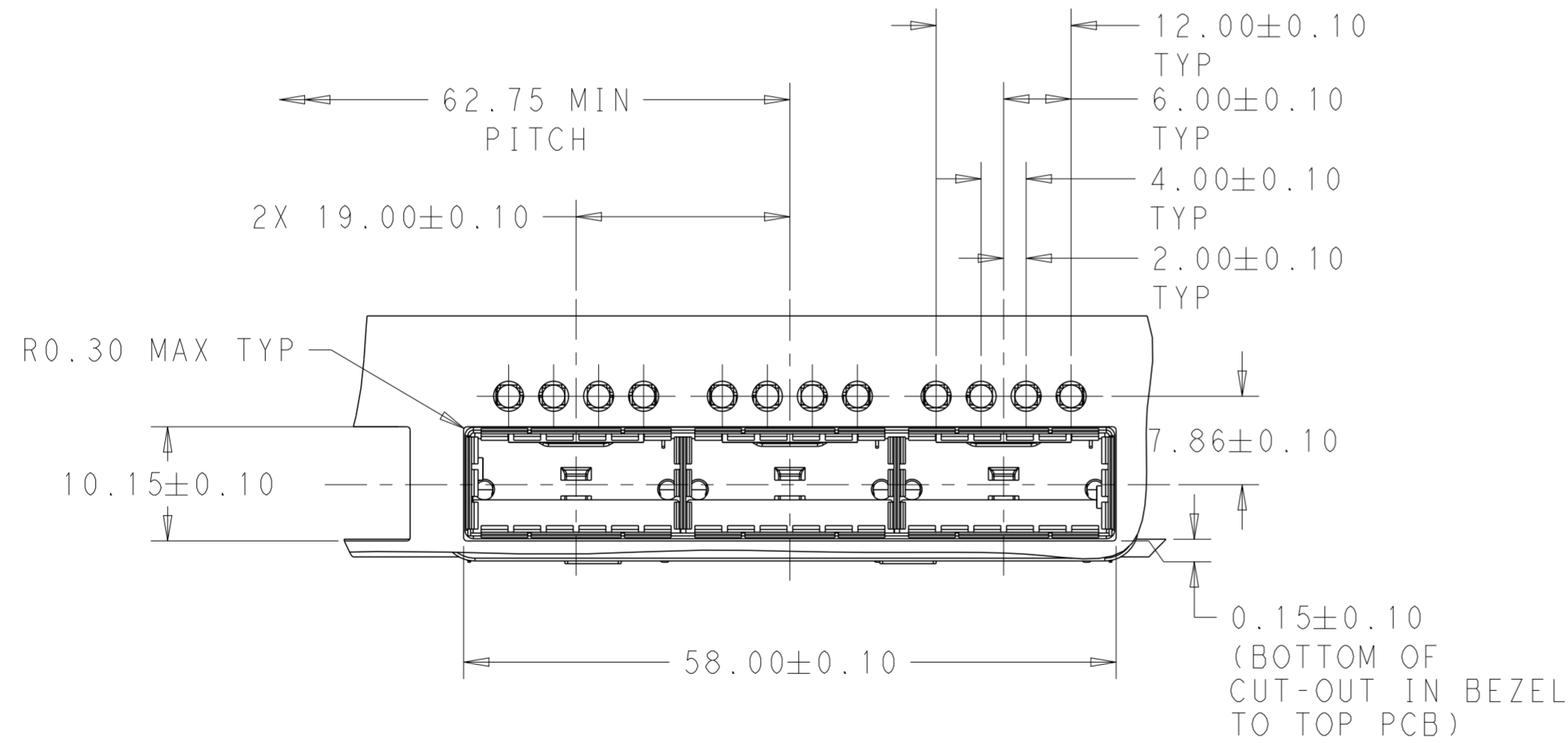
| | | | | |
|--|--|--------------------------------------|---|----------------------|
| THIS DRAWING IS A CONTROLLED DOCUMENT. | | DWN BING LIU 23APR2014 | STE TE Connectivity | |
| DIMENSIONS: mm | | CHK JASON YANG 23APR2014 | | |
| TOLERANCES UNLESS OTHERWISE SPECIFIED: 0 PLC ± 1 PLC ±0.25 2 PLC ±0.2 3 PLC ± 4 PLC ± ANGLES ± | | APVD SEAN HAN 31DEC2015 | NAME RECEPTACLE CAGE ASSEMBLY WITH HEAT SINKS AND LIGHT PIPES, THRU BEZEL, 1X3, QSFP28 | |
| MATERIAL SEE NOTES material_2 | | PRODUCT SPEC 108-19428 | SIZE 114-32023 | CAGE CODE A200779 |
| FINISH SEE NOTES finish_spec_2 | | APPLICATION SPEC CUSTOMER DRAWING | DRAWING NO C-2170769 | RESTRICTED TO - |
| | | WEIGHT - | SCALE 3:1 | SHEET 1 OF 9 |
| | | | | REV A2 |

THIS DRAWING IS UNPUBLISHED. RELEASED FOR PUBLICATION 20
 © COPYRIGHT 20 BY - ALL RIGHTS RESERVED.

| LOC | | DIST | | REVISIONS | | | |
|-----------|--------------|-------------|--|-----------|---------|----------|---|
| P | LTR | DESCRIPTION | | DATE | DWN | APVD | |
| rev_sym_1 | 16EW-8HBEI11 | | | rev.date | rev.dwn | rev.appr | 1 |
| rev_sym_2 | rev_desc_2 | | | rev.date | rev.dwn | rev.appr | 2 |
| rev_sym_3 | rev_desc_3 | | | rev.date | rev.dwn | rev.appr | 3 |
| rev_sym_4 | rev_desc_4 | | | rev.date | rev.dwn | rev.appr | 4 |



SINGLE SIDE MOUNTING
SCALE 2:1

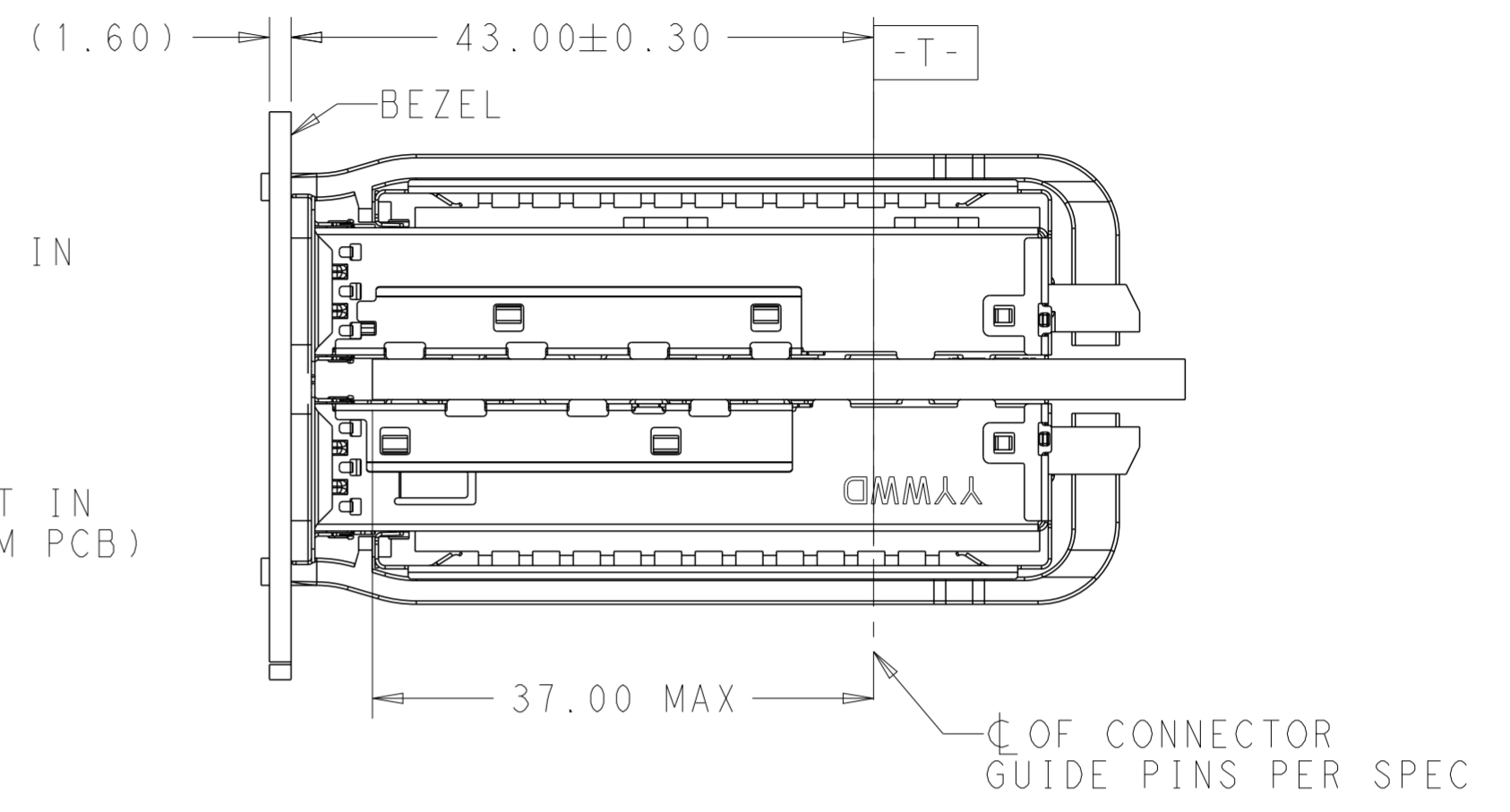
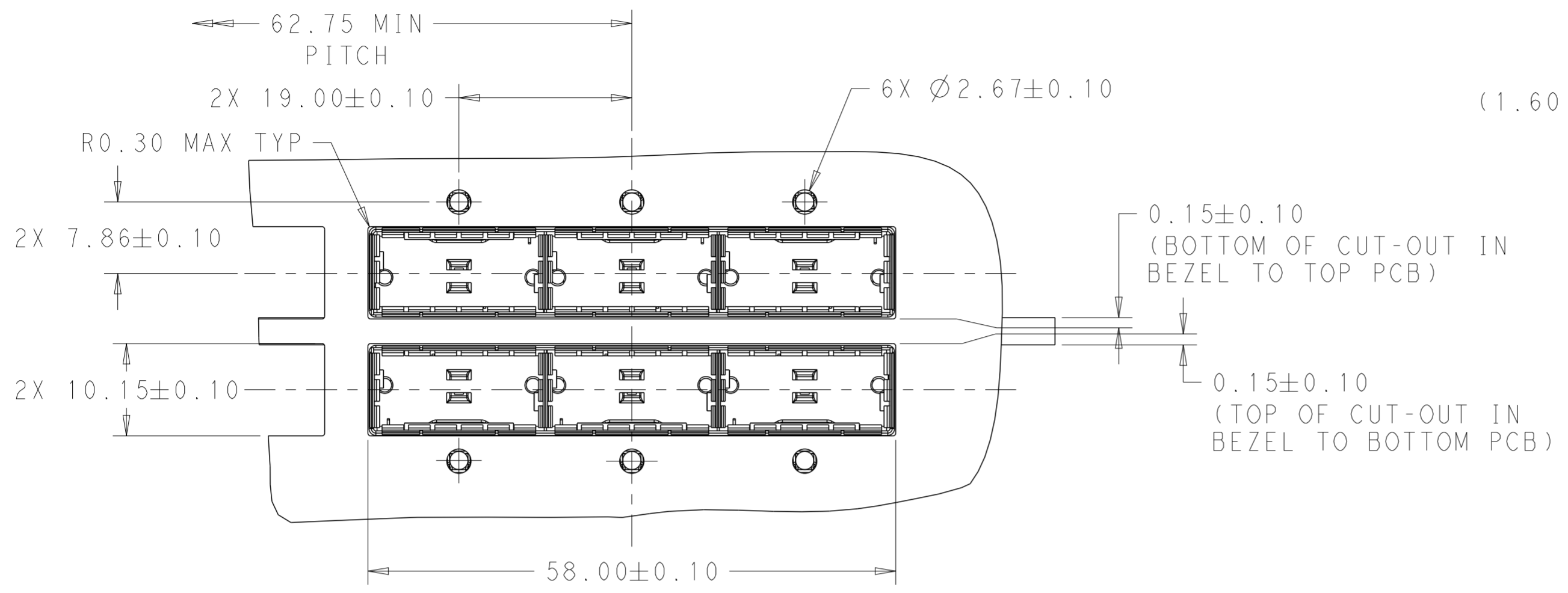


SINGLE SIDE MOUNTING
SCALE 2:1

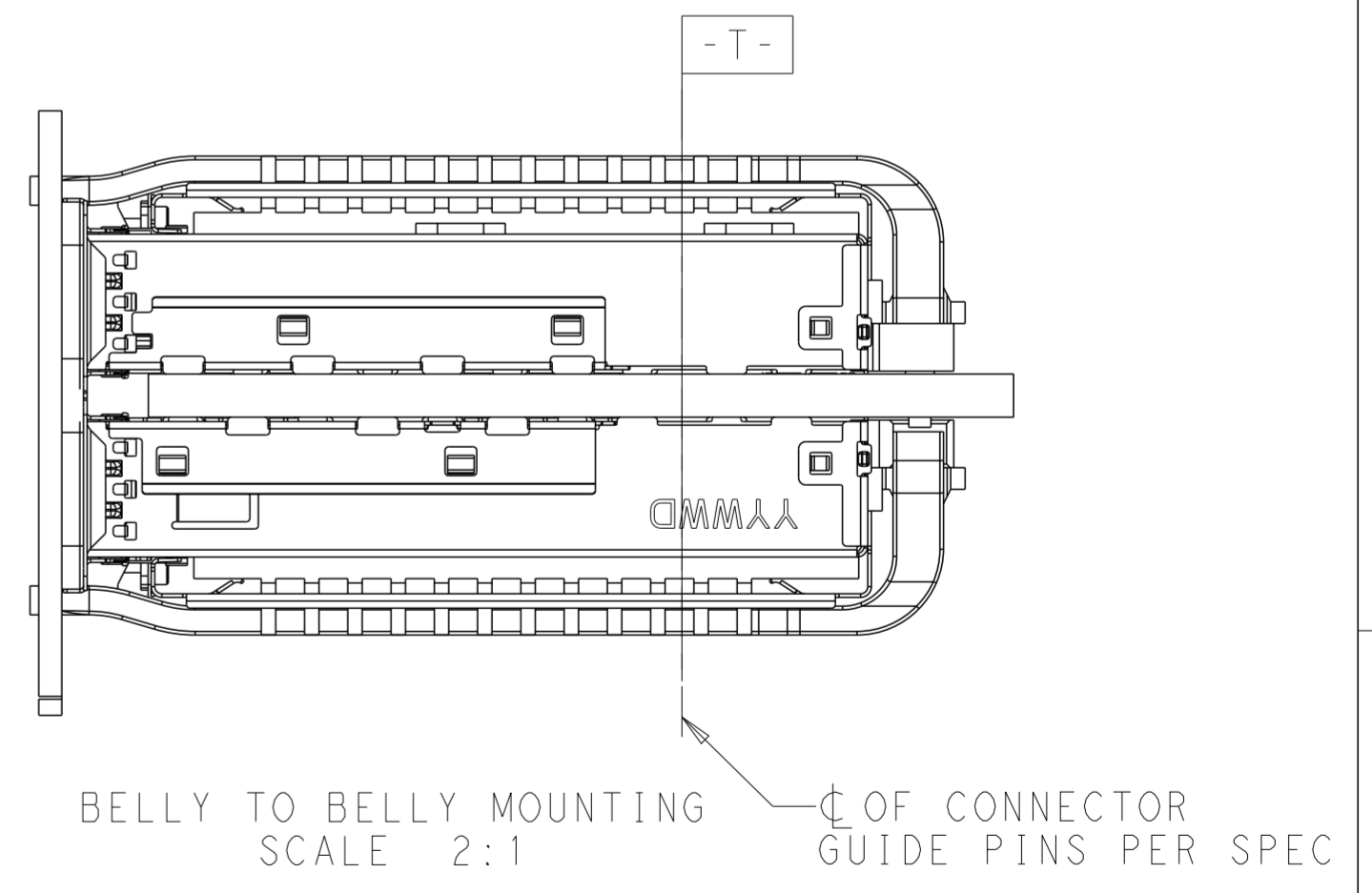
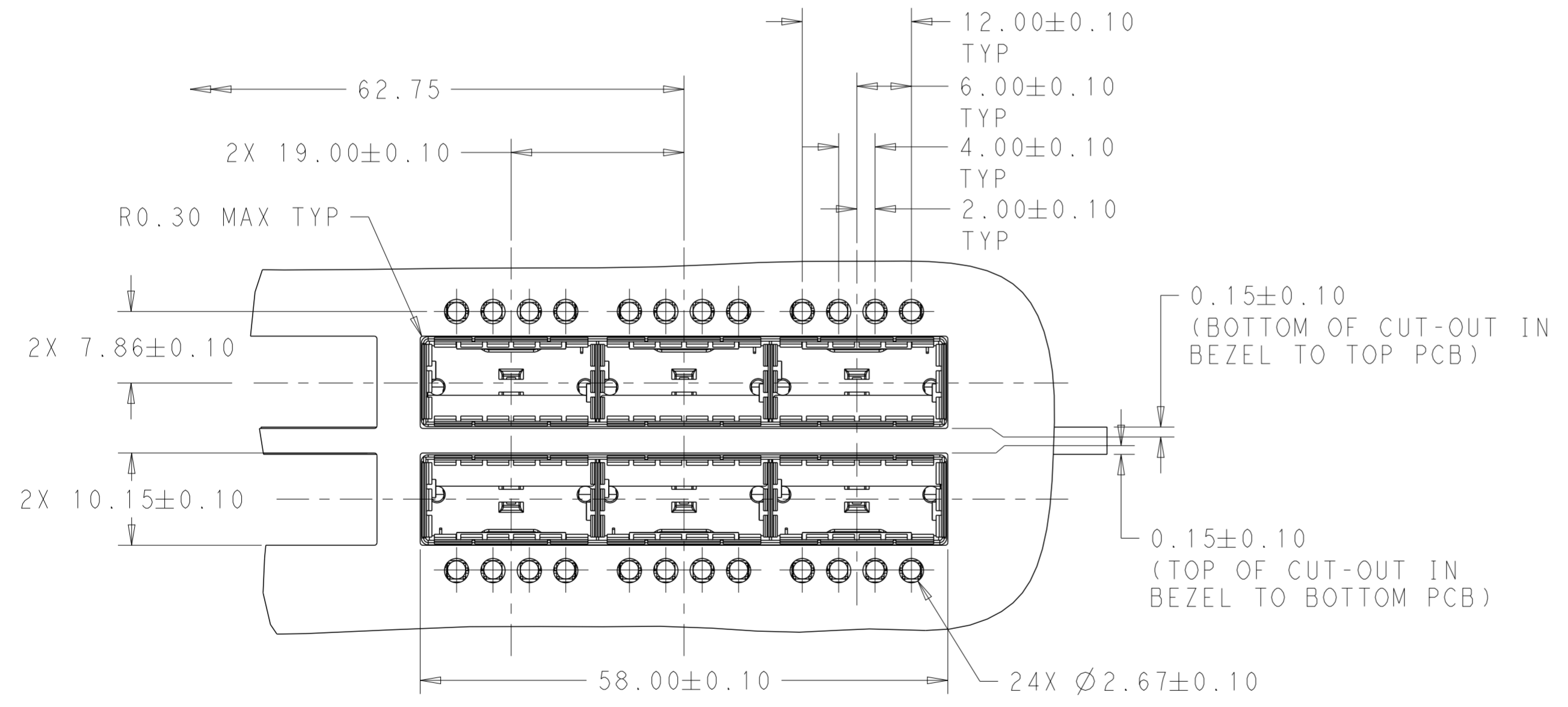
| | | | | |
|--|--|--------------------------------|---|--------------------|
| THIS DRAWING IS A CONTROLLED DOCUMENT. | | DWN BING LIU 23APR2014 | TE Connectivity | |
| DIMENSIONS: mm | | CHK JASON YANG 23APR2014 | | |
| TOLERANCES UNLESS OTHERWISE SPECIFIED: | | APVD SEAN HAN 31DEC2015 | NAME RECEPTACLE CAGE ASSEMBLY WITH HEAT SINKS AND LIGHT PIPES, THRU BEZEL, 1X3, QSFP28 | |
| 0 PLC ± 1 PLC ±0.25 2 PLC ±0.2 3 PLC ± 4 PLC ± ANGLES ± | | PRODUCT SPEC 108-19428 | SIZE A2 | CAGE CODE 00779 |
| MATERIAL SEE NOTES material_2 | | APPLICATION SPEC 114-32023 | DRAWING NO C-2170769 | RESTRICTED TO - |
| FINISH SEE NOTES finish_spec_2 | | WEIGHT - | SCALE 3:1 | SHEET 1 OF 9 |
| | | CUSTOMER DRAWING | REV A2 | |

THIS DRAWING IS UNPUBLISHED. RELEASED FOR PUBLICATION 20
 © COPYRIGHT 20 BY - ALL RIGHTS RESERVED.


| LOC | | DIST | | REVISIONS | | | |
|-----------|--------------|-------------|--|-----------|---------|----------|---|
| P | LTR | DESCRIPTION | | DATE | DWN | APVD | |
| rev_sym_1 | 16EE-8HBEI11 | | | rev.date | rev.dwn | rev.appr | 1 |
| rev_sym_2 | rev_desc_2 | | | rev.date | rev.dwn | rev.appr | 2 |
| rev_sym_3 | rev_desc_3 | | | rev.date | rev.dwn | rev.appr | 3 |
| rev_sym_4 | rev_desc_4 | | | rev.date | rev.dwn | rev.appr | 4 |



BELLY TO BELLY MOUNTING SCALE 2:1

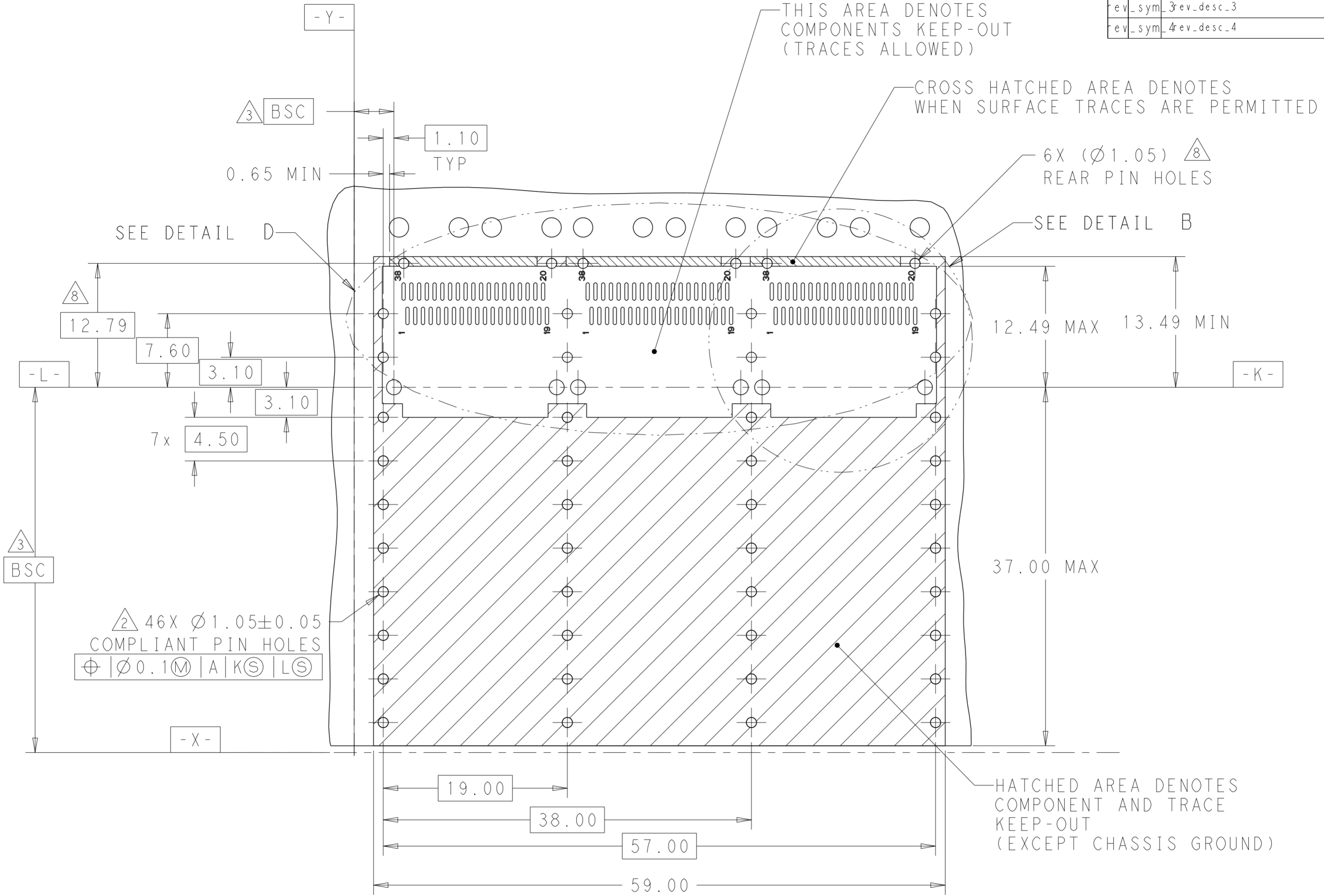


BELLY TO BELLY MOUNTING SCALE 2:1

| | | | |
|--|--|----------------------------|---|
| THIS DRAWING IS A CONTROLLED DOCUMENT. | | DWN BING LIU 23APR2014 |  TE Connectivity |
| | | CHK JASON YANG 23APR2014 | |
| DIMENSIONS: mm | | APVD SEAN HAN 31DEC2015 | NAME RECEPTACLE CAGE ASSEMBLY WITH HEAT SINKS AND LIGHT PIPES, THRU BEZEL, 1X3, QSFP28 |
| TOLERANCES UNLESS OTHERWISE SPECIFIED: 0 PLC ± 1 PLC ±0.25 2 PLC ±0.2 3 PLC ± 4 PLC ± ANGLES ± FINISH | | PRODUCT SPEC 108-19428 | |
| MATERIAL SEE NOTES material_2 | | APPLICATION SPEC 114-32023 | SIZE CAGE CODE DRAWING NO RESTRICTED TO |
| FINISH SEE NOTES finish_spec_2 | | WEIGHT - | A200779C-2170769 |
| | | CUSTOMER DRAWING | SCALE 3:1 SHEET 1 OF 9 REV A2 |

THIS DRAWING IS UNPUBLISHED. RELEASED FOR PUBLICATION 20
 © COPYRIGHT 20 BY - ALL RIGHTS RESERVED.

| LOC | DIST | REVISIONS | | | |
|-----------|------------|-------------|----------|---------|----------|
| P | LTR | DESCRIPTION | DATE | DWN | APVD |
| rev_sym_1 | 16E8H8E11 | | rev.date | rev.dwn | rev.appr |
| rev_sym_2 | rev_desc_2 | | rev.date | rev.dwn | rev.appr |
| rev_sym_3 | rev_desc_3 | | rev.date | rev.dwn | rev.appr |
| rev_sym_4 | rev_desc_4 | | rev.date | rev.dwn | rev.appr |

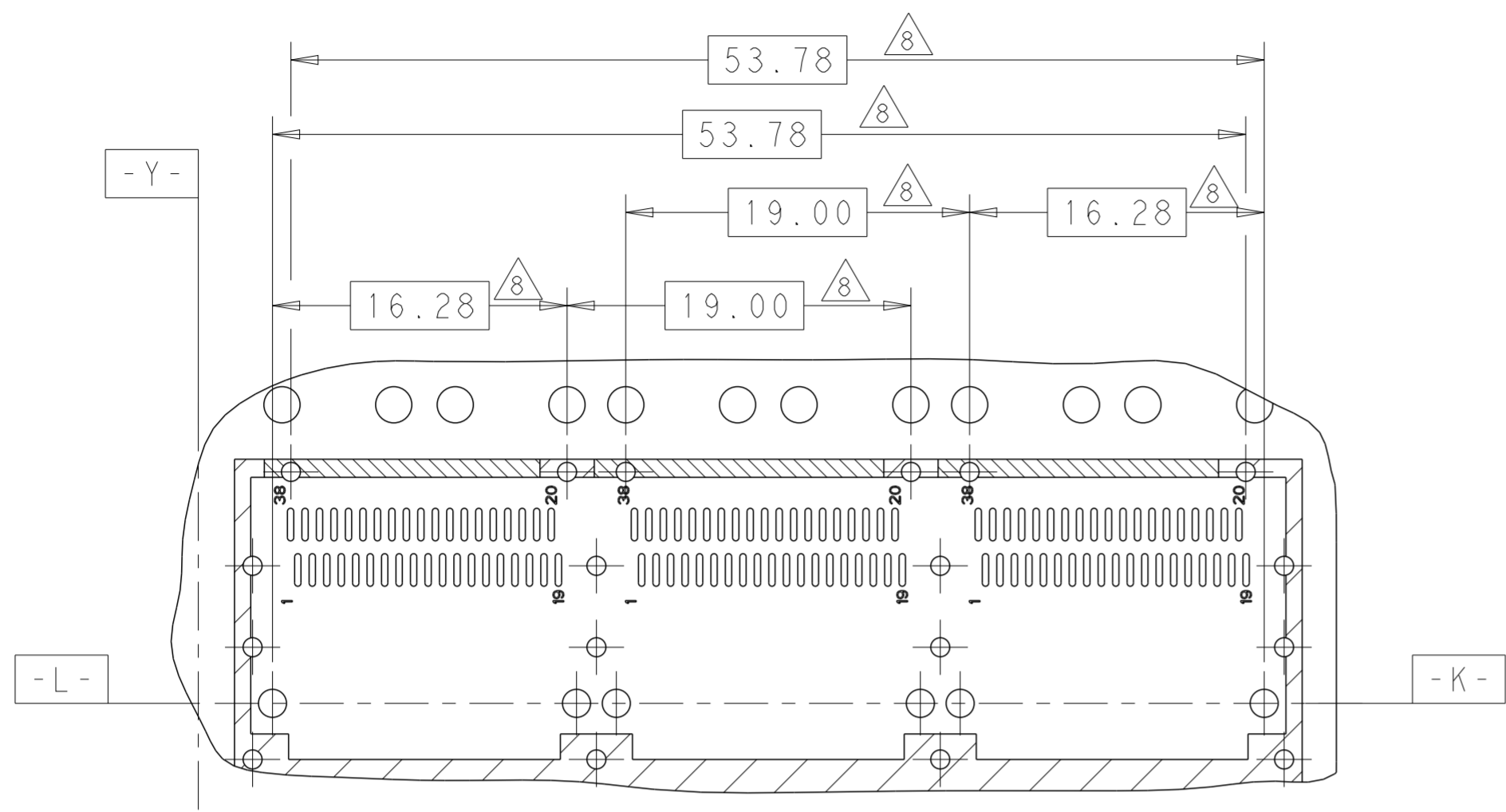


RECOMMENDED PCB LAYOUT
 BELLY TO BELLY TYPE
 PCB TOLERANCE: ±0.05
 SCALE 3:1

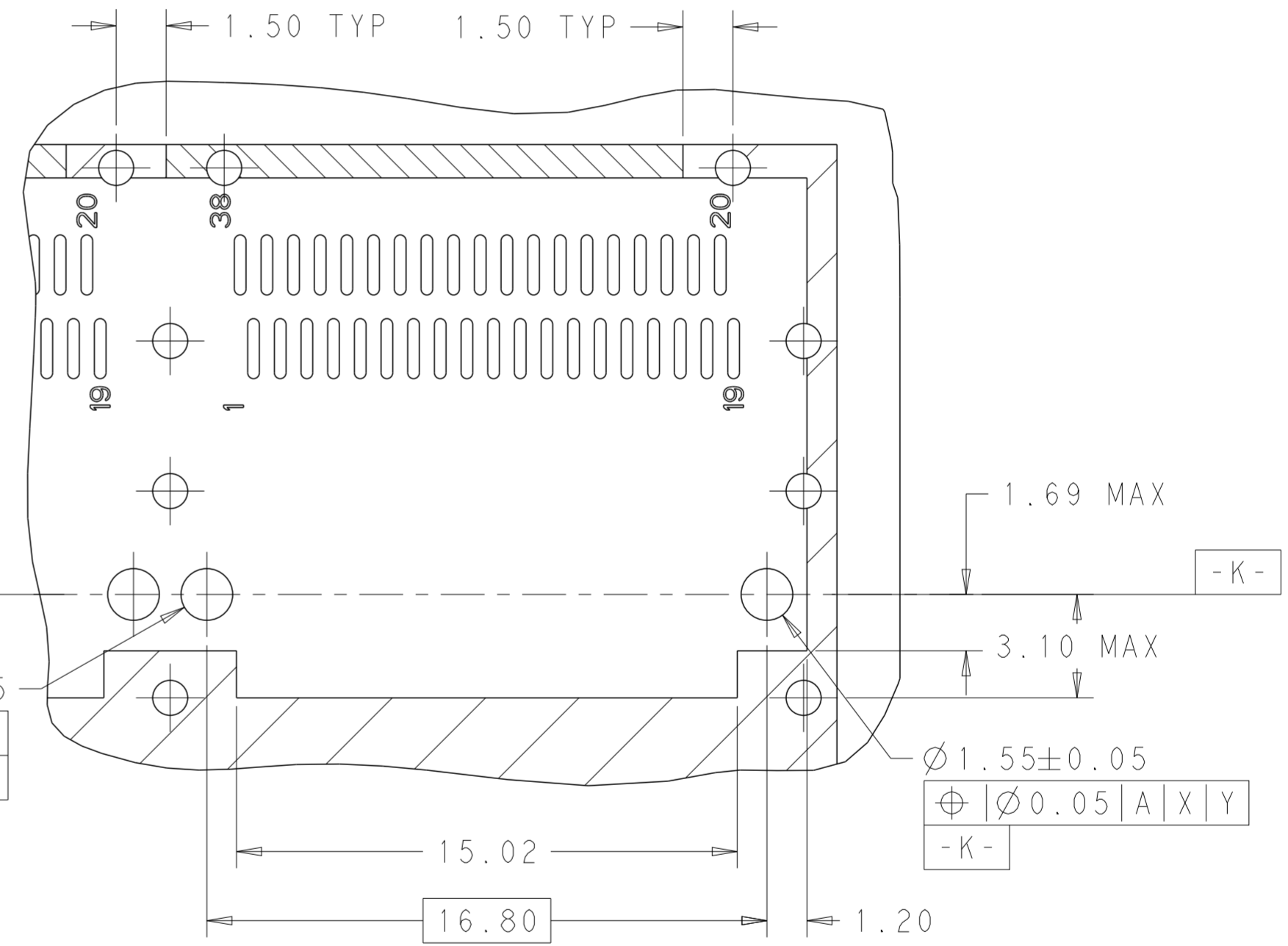
| | | | | |
|--|--|--------------------------------|---|-------------------------------|
| THIS DRAWING IS A CONTROLLED DOCUMENT. | | DWN BING LIU 23APR2014 | STE TE Connectivity | |
| DIMENSIONS: mm | | CHK JASON YANG 23APR2014 | | |
| TOLERANCES UNLESS OTHERWISE SPECIFIED: | | APVD SEAN HAN 31DEC2015 | NAME RECEPTACLE CAGE ASSEMBLY WITH HEAT SINKS AND LIGHT PIPES, THRU BEZEL, 1X3, QSFP28 | |
| 0 PLC ± 1 PLC ±0.25 2 PLC ±0.2 3 PLC ± 4 PLC ± ANGLES ± | | PRODUCT SPEC 108-19428 | SIZE A2 | |
| MATERIAL SEE NOTES material_2 | | APPLICATION SPEC 114-32023 | CAGE CODE 00779 | DRAWING NO C-2170769 |
| FINISH SEE NOTES finish_spec_2 | | WEIGHT - | RESTRICTED TO - | SCALE 3:1 SHEET 1 OF 9 REV A2 |
| CUSTOMER DRAWING | | | | |

THIS DRAWING IS UNPUBLISHED. RELEASED FOR PUBLICATION 20
 © COPYRIGHT 20 BY - ALL RIGHTS RESERVED.

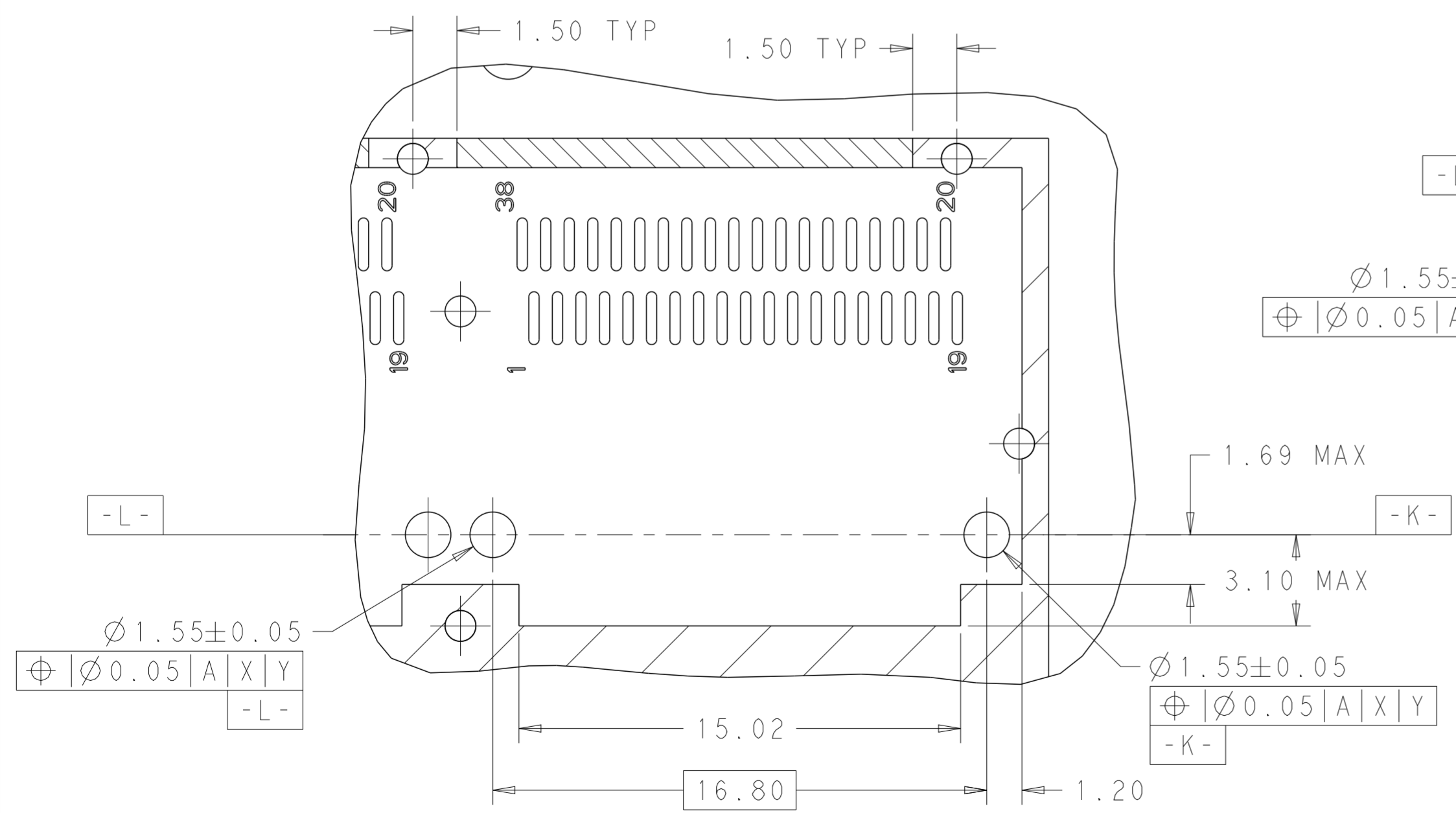
| LOC | | DIST | | REVISIONS | | | |
|-----------|--------------|-------------|------|-----------|---------|----------|---|
| P | LTR | DESCRIPTION | DATE | DWN | APVD | | |
| rev_sym_1 | 16EE-8HBEI11 | | | rev.dater | rev.dwn | rev.appr | 1 |
| rev_sym_2 | rev_desc_2 | | | rev.dater | rev.dwn | rev.appr | 2 |
| rev_sym_3 | rev_desc_3 | | | rev.dater | rev.dwn | rev.appr | 3 |
| rev_sym_4 | rev_desc_4 | | | rev.dater | rev.dwn | rev.appr | 4 |




DETAIL D
SCALE 3:1



DETAIL B
SCALE 6:1

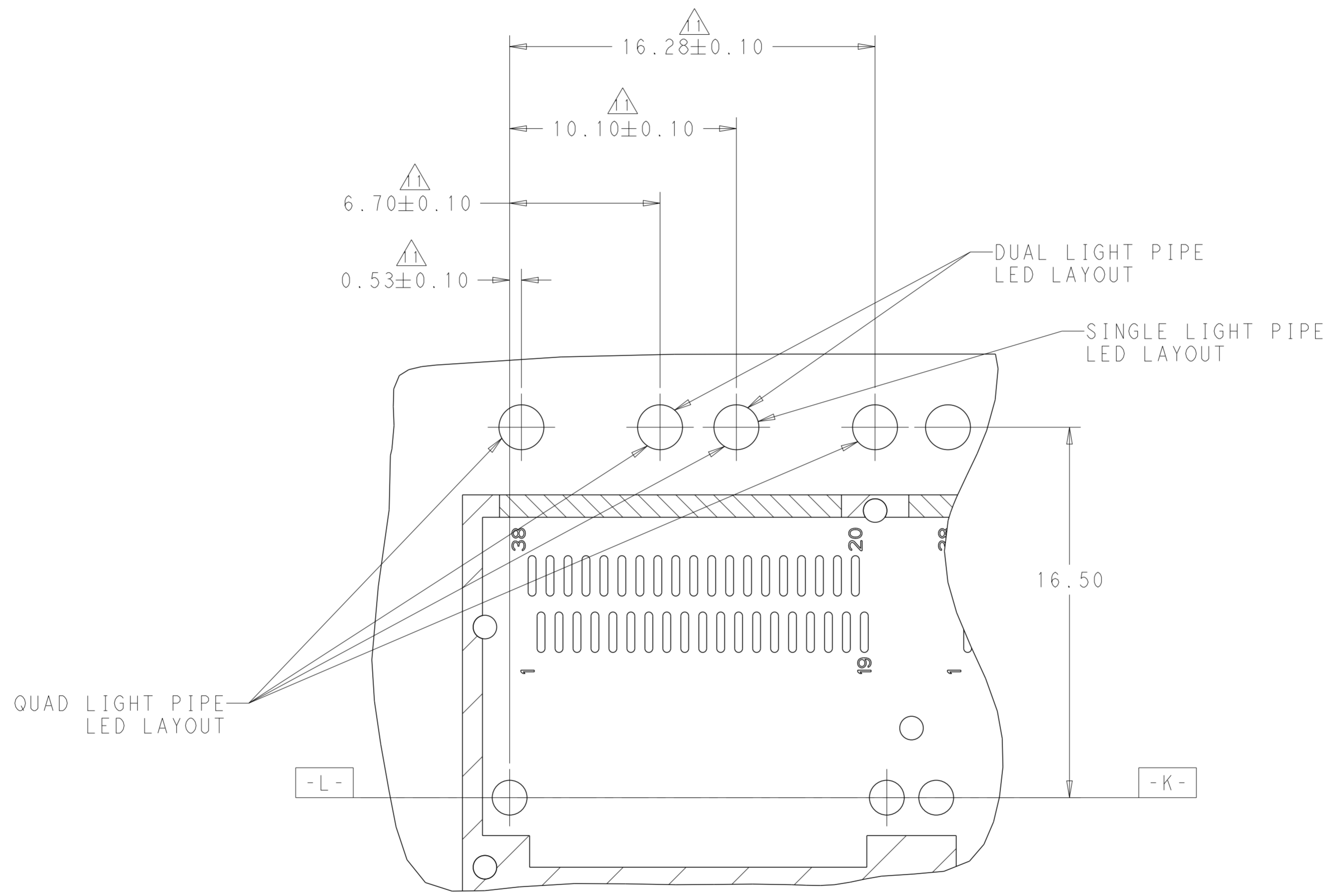


DETAIL A
SCALE 6:1

| | | | |
|--|--|--------------------------------------|---|
| THIS DRAWING IS A CONTROLLED DOCUMENT. | | DWN BING LIU 23APR2014 |  TE Connectivity |
| | | CHK JASON YANG 23APR2014 | |
| | | APVD SEAN HAN 31DEC2015 | NAME RECEPTACLE CAGE ASSEMBLY WITH HEAT SINKS AND LIGHT PIPES, THRU BEZEL, 1X3, QSFP28 |
| DIMENSIONS: mm | | PRODUCT SPEC 108-19428 | SIZE A2 |
| TOLERANCES UNLESS OTHERWISE SPECIFIED: 0 PLC ± 1 PLC ±0.25 2 PLC ±0.2 3 PLC ± 4 PLC ± ANGLES ± | | APPLICATION SPEC 114-32023 | CAGE CODE A200779 |
| MATERIAL SEE NOTES material_2 | | FINISH SEE NOTES finish_spec_2 | DRAWING NO C-2170769 |
| | | WEIGHT - | RESTRICTED TO - |
| | | CUSTOMER DRAWING | SCALE 3:1 SHEET 1 OF 9 REV A2 |

THIS DRAWING IS UNPUBLISHED. RELEASED FOR PUBLICATION 20
 © COPYRIGHT 20 BY - ALL RIGHTS RESERVED.

| LOC | | DIST | | REVISIONS | | | |
|-----------|--------------|-------------|----------|-----------|----------|----|--|
| P | LTR | DESCRIPTION | DATE | DWN | APVD | | |
| rev_sym_1 | 16EE-8HBEI11 | | rev.date | rev.dwn | rev.appr | .1 | |
| rev_sym_2 | rev_desc_2 | | rev.date | rev.dwn | rev.appr | .2 | |
| rev_sym_3 | rev_desc_3 | | rev.date | rev.dwn | rev.appr | .3 | |
| rev_sym_4 | rev_desc_4 | | rev.date | rev.dwn | rev.appr | .4 | |



DETAIL E
SCALE 6:1

| | | | |
|--|--|--------------------------------|---|
| THIS DRAWING IS A CONTROLLED DOCUMENT. | | DWN BING LIU 23APR2014 | STE TE Connectivity |
| | | CHK JASON YANG 23APR2014 | |
| DIMENSIONS: mm | | APVD SEAN HAN 31DEC2015 | NAME RECEPTACLE CAGE ASSEMBLY WITH HEAT SINKS AND LIGHT PIPES, THRU BEZEL, 1X3, QSFP28 |
| TOLERANCES UNLESS OTHERWISE SPECIFIED: 0 PLC ± 1 PLC ±0.25 2 PLC ±0.2 3 PLC ± 4 PLC ± ANGLES ± | | PRODUCT SPEC 108-19428 | |
| MATERIAL SEE NOTES material_2 | | APPLICATION SPEC 114-32023 | SIZE A2 |
| FINISH SEE NOTES finish_spec_2 | | WEIGHT - | CAGE CODE C-2170769 |
| | | CUSTOMER DRAWING | RESTRICTED TO - |
| | | SCALE 3:1 | SHEET 1 OF 9 REV A2 |