

4

3

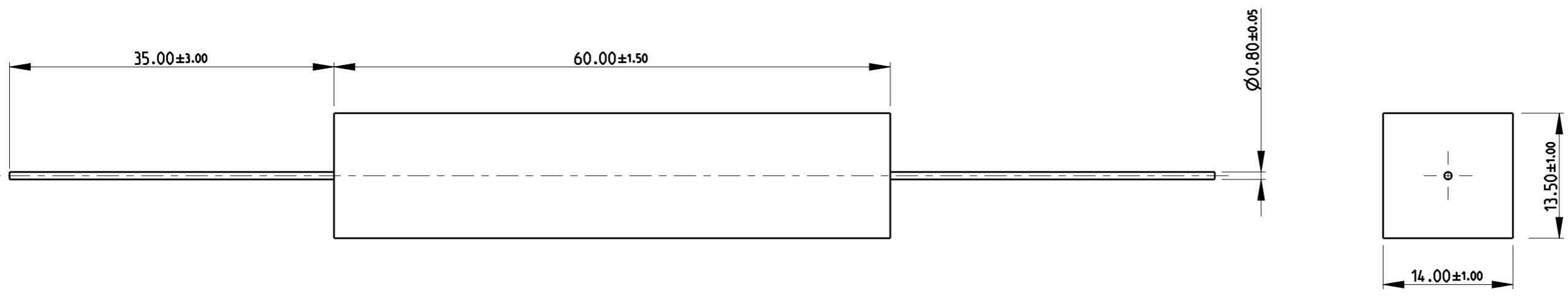
2

1

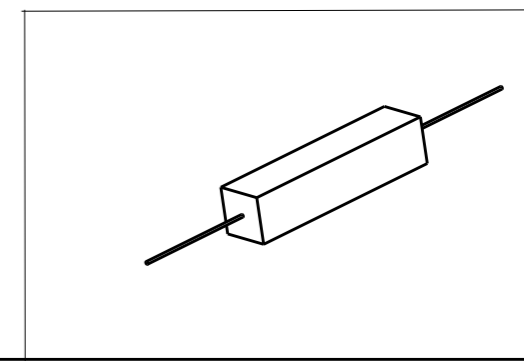
THIS DRAWING IS UNPUBLISHED. RELEASED FOR PUBLICATION 2009  
 © COPYRIGHT 2009 BY - ALL RIGHTS RESERVED.


LOC	DIST	REVISIONS			
P	LTR	DESCRIPTION	DATE	DWN	APVD
E	B	BA	NEW RELEASE	18JUL2012	KR TN

FOR FURTHER INFORMATION SEE DATA SHEET FOR HIGH POWER RESISTORS OF SQ SERIES



RoHS Compliant



THIS DRAWING IS A CONTROLLED DOCUMENT.		DWN 18JUL2012 RAGHAVENDRA K	 TE Connectivity	
DIMENSIONS: mm		CHK 18JUL2012 ALLAN P		
TOLERANCES UNLESS OTHERWISE SPECIFIED:		APVD 18JUL2012 TONY N	NAME HIGH POWER RESISTORS SERIES SQP 20W	
0 PLC ±0.2		PRODUCT SPEC	-	
1 PLC ±0.1		APPLICATION SPEC	-	
2 PLC ±		WEIGHT	-	
3 PLC ±		SIZE	CAGE CODE	DRAWING NO
4 PLC ±		A3	00779	C-2176125
ANGLES ±5°		RESTRICTED TO		
MATERIAL -		-		
FINISH -		-		
		CUSTOMER DRAWING		SCALE 1:1
		SHEET 1 OF 1		REV BA