

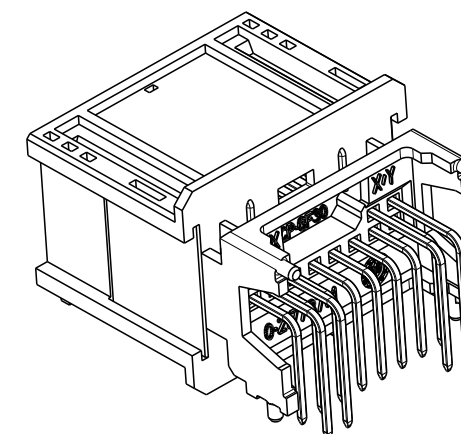
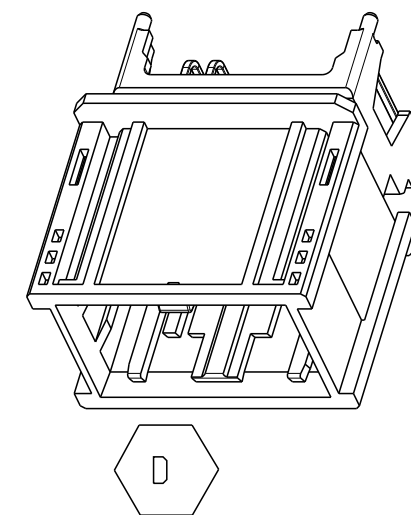
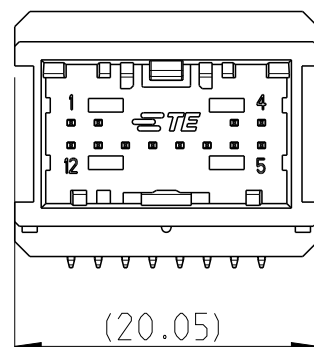
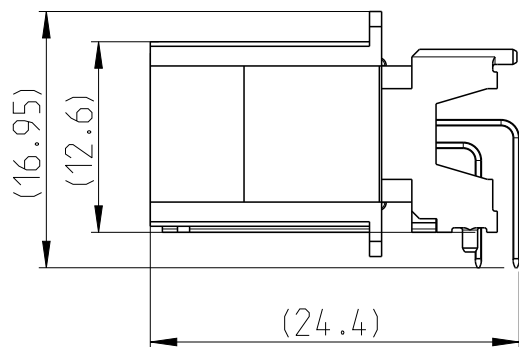
LOC
A1

DIST
-


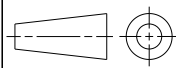
REVISIONS

P	LTR	DESCRIPTION	DATE	DWN	APVD
	B	INTERFACE UPDATE	12JUN2012	N.L.	N.L.
	C	pin cavity change, side wall thickening	13NOV2015	Beck	Beck
	C1	CAD model adapted to real part	02AUG2016	BREN	BECK
	D	modification on coding ribs	100KT2017	Beck	Beck

**FOR ANY PRODUCT AND SAMPELING
RELEVANT REQUIREMENT PLEASE REFER TO:
(C)-114-94160
"PLATFORM PRODUCT DRAWING, HEADERS
FOR NANO-MQS MARKET SERIES"**



**FOR EXAMPLE SHOWN IS
0-2177370-1**

THIS DRAWING IS A CONTROLLED DOCUMENT.		DWN NEUEBRT, L.	22DEC 2011	 TE Connectivity	
DIMENSIONS: mm		CHK FRANK, O.	22DEC 2011		
TOLERANCES UNLESS OTHERWISE SPECIFIED:		APVD SPIELVOGEL, M.	-	NAME 12POS.TAB 0.5X0.4,HEADER ASSY 90 DEG. THT	
		0 PLC ±.1 1 PLC ±.1 2 PLC ±.1 3 PLC ±.1 4 PLC ±.1 ANGLES ±1°		PRODUCT SPEC -	
MATERIAL -		FINISH -		APPLICATION SPEC -	
		WEIGHT -		SIZE A3	CAGE CODE 00779
		CUSTOMER DRAWING		DRAWING NO C-2177370	RESTRICTED TO -
		SCALE 2:1		SHEET 1 OF 1	REV D