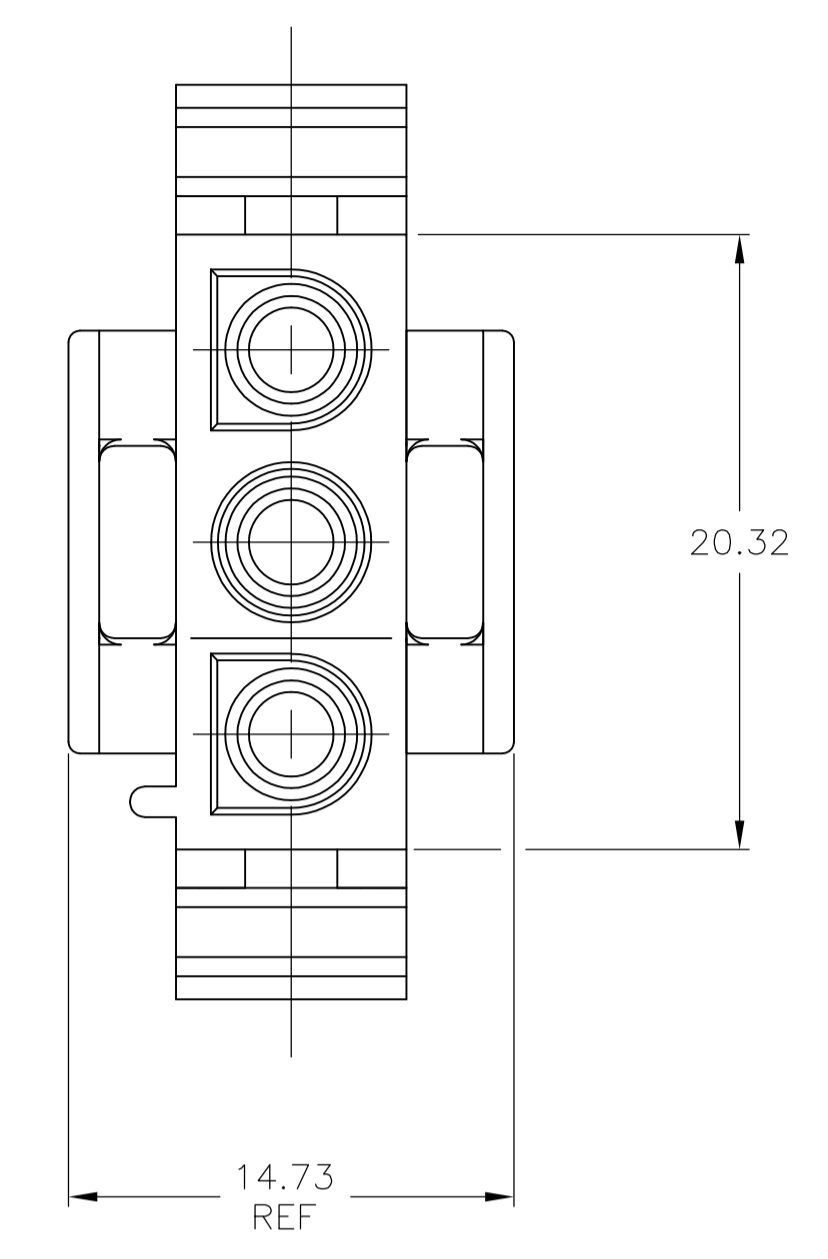
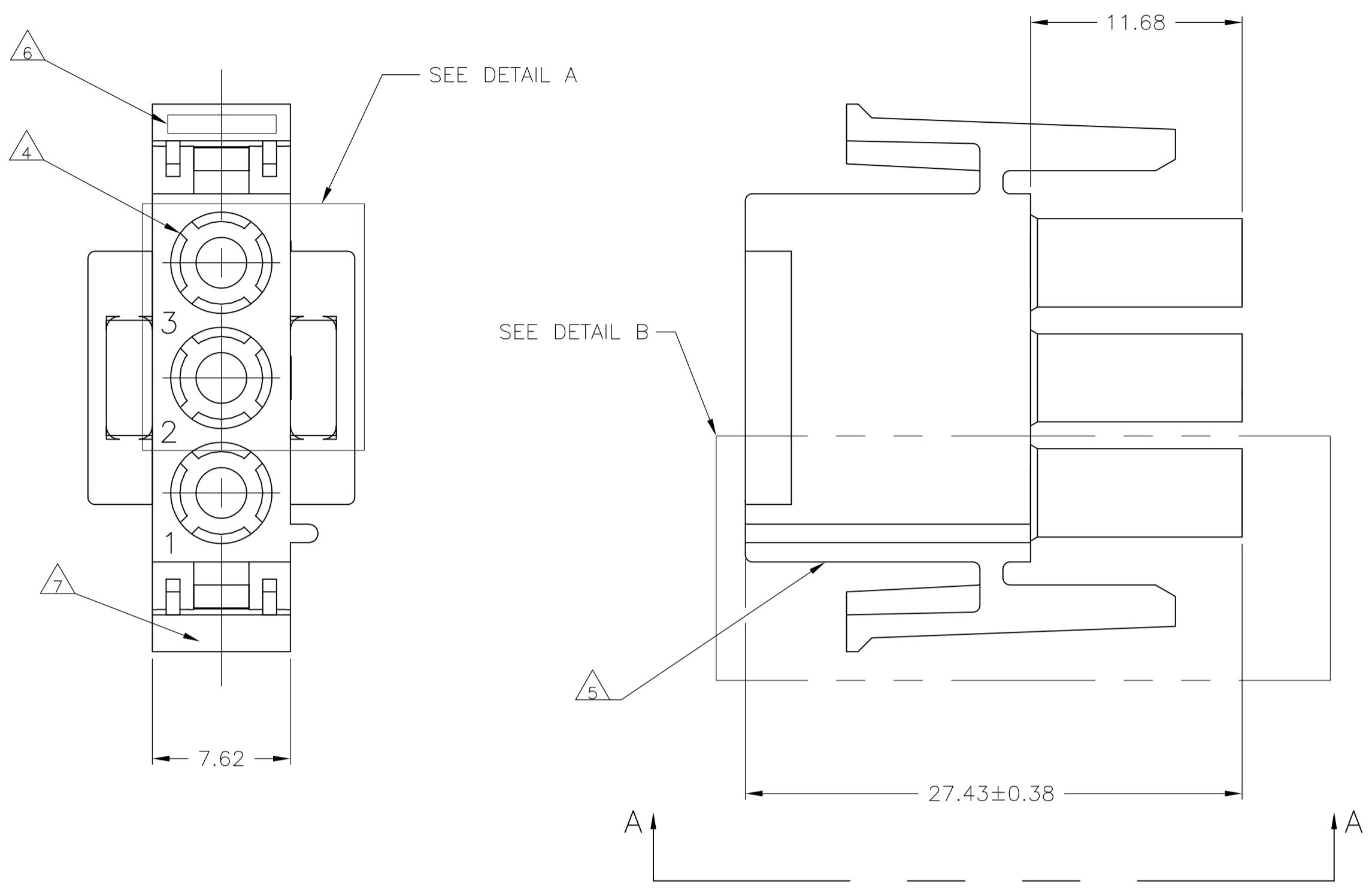
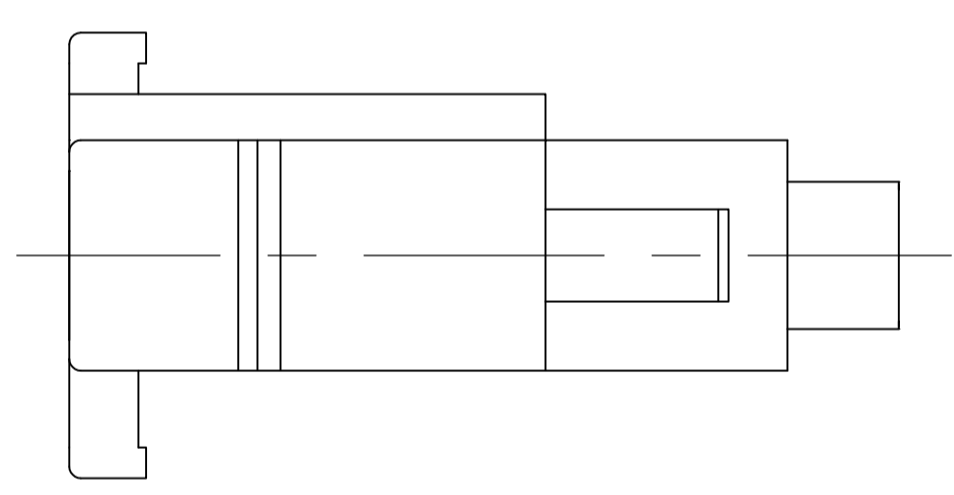


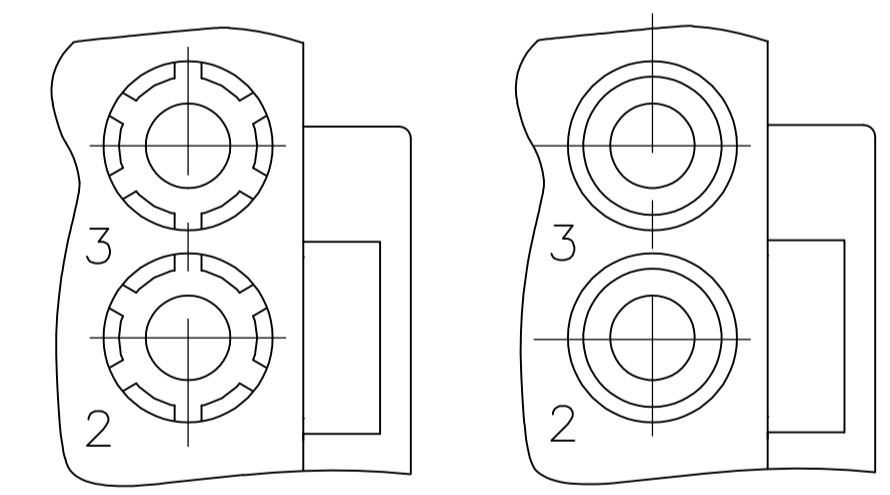
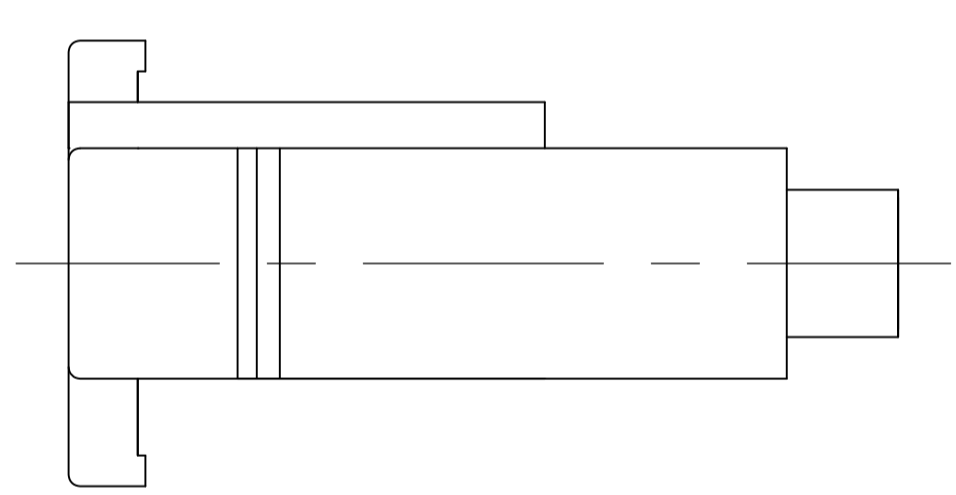
LOC	DIST	REVISIONS				
CM	00	REV	DESCRIPTION	DATE	BY	APPV
		A3	REVISED PER ECR-17-015922	07NOV2017	BDA	KR



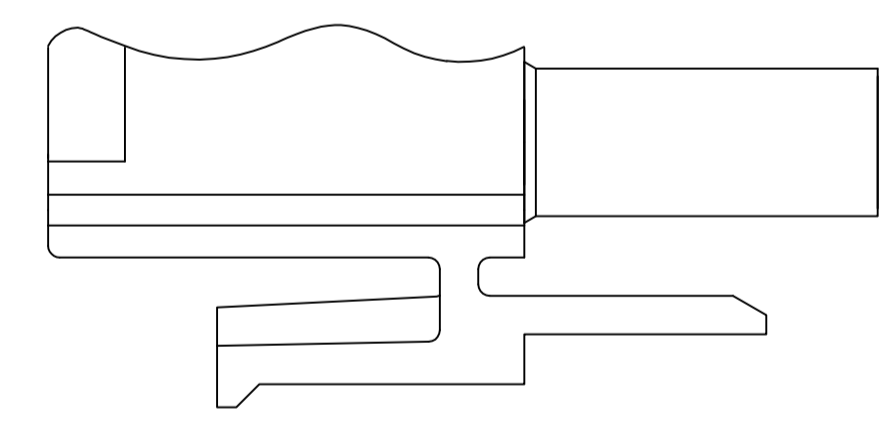
1. MATES WITH APPROPRIATE UNIVERSAL MATE-N-LOK™ CAP OR HEADER.
2. SMALL NICKS ARE PERMITTED ON THE CIRCUIT TOWERS WHICH COULD INCREASE THE INITIAL HOUSING MATING FORCE BY UP TO 4.4 NEWTONS [1.0 LBS]. NO INDIVIDUAL NICKED TOWER SHALL INCREASE THIS FORCE BY OVER 2.2 NEWTONS [.5 LBS].
3. DIMENSIONS SHOWN REPRESENT PRODUCT IN DRY, AS MOLDED, CONDITION. ADDITIONAL 2% GROWTH DUE TO SUBSEQUENT MOISTURE ABSORPTION MAY OCCUR AND SHOULD BE ACCOUNTED FOR.
4. FOUR RIBS EQUALLY SPACED, NO SPECIFIC ORIENTATION. NO RIBS OR SIX RIBS EQUALLY SPACED, NO SPECIFIC ORIENTATION, OPTIONAL.
5. UNDERWRITERS RECOGNIZED COMPONENT LOGO TO BE LOCATED ONCE EACH ON SIDE OF HOUSING.
6. TRADEMARK LOCATION (AMP OR TE CONNECTIVITY).
7. MANUFACTURING LOCATION ID (OPTIONAL).
8. MATERIAL CORRESPONDING TO THE REQUIREMENT OF IEC60335-1 (INCL. GLOW WIRE TEST 750° C WITHOUT FLAME)
9. PRELIMINARY PART NOT RELEASED FOR PRODUCTION.
10. NO LATCH WINDOW PRESENT.
11. LATCH WINDOW PRESENT.



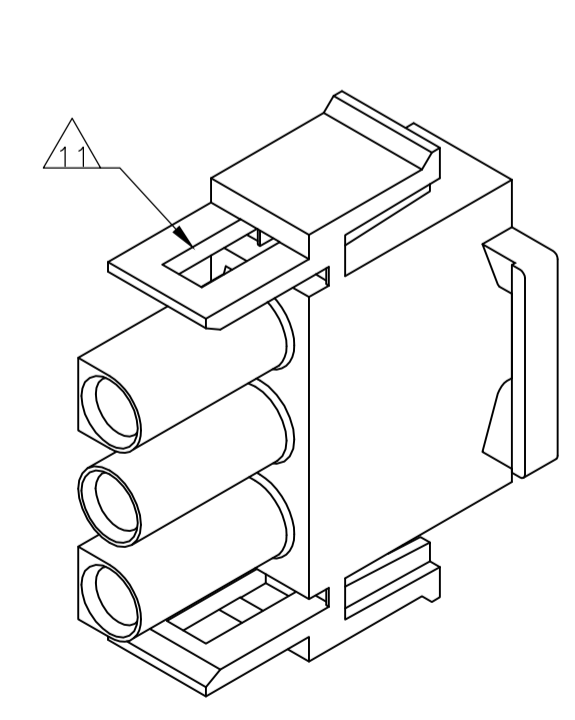
VIEW A-A
2178473-3 ONLY



DETAIL A
OPTIONAL CONSTRUCTION



DETAIL B
2178473-3 ONLY



2178473-3

MM	IN
27.43	1.080
20.32	.800
14.73	.580
11.68	.460
7.62	.300
0.38	.015
0.13	.005

CONVERSION TABLE

REMARKS	MATERIAL	COLOR	PART NUMBER
8/11	PA66 UL94-V0 GW1750°C (NO FLAME)	NATURAL	2178473-3
8/10	PA66 UL94-V0 GW1750°C (NO FLAME)	NATURAL	2178473-2
9/10	PA6 UL94-V0	NATURAL	2178473-1

THIS DRAWING IS A CONTROLLED DOCUMENT.

DIMENSIONS: mm	TOLERANCES UNLESS OTHERWISE SPECIFIED:	0. PLC ± -	1. PLC ± -	2. PLC ± 0.13 [.005]	3. PLC ± -	4. PLC ± -	ANGLES ± 0°30'	FINISH -
----------------	--	------------	------------	----------------------	------------	------------	----------------	----------

MATERIAL SEE TABLE	FINISH -	WEIGHT	SIZE	CAGE CODE	DRAWING NO	RESTRICTED TO
			A1	00779	2178473	-

CUSTOMER DRAWING SCALE 4:1 SHEET 1 OF 1 REV A3

STE TE Connectivity
PLUG, 3 CIRCUIT, UNIVERSAL MATE-N-LOK
108-1031
114-1010