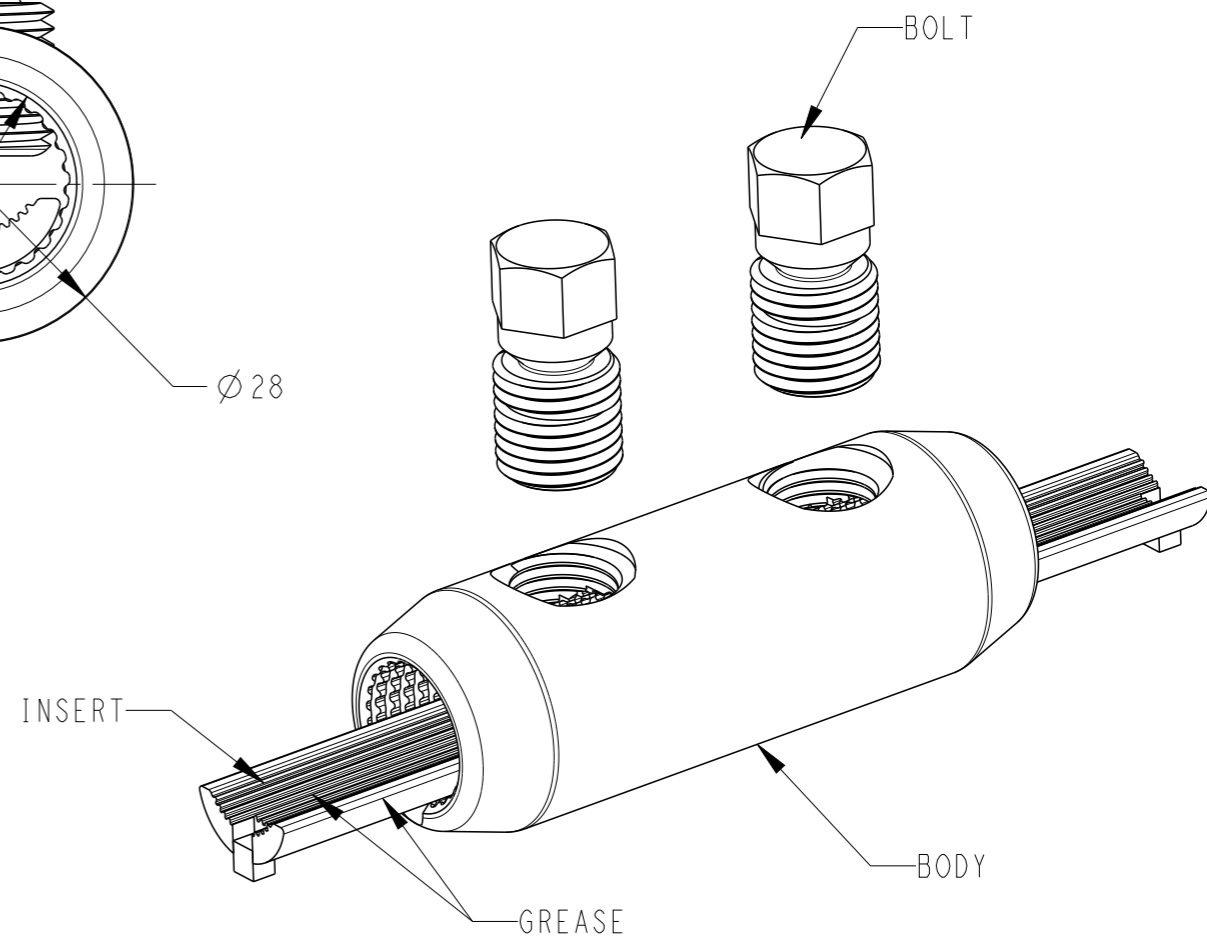
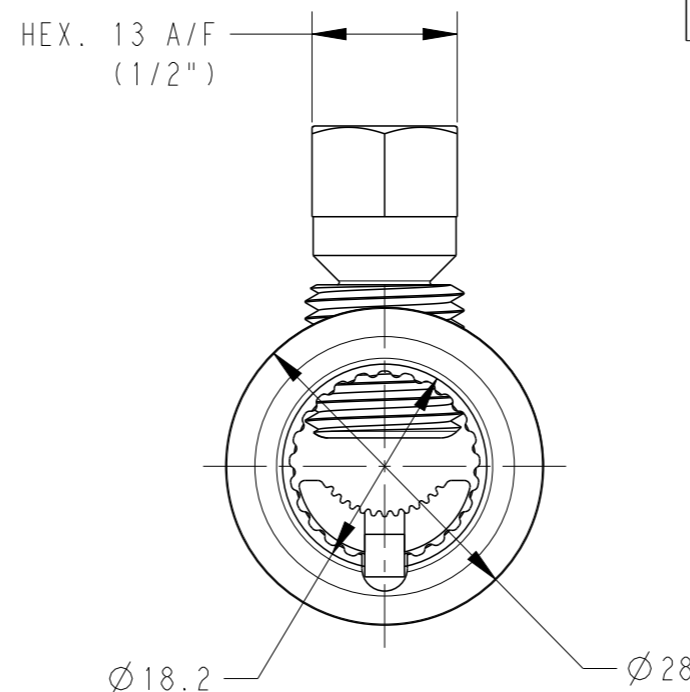
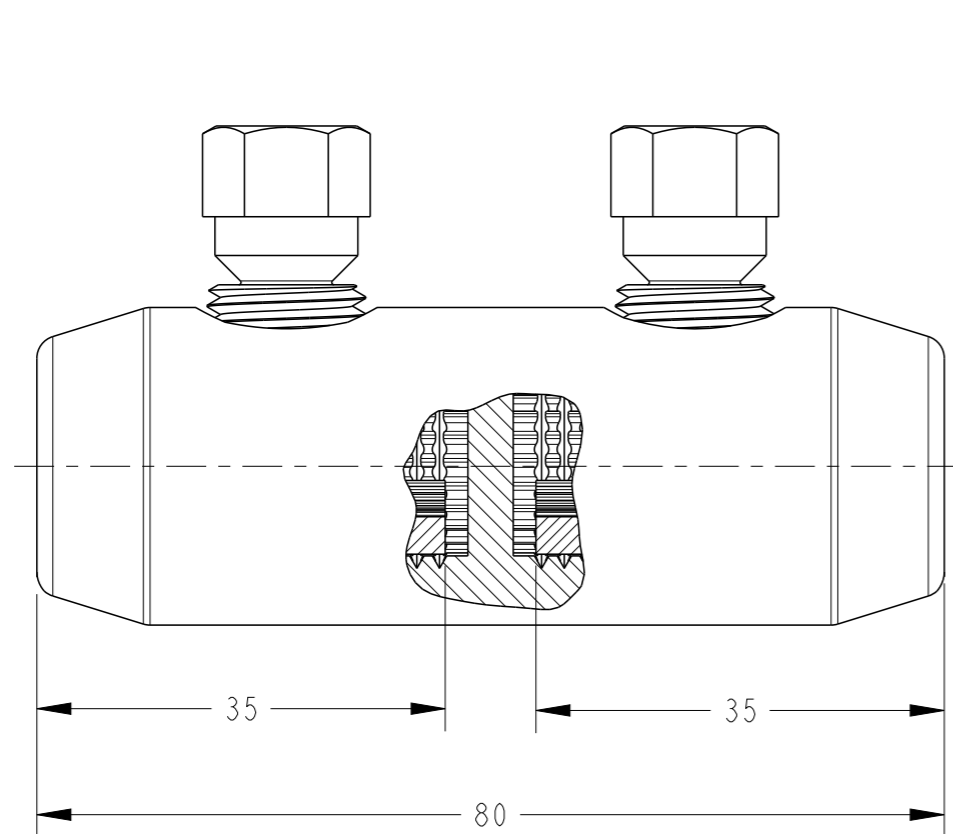


REVISIONS

P	LTR	DESCRIPTION	DATE	DWN	APVD
	A	INITIAL RELEASE	18DEC2020	RS	NA



TCPN	DESCRIPTION	CROSS SECTION (mm ²)
2197711-1	BSMB-35/150-CN	35-150

THIS DRAWING IS A CONTROLLED DOCUMENT.		DWN	RAVI.S	18DEC2020			
DIMENSIONS: mm		CHK	L. JONATHAN	18DEC2020			
		APVD	N. ALMEIDA	18DEC2020			
TOLERANCES UNLESS OTHERWISE SPECIFIED:		PRODUCT SPEC			NAME		
0 PLC ±-		-			BSMB-35/150-CN		
1 PLC ±-		APPLICATION SPEC			SIZE		
2 PLC ±-		-			CAGE CODE		
3 PLC ±-		-			DRAWING NO		
4 PLC ±-		-			RESTRICTED TO		
ANGLES ±-		-			-		
FINISH		WEIGHT			-		
-		110 g			-		
-		CUSTOMER DRAWING			SCALE		
					NTS		
					SHEET 1 OF 1		
					REV A		