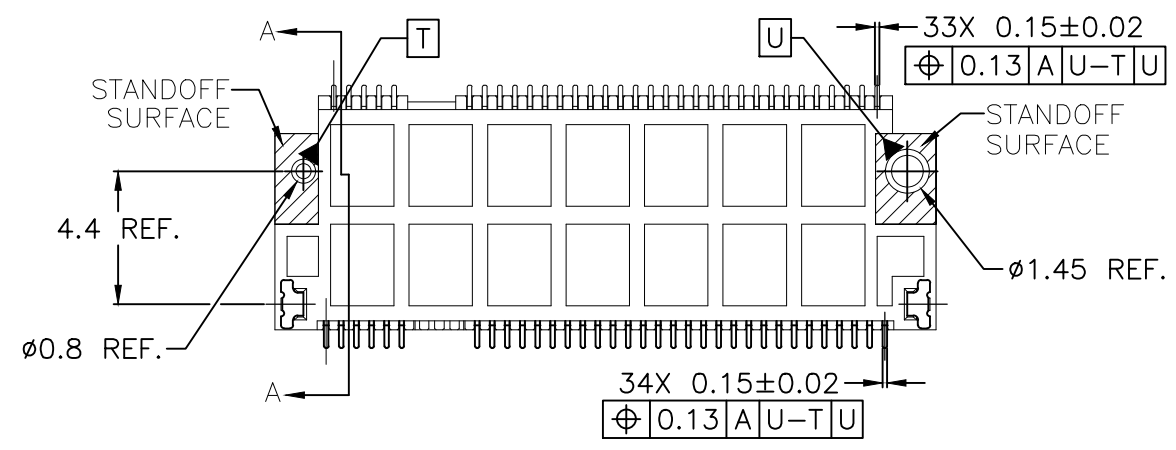
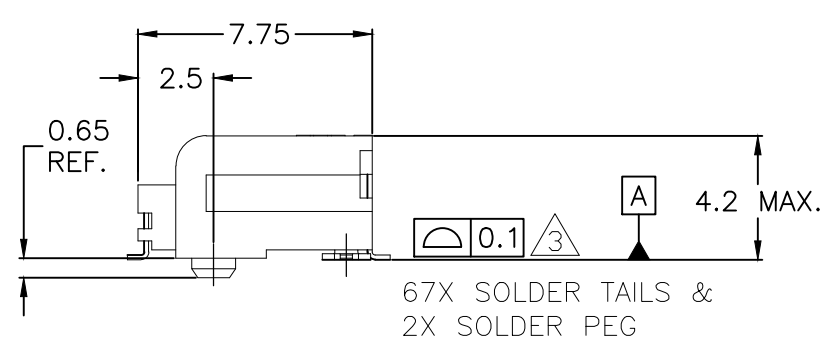
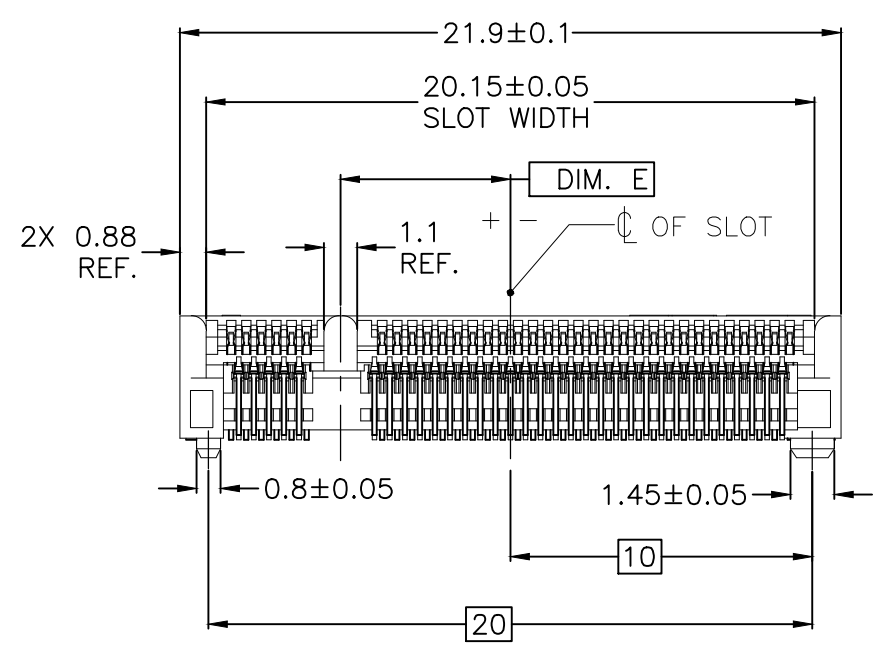
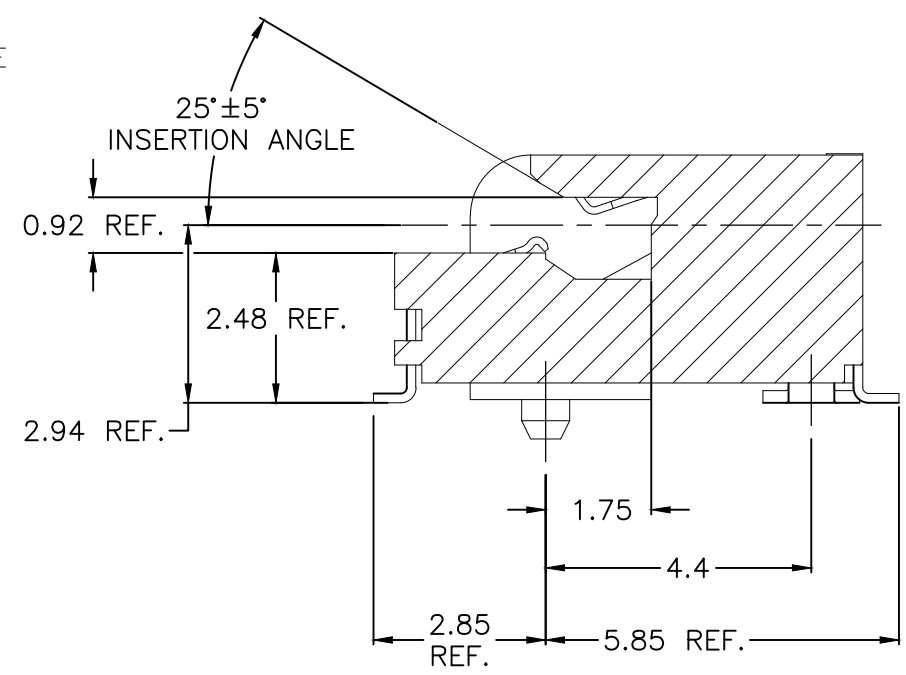
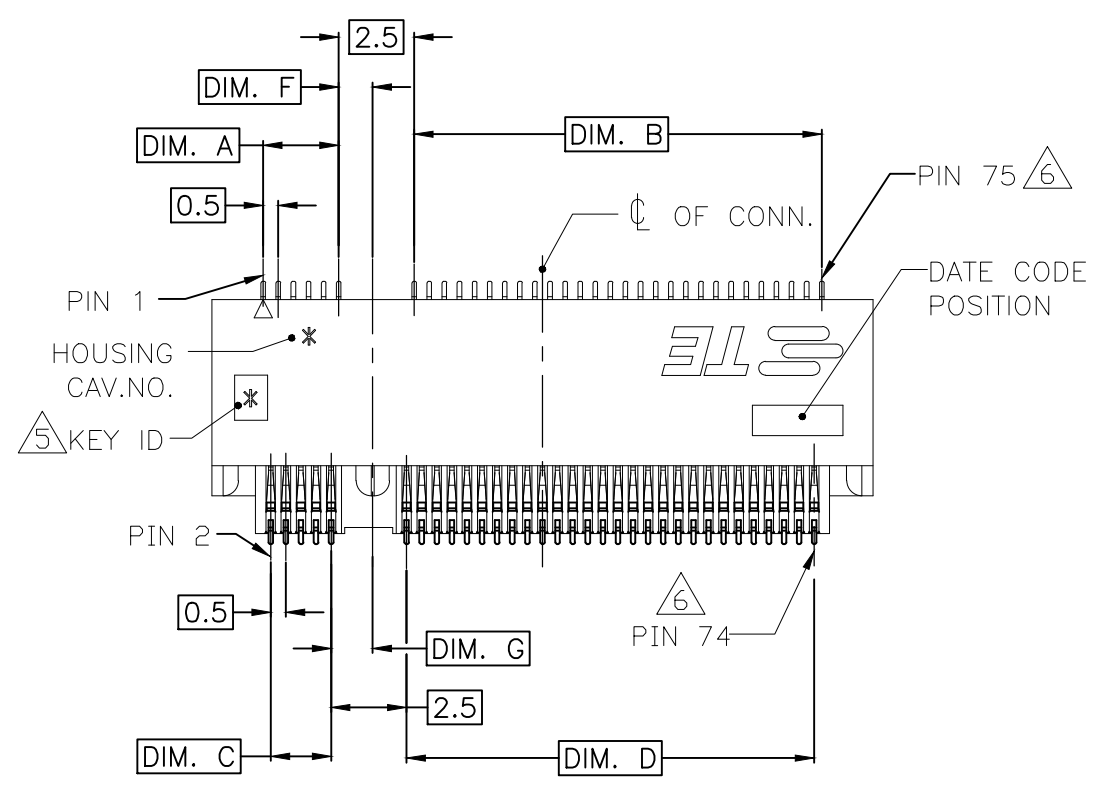



THIS DRAWING IS UNPUBLISHED. RELEASED FOR PUBLICATION
 © COPYRIGHT - By - ALL RIGHTS RESERVED.

REVISIONS				
P	LTR	DESCRIPTION	DATE	DWN APVD
	B3	REVISED PER ECR-19-000415	27SEP2019	E.Z W.H



- NOTES:
- MATERIAL:
 - HOUSING : HIGH TEMPERATURE THERMOPLASTIC UL94V-0, COLOR: BLACK.
 - CONTACT: COPPER ALLOY.
 - SOLDER PEG: STAINLESS STEEL.
 - FINISH:
 - CONTACT: UNDERCOAT NICKEL 50u" min. ALL OVER; MATING AREA: GOLD PLATING, THE THICKNESS SEE TABLE LIST; SOLDERABLE AREA: GOLDFLASH.
 - SOLDER PEG: UNDERCOAT: NICKEL 50u" min. ALL OVER SOLDERABLE AREA: MATTE TIN 100u" min.
 - COPLANARITY: 0.10mm MAX.(BEFORE SOLDERING).
 - ACCEPTED MODULE BASED ON INDUSTRY STD
 - KEY ID, "*" IS A CAPITAL LETTER PER THE PART NO.
 - THE PIN NO. DEFINITIONS ARE ACCORDING TO PCB FOOTPRINT, THE ACTUAL PIN QUANTITY IS ONLY 67 POS. FOR KEY TAKING OUT 8 POS.
 - THE PRODUCT IS RoHS COMPLIANT, BR 900PPM MAX., CL 900PPM MAX. BR+CL 1500 PPM MAX.
 - MINUS MEANS ϕ OF KEY IS ON THE RIGHT SIDE OF CONN. ϕ IN PAGE 1.

THIS DRAWING IS A CONTROLLED DOCUMENT.		DWN SIMON WU 90CT2012	 TE Connectivity Ltd.	
DIMENSIONS: mm		CHK SIMON LI 90CT2012		
TOLERANCES UNLESS OTHERWISE SPECIFIED:		APVD COREL WANG 90CT2012	NAME	
0 PLC ± 0.30 1 PLC ± 0.30 2 PLC ± 0.20 3 PLC ± 0.10 4 PLC ANGLES ± - ± 3°		PRODUCT SPEC	M.2(NGFF) MINI CARD MOUNTING TYPE 0.50mm PITCH 67 POS. 4.2mm HEIGHT FOR DOUBLE SIDED MODULE	
MATERIAL -		FINISH -	APPLICATION SPEC	RESTRICTED TO
		SEE TABLE	114-115006	SIZE
		WEIGHT 0.64 G	A3	CAGE CODE
		CUSTOMER DRAWING	00779	DRAWING NO
		SCALE 4:1	C-2199230	SHEET 1 OF 4
				REV B3

THIS DRAWING IS UNPUBLISHED.

RELEASED FOR PUBLICATION

-. - .


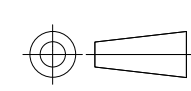
REVISIONS

© COPYRIGHT - By - ALL RIGHTS RESERVED.

P	LTR	DESCRIPTION	DATE	DWN	APVD
-	-	SEE SHEET 1	-	-	-

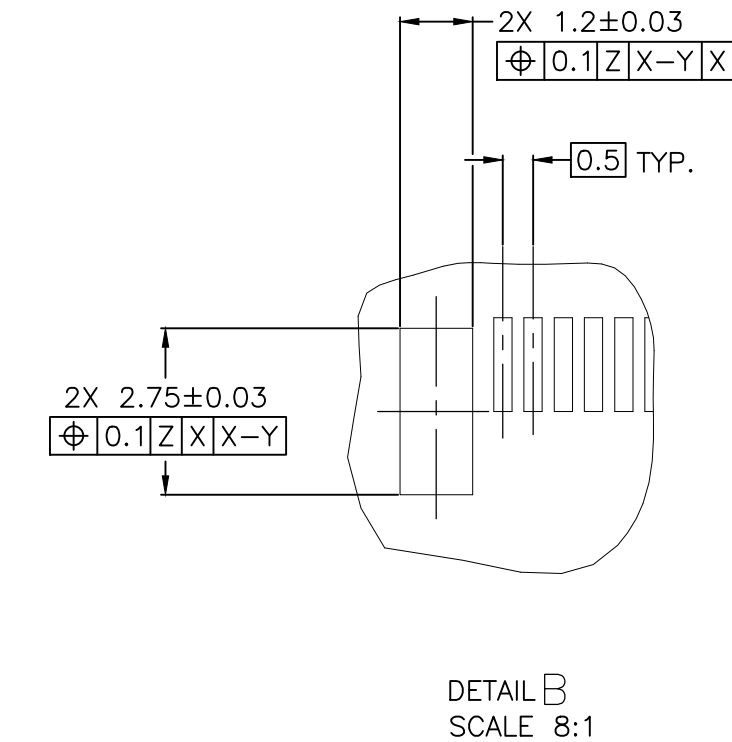
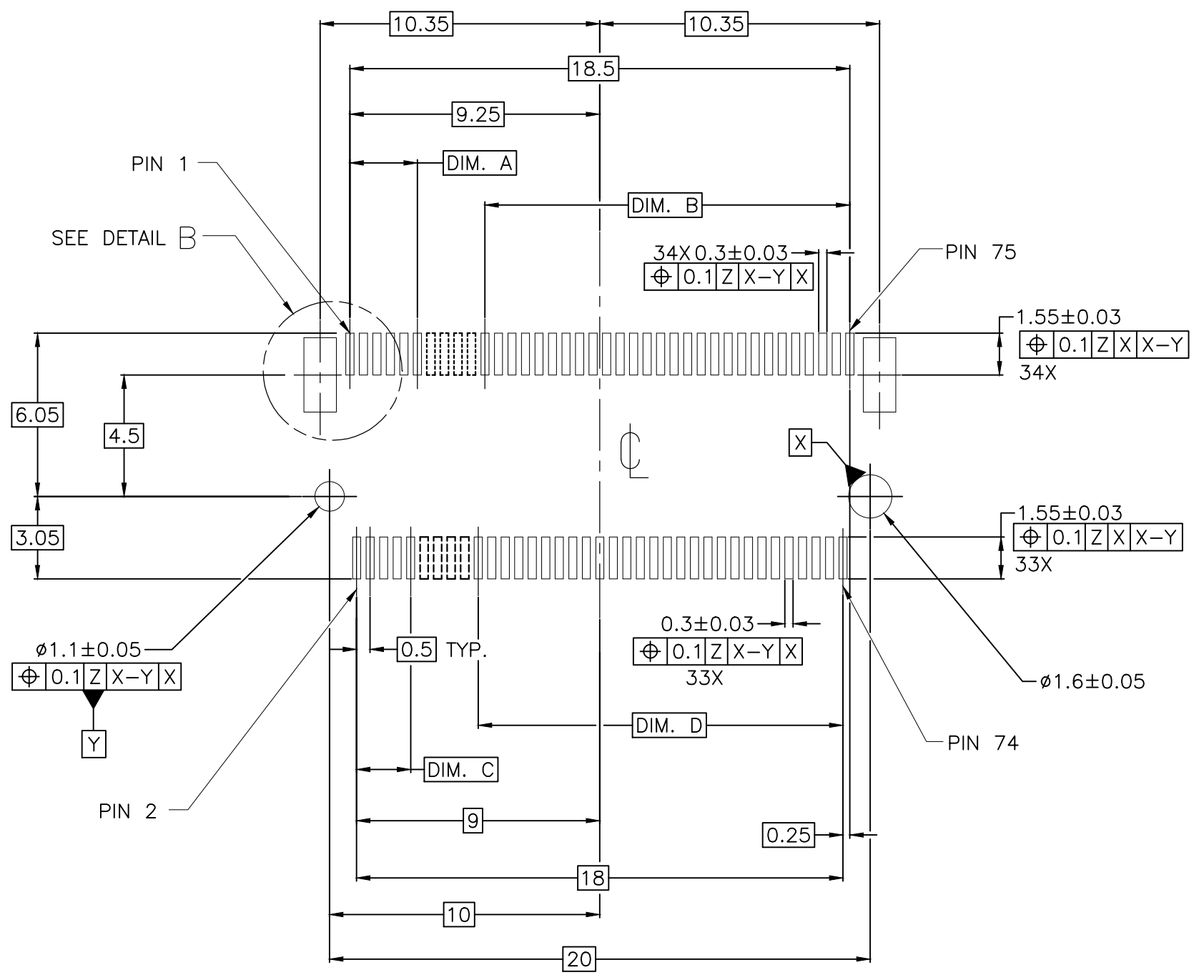


KEY ID.	PRODUCT SPEC.	GOLD SPEC.	DIM. G	DIM. F	DIM. E	DIM. D	DIM. C	DIM. B	DIM. A	PART NO.				
M	108-115042	50u" MIN.	1.125	1.375	-6.125	1.5	14.0	2.0	14.0	1-2199230-7				
		30u" MIN.								1-2199230-6				
		15u" MIN.								1-2199230-5				
		10u" MIN.								1-2199230-4				
	108-115049	GOLD FLASH								1-2199230-3				
A	108-115042	10u" MIN.			6.625	14.5	1.0	14.5	1.5	1-2199230-2				
E					2.625					10.5	5.0	10.5	5.5	1-2199230-1
B					5.625					13.5	2.0	13.5	2.5	1-2199230-0
A	108-115042	30u" MIN.	1.375	1.125	6.625	14.5	1.0	14.5	1.5	2199230-9				
		15u" MIN.								2199230-8				
	108-115049	GOLD FLASH								2199230-7				
E	108-115042	30u" MIN.			2.625	10.5	5.0	10.5	5.5	2199230-6				
B					5.625					13.5	2.0	13.5	2.5	2199230-5
E					2.625					10.5	5.0	10.5	5.5	2199230-4
B					5.625					13.5	2.0	13.5	2.5	2199230-3
E	108-115042	15u" MIN.			2.625	10.5	5.0	10.5	5.5	2199230-2				
B					5.625					13.5	2.0	13.5	2.5	2199230-1
	108-115049	GOLD FLASH								2199230-1				

THIS DRAWING IS A CONTROLLED DOCUMENT.		DWN SIMON WU 90CT2012	 TE Connectivity Ltd.	
		CHK SIMON LI 90CT2012		
DIMENSIONS: mm 		TOLERANCES UNLESS OTHERWISE SPECIFIED: 0 PLC ± 0.30 1 PLC ± 0.30 2 PLC ± 0.20 3 PLC ± 0.10 4 PLC ± - ANGLES ± 3°		NAME M.2(NGFF) MINI CARD MOUNTING TYPE 0.50mm PITCH 67 POS. 4.2mm HEIGHT FOR DOUBLE SIDED MODULE
MATERIAL		FINISH		SIZE A3
				CAGE CODE 00779
				DRAWING NO C-2199230
				RESTRICTED TO -
CUSTOMER DRAWING			SCALE 4:1	SHEET 2 of 4
			REV B3	


THIS DRAWING IS UNPUBLISHED. RELEASED FOR PUBLICATION
 © COPYRIGHT - By - ALL RIGHTS RESERVED.

REVISIONS				
P	LTR	DESCRIPTION	DATE	APVD
-	-	SEE SHEET 1	-	-



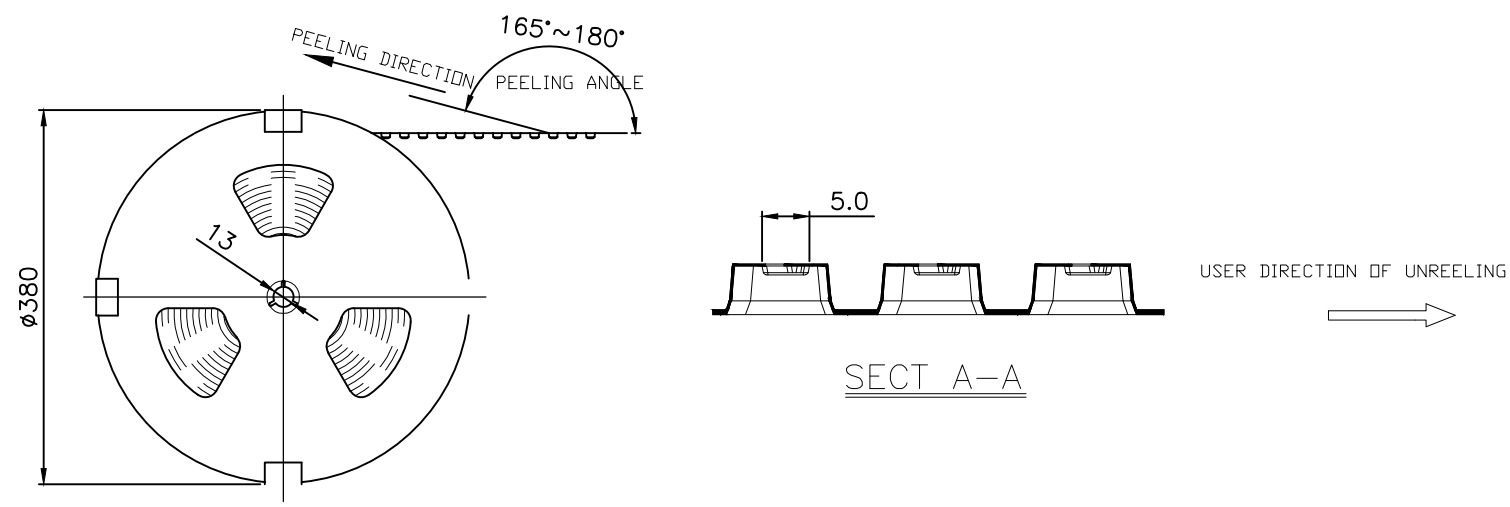
RECOMMENDED NGFF MINI CARD MOUNTING TYPE_SMT_PCB OUTLINE
 DATUM Z: PCB SOLDER SURFACE

M	1.5	14.0	2.0	14.0
E	10.5	5.0	10.5	5.5
B	13.5	2.0	13.5	2.5
A	14.5	1.0	14.5	1.5
KEY ID.	DIM. D	DIM. C	DIM. B	DIM. A

THIS DRAWING IS A CONTROLLED DOCUMENT.		DWN SIMON_WU 90CT2012	 TE Connectivity Ltd.	
DIMENSIONS: mm		CHK SIMON_LI 90CT2012		
TOLERANCES UNLESS OTHERWISE SPECIFIED:		APVD COREL_WANG 90CT2012	NAME M.2(NGFF) MINI CARD MOUNTING TYPE 0.50mm PITCH 67 POS. 4.2mm HEIGHT FOR DOUBLE SIDED MODULE	
0 PLC ± 0.30 1 PLC ± 0.30 2 PLC ± 0.20 3 PLC ± 0.10 4 PLC ± - ANGLES ± 3°		PRODUCT SPEC	SIZE A3	
MATERIAL		APPLICATION SPEC	CAGE CODE 00779	DRAWING NO C-2199230
FINISH		WEIGHT	RESTRICTED TO	
		CUSTOMER DRAWING	SCALE 5:1	SHEET 3 OF 4
			REV B3	

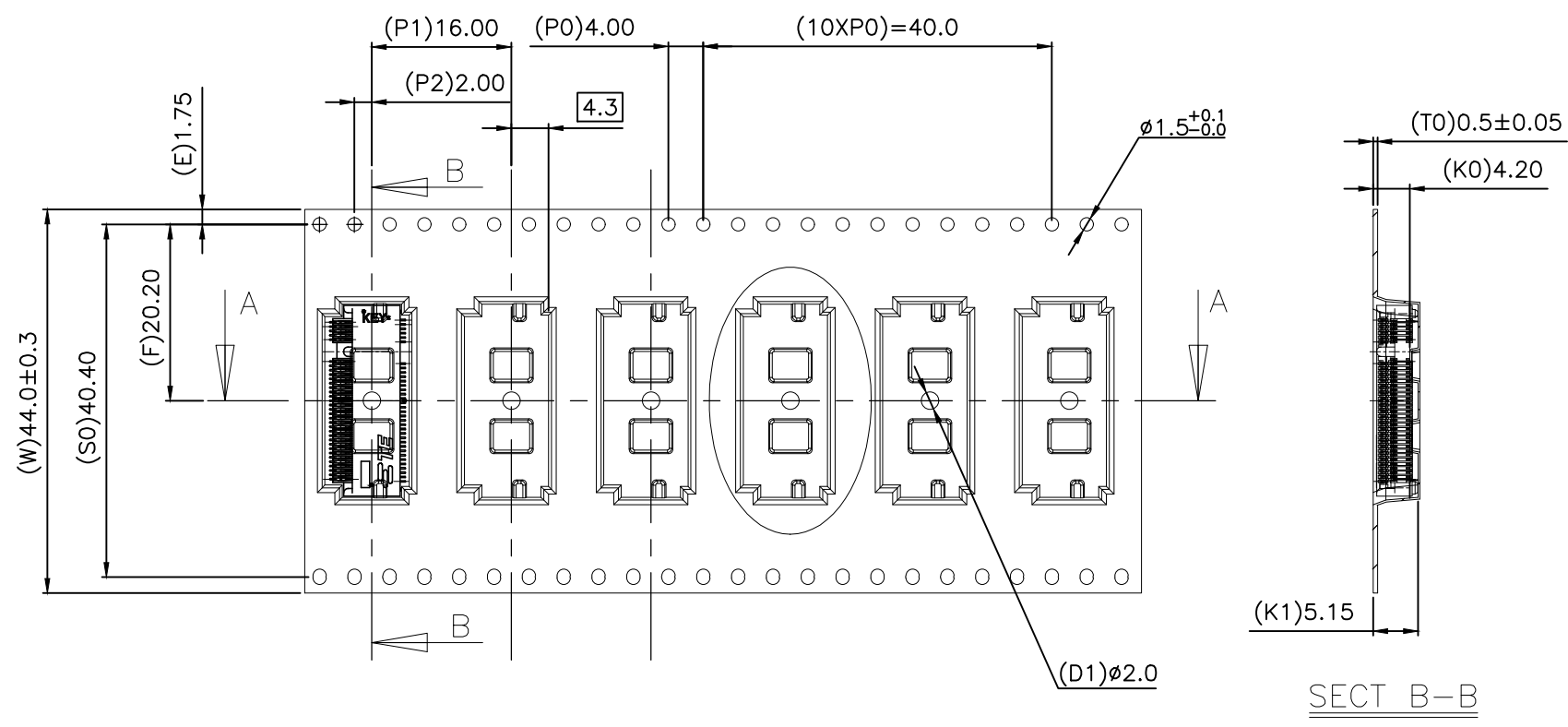
THIS DRAWING IS UNPUBLISHED. RELEASED FOR PUBLICATION
 © COPYRIGHT - By - ALL RIGHTS RESERVED.

REVISIONS					
P	LTR	DESCRIPTION	DATE	DWN	APVD
-	-	SEE SHEET 1	-	-	-



NOTES: (APPLIED TO CURRENT SHEET)

1. THE DIRECTION OF EACH CONNECTOR ON A EMBOSS IS REFERRED TO THIS DRAWING.
2. GENERAL TOLERANCE: ± 0.5 , $\pm 3^\circ$
3. PACKAGED IN EMBOSS TAPE AND PLASTIC RELL 1000PCS PER REEL.



THIS DRAWING IS A CONTROLLED DOCUMENT.		DWN SIMON WU 90CT2012	TE Connectivity Ltd.											
DIMENSIONS: mm		CHK SIMON LI 90CT2012												
TOLERANCES UNLESS OTHERWISE SPECIFIED:		APVD COREL WANG 90CT2012												
<table border="0"> <tr><td>0 PLC</td><td>± 0.30</td></tr> <tr><td>1 PLC</td><td>± 0.30</td></tr> <tr><td>2 PLC</td><td>± 0.20</td></tr> <tr><td>3 PLC</td><td>± 0.10</td></tr> <tr><td>4 PLC</td><td>± -</td></tr> <tr><td>ANGLES</td><td>± 3°</td></tr> </table>		0 PLC				± 0.30	1 PLC	± 0.30	2 PLC	± 0.20	3 PLC	± 0.10	4 PLC	± -
0 PLC	± 0.30													
1 PLC	± 0.30													
2 PLC	± 0.20													
3 PLC	± 0.10													
4 PLC	± -													
ANGLES	± 3°													
MATERIAL		FINISH	M.2(NGFF) MINI CARD MOUNTING TYPE 0.50mm PITCH 67 POS. 4.2mm HEIGHT FOR DOUBLE SIDED MODULE											
-		-	SIZE	CAGE CODE	DRAWING NO	RESTRICTED TO								
-		-	A3	00779	C-2199230	-								
CUSTOMER DRAWING			SCALE	SHEET	REV									
-			N/A	4 OF 4	B3									