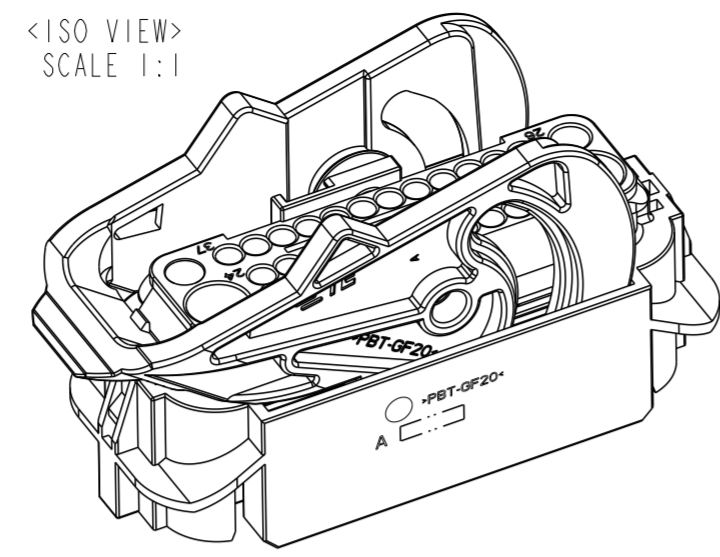
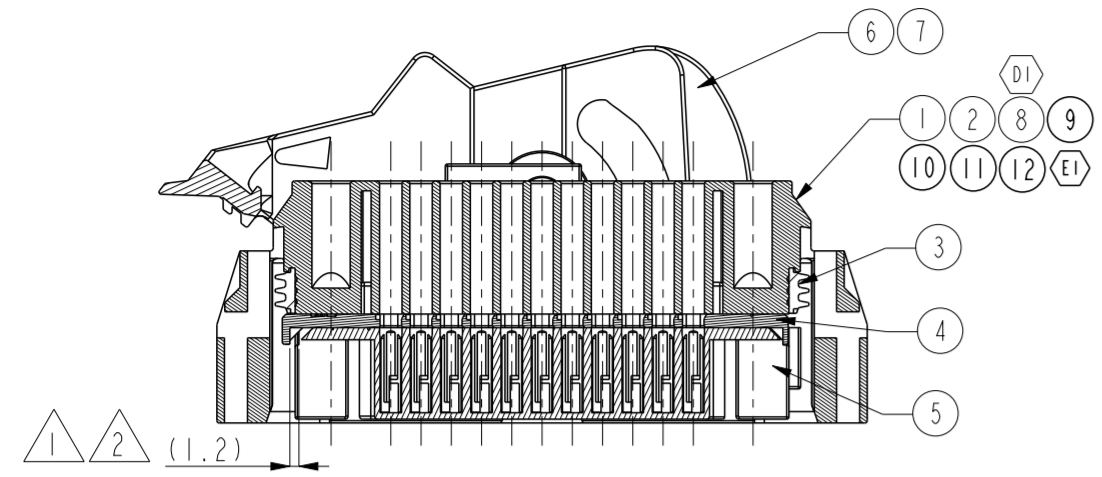


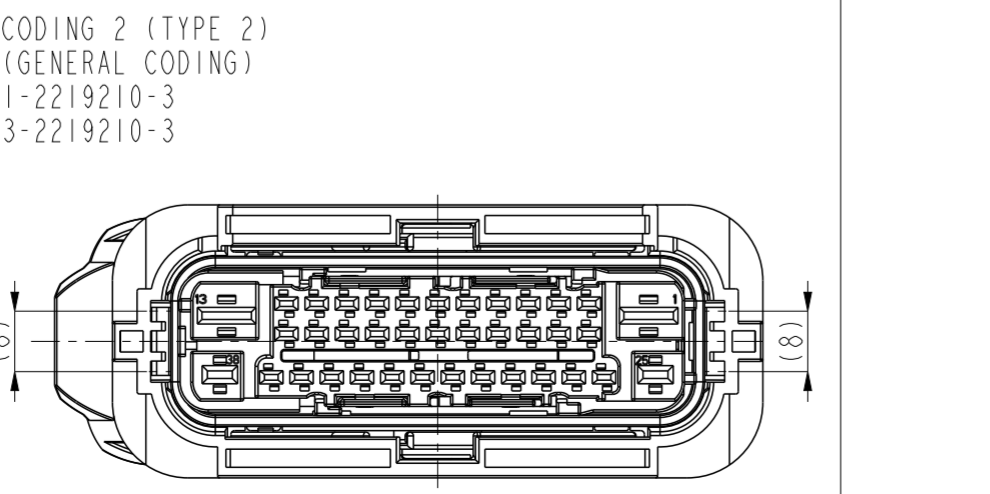
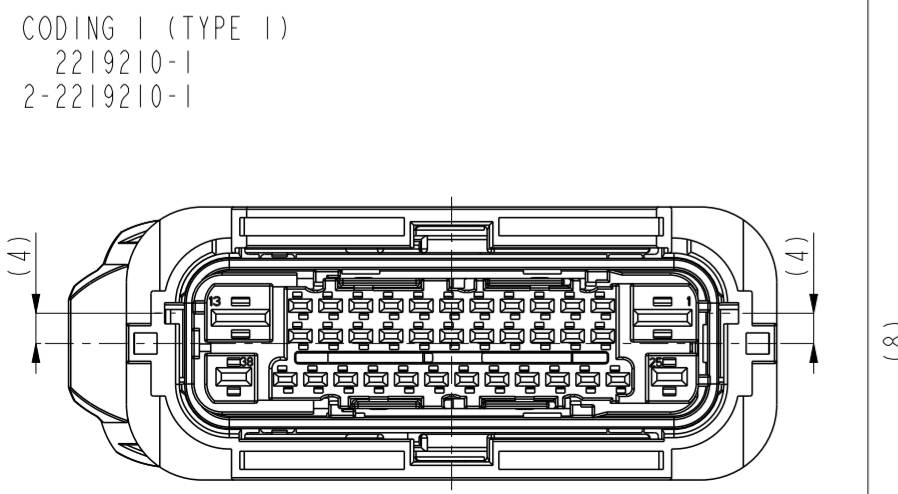
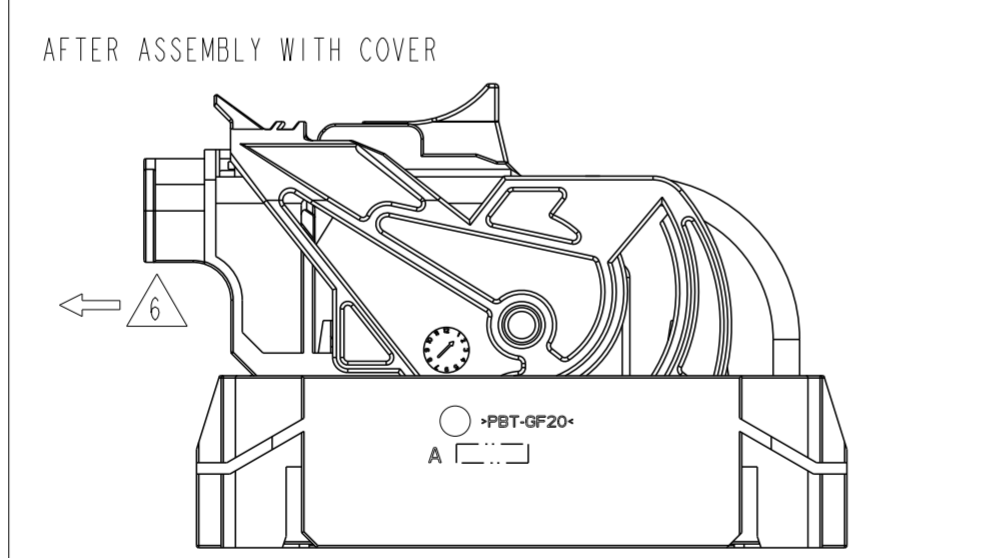
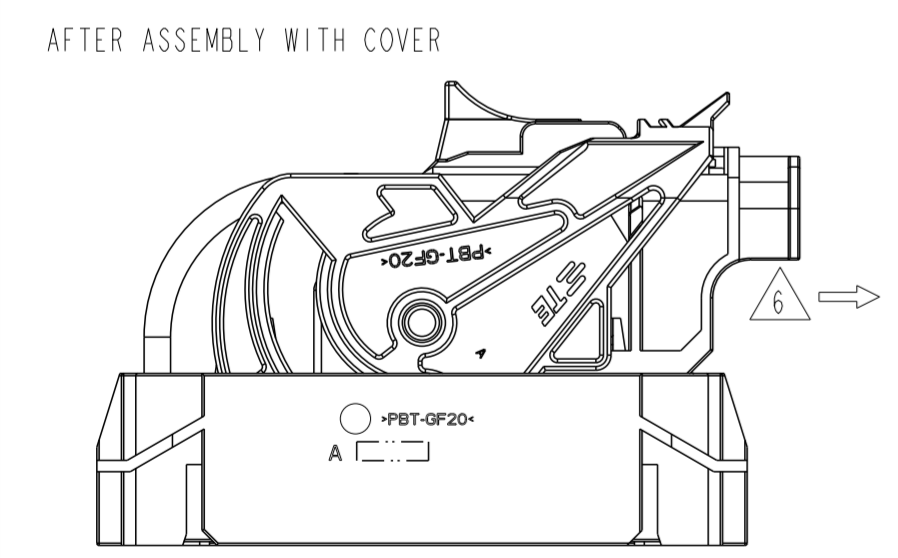
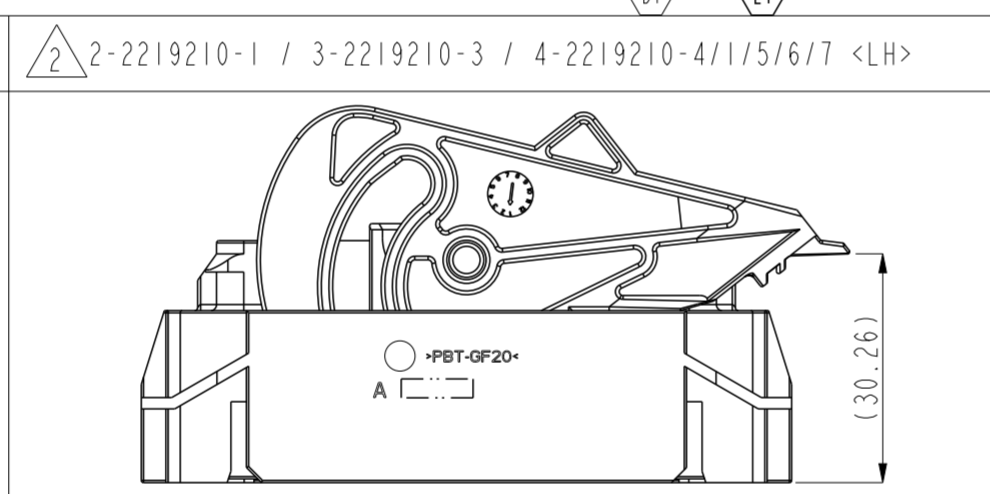
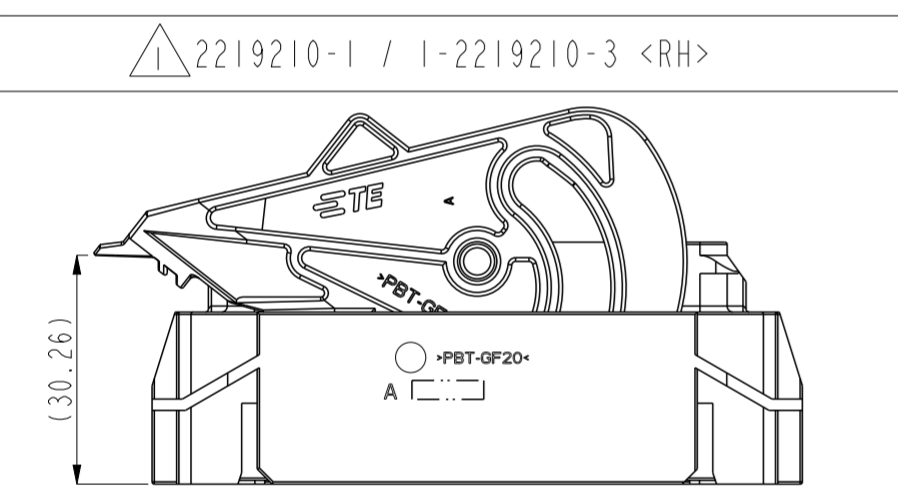
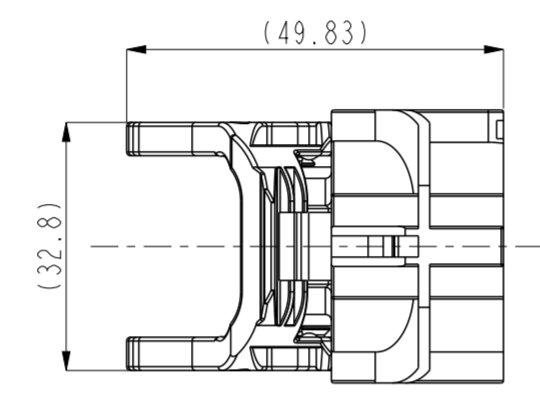
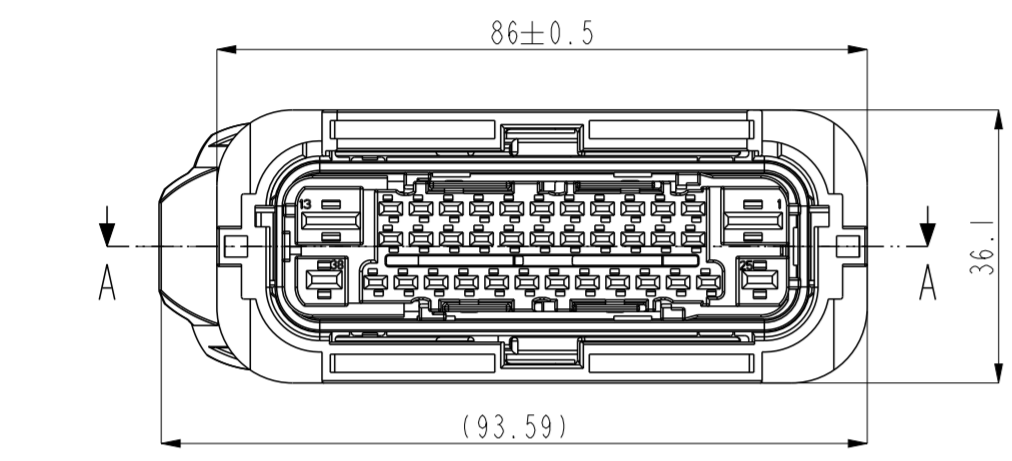
© 2022 TE Connectivity. All Rights Reserved.

<ISO VIEW>  
SCALE 1:1



TE ORDER NO	WIRE RANGE (MM²)	INSULATION DIA(MM)	FINISH	TE ORDER NO	INSULATION DIA(MM)	TE ORDER NO
1241380-1	0.5-1.0	1.4-2.1	TIN PLATED	964972-1	1.9-2.4	963531-1
				963530-1	1.4-1.9	1394132-1
1241378-1	0.3-0.35	1.1-1.4	TIN PLATED	964971-1	1.2-1.6	
STRIP FORM				SINGLE WIRE SEAL		SEALING PLUG
RECOMMENDED CONTACT SYSTEM:AMP MCP 1.5K						
1241396-1	>1.0-2.5	2.2-3.0	TIN PLATED	963292-1	2.7-3.0	828922-1 828922-2
				963293-1	2.0-2.7	
1241394-1	0.5-1.0	1.4-2.7	TIN PLATED	963293-1	2.0-2.7	
1241392-1	0.3-0.35	1.1-1.4	TIN PLATED	963294-1	1.2-2.1	
1241392-1	0.3-0.35	1.1-1.4	TIN PLATED	963294-1	1.2-2.1	
STRIP FORM				SINGLE WIRE SEAL		SEALING PLUG
RECOMMENDED CONTACT SYSTEM:AMP MCP 2.8K						
1241416-1	>2.5-4.0	3.4-4.5	TIN PLATED	1719043-1	4.0-4.5	-
				1394512-1	3.4-3.9	
1241414-1	>1.0-2.5	2.2-3.7	TIN PLATED	1823111-1	2.7-3.0	
				1394511-1	2.0-2.7	
1241412-1	0.5-1.0	1.4-2.7	TIN PLATED	1394511-1	2.0-2.7	
				2177018-1	1.2-2.0	
1241410-1	0.3-0.5	1.1-2.3	TIN PLATED	1394511-1	2.0-2.7	
				2177018-1	1.2-2.0	
STRIP FORM				SINGLE WIRE SEAL		REMARK
RECOMMENDED CONTACT SYSTEM : AMP MCP 6.3/4.8K						

REVISIONS					
P	LTR	DESCRIPTION	DATE	DWN	APVD
D1		REVISED(ECR-20-017634)	15DEC2020	HJ	YJ
E		REVISED(ECR-20-016832)	26MAY2021	HJ	YJ
E1		REVISED(ECR-22-126102)	24JAN2022	SY	YJ
E2		REVISED(ECR-23-190148)	19OCT2023	SY	KT



NOTES

- 1 DELIVERY CONDITION 1: LEVER POSITION SAME WITH
- 2 DELIVERY CODINTION 2: LEVER POSITION SAME WITH
- 3 LEVER MUST ROTATE SMOOTHLY UNTIL LOCKING
- 4 APPLICABLE WITH X-2219215-X(HYB SEALED 38POS COVER ASSEMBLY)
- 5 GENERAL TOLERANCE : ±0.3, ±3°
- 6 WIRE DERIECTION

NO	COLOR / FINISH	MATERIAL	DESCRIPTION	QT'Y	QT'Y	QT'Y	QT'Y	QT'Y	QT'Y	QT'Y	QT'Y	QT'Y
12	GREEN	PBT-GF20	MAIN BODY HOUSING(TYPE 2)	1	-	-	-	-	-	-	-	-
11	RED	PBT-GF20	MAIN BODY HOUSING(TYPE 2)	-	1	-	-	-	-	-	-	-
10	YELLOW	PBT-GF20	MAIN BODY HOUSING(TYPE 2)	-	-	1	-	-	-	-	-	-
9	NATURAL	PBT-GF20	MAIN BODY HOUSING(TYPE 2)	-	-	-	1	-	-	-	-	-
8	BROWN	PBT-GF20	MAIN BODY HOUSING(TYPE 2)	-	-	-	-	1	-	-	-	-
7	GRAY	PBT-GF20	LEVER(GRAY)	-	-	-	-	-	1	1	-	-
6	BLACK	PBT-GF20	LEVER(BLACK)	1	1	1	1	1	-	-	1	1
5	LIGHT GRAY	PBT-GF20	BLOCK HOUSING	1	1	1	1	1	1	1	1	1
4	PURPLE	PBT-GF20	DBL	1	1	1	1	1	1	1	1	1
3	ORANGE	MVQ	INNER SEAL	1	1	1	1	1	1	1	1	1
2	GRAY	PBT-GF20	MAIN BODY HOUSING(TYPE 2)	-	-	-	-	-	1	1	-	-
1	BLACK	PBT-GF20	MAIN BODY HOUSING(TYPE 1)	-	-	-	-	-	-	-	1	1

THIS DRAWING IS A CONTROLLED DOCUMENT.		DWN EW CHUN
DIMENSIONS: mm		CHK YD LEE
TOLERANCES UNLESS OTHERWISE SPECIFIED:		APVD YJ YOUN
0 PLC	±	PRODUCT SPEC
1 PLC	±0.1	108-61230
2 PLC	±0.01	APPLICATION SPEC
3 PLC	±0.001	114-61069
4 PLC	±0.0001	WEIGHT
ANGLES	±	
FINISH		
SEE TABLE		

TE Connectivity

NAME: -

HYB SEALED 38POS PLUG ASSEMBLY

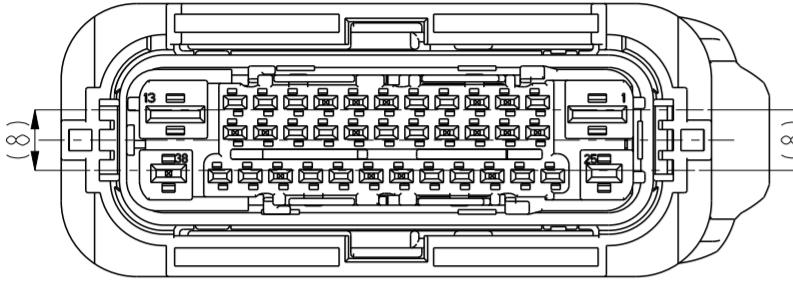
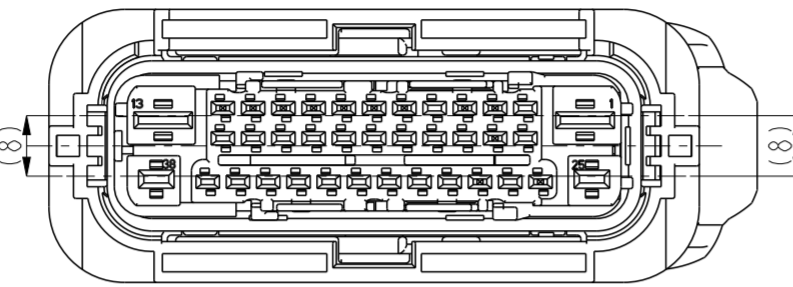
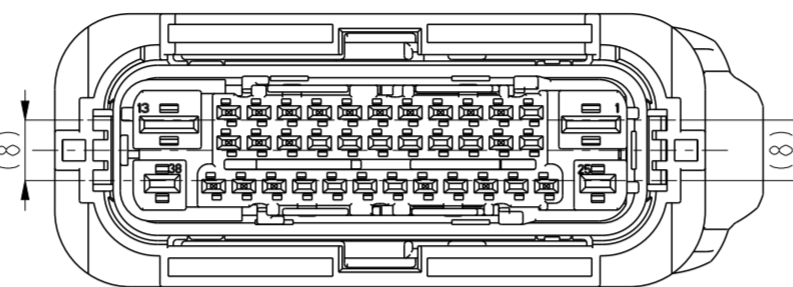
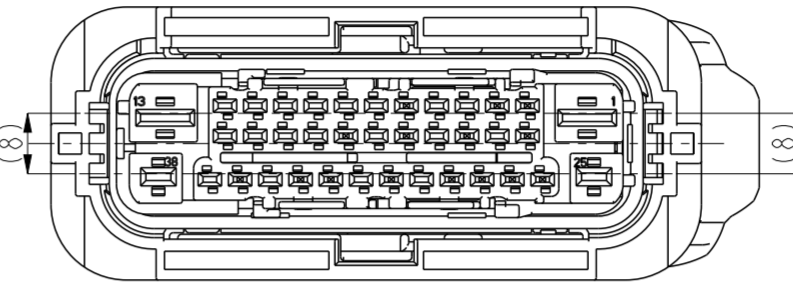
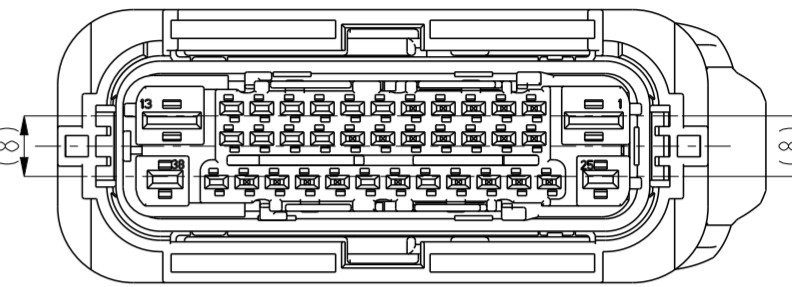
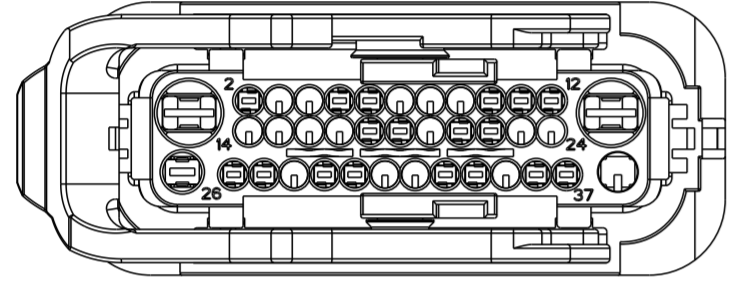
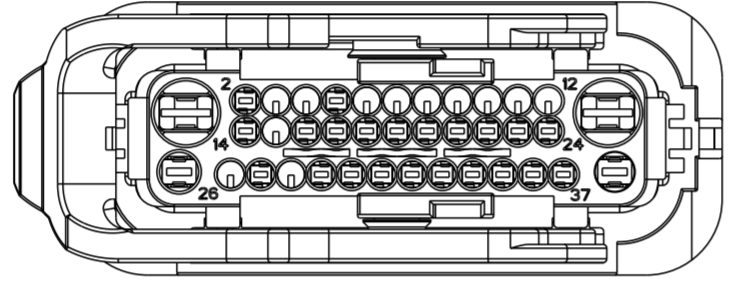
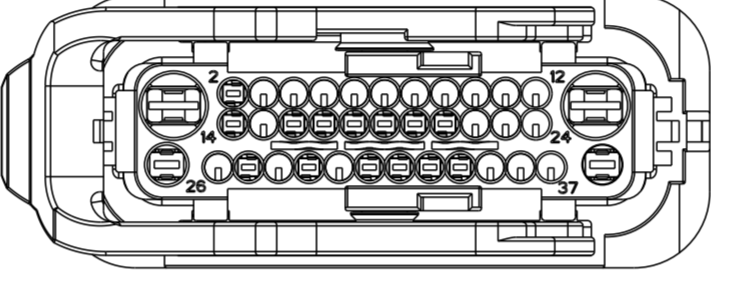
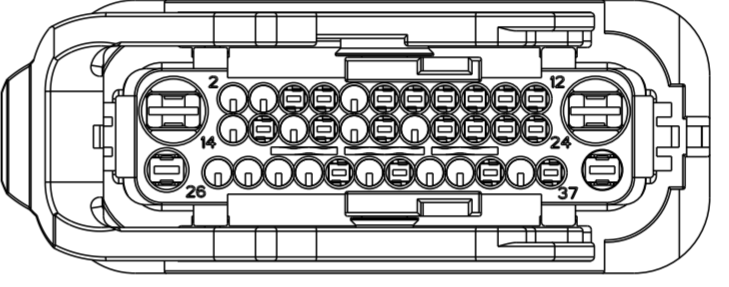
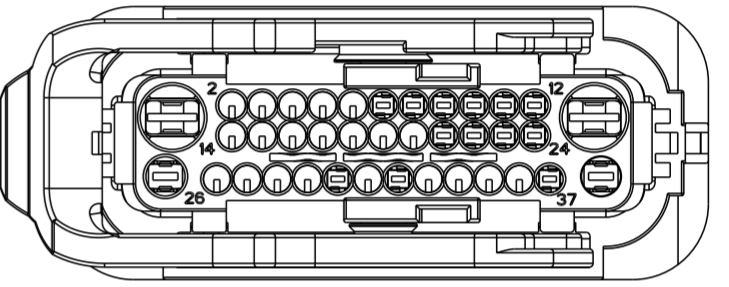
SIZE: A2 CAGE CODE: 00779 DRAWING NO: C-2219210 RESTRICTED TO: -

CUSTOMER DRAWING;RESTRICTED CUSTOMER SCALE: 1:1 SHEET: 1 OF 2 REV: E2

REVISIONS

P	LTR	DESCRIPTION	DATE	DWN	APVD
		SEE SHEET 1			

▶ Only clogging hole products

<p>CODING 2 (TYPE 2) : 4-2219210-4 <span style="border: 1px solid black; padding: 0 2px;">D1</span> (GENERAL CODING)</p> 	<p>CODING 2 (TYPE 2) : 4-2219210-1 <span style="border: 1px solid black; padding: 0 2px;">E1</span> (GENERAL CODING)</p> 	<p>CODING 2 (TYPE 2) : 4-2219210-5 <span style="border: 1px solid black; padding: 0 2px;">E1</span> (GENERAL CODING)</p> 	<p>CODING 2 (TYPE 2) : 4-2219210-6 <span style="border: 1px solid black; padding: 0 2px;">E1</span> (GENERAL CODING)</p> 	<p>CODING 2 (TYPE 2) : 4-2219210-7 <span style="border: 1px solid black; padding: 0 2px;">E1</span> (GENERAL CODING)</p> 
BOTTOM VIEW				
<p><span style="border: 1px solid black; padding: 0 2px;">E2</span></p> 	<p><span style="border: 1px solid black; padding: 0 2px;">E2</span></p> 			
TOP VIEW				

THIS DRAWING IS A CONTROLLED DOCUMENT.		DWN	-	<b>STE</b> TE Connectivity	
DIMENSIONS:		CHK	-		
mm		APVD	-		
TOLERANCES UNLESS OTHERWISE SPECIFIED:		NAME		HYB SEALED 38POS PLUG ASSEMBLY	
0 PLC ±-		PRODUCT SPEC		-	
1 PLC ±0.1		APPLICATION SPEC		-	
2 PLC ±0.01		SIZE		A2	
3 PLC ±0.001		CAGE CODE		00779	
4 PLC ±0.0001		DRAWING NO		C-2219210	
ANGLES ±-		RESTRICTED TO		-	
FINISH		WEIGHT		-	
SEE TABLE		CUSTOMER DRAWING; RESTRICTED CUSTOMER		SCALE	1:1
		SHEET		2	2
		REV		E2	